

A

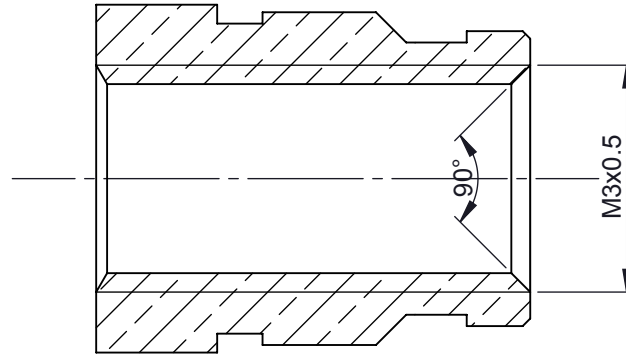
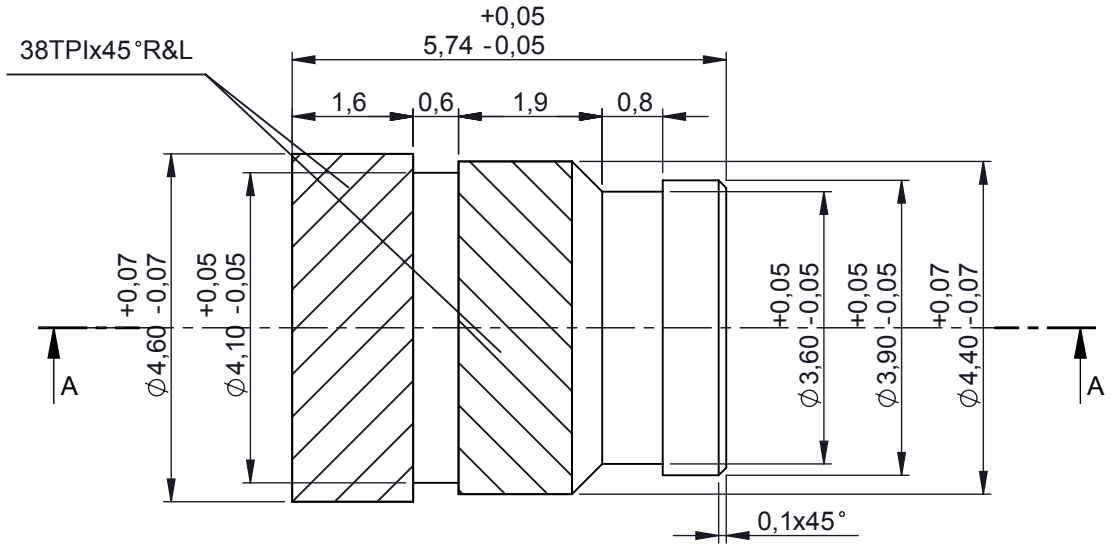
B

C


D

E

F



SECTION A-A

NAME	DATE	ARTICLE NO:	REVISION:	TITLE:
DRAWN Dursun Daşdemir	29.12.07			<b>M3x5.75 Brass Insert</b>
CHECKED Ali Altınışık	29.12.07	COMMENTS: DIMENSIONS ARE IN MILLIMETERS, DEBUR AND BREAK SHARP EDGES		
 <b>www.altinkaya.com.tr</b>		PROPRIETARY AND CONFIDENTIAL THE INFORMATION CONTAINED IN THIS DRAWING IS THE SOLE PROPERTY OF ALTINKAYA ENCLOSURES. ANY REPRODUCTION IN PART OR AS A WHOLE WITHOUT THE WRITTEN PERMISSION OF ALTINKAYA ENCLOSURES IS PROHIBITED.		DWG NO. <b>A-651-0-0-P-0-11296</b>
<b>MATERIAL: Brass RoHS compliant</b>		WEIGHT:	SCALE:10:1	SHEET 1 OF 1

A4

