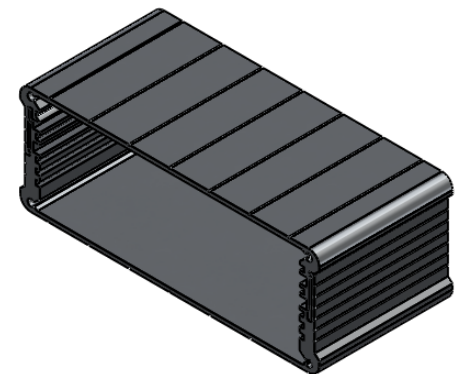
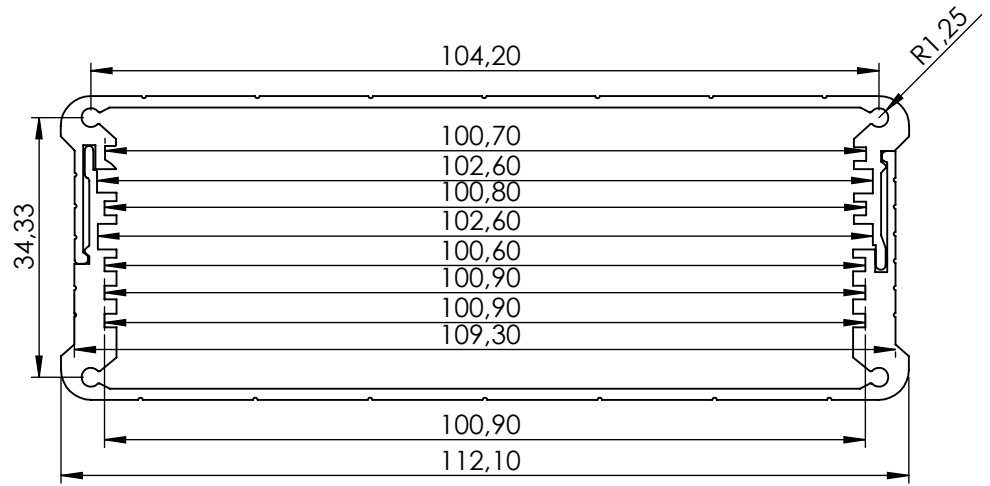



DETAIL B  
SCALE 2 : 1



|  |                 |      |   |           |              |
|--|-----------------|------|---|-----------|--------------|
|  | NAME            | DATE | ARTICLE NO:   | REVISION: | TITLE:       |
| DRAWN  | Dursun Daşdemir |      |   |           |              |
| CHECKED  | Ali Altınışık   |      | COMMENTS:   |           |              |
| <br><b>ALTINKAYA</b><br>ENCLOSURES FOR ELECTRONICS<br><a href="http://www.altinkaya.com.tr">www.altinkaya.com.tr</a><br>PROPRIETARY AND CONFIDENTIAL<br>THE INFORMATION CONTAINED IN THIS DRAWING IS THE SOLE PROPERTY OF ALTINKAYA ENCLOSURES. ANY REPRODUCTION IN PART OR AS A WHOLE WITHOUT THE WRITTEN PERMISSION OF ALTINKAYA ENCLOSURES IS PROHIBITED. |                 |      | DIMENSIONS ARE IN MILLIMETERS.<br>DEBUR AND BREAK SHARP EDGES |           |              |
|  |                 |      | DWG NO.   | AL-114    | A4           |
| MATERIAL:  |                 |      | WEIGHT:   | SCALE:1:1 | SHEET 1 OF 1 |