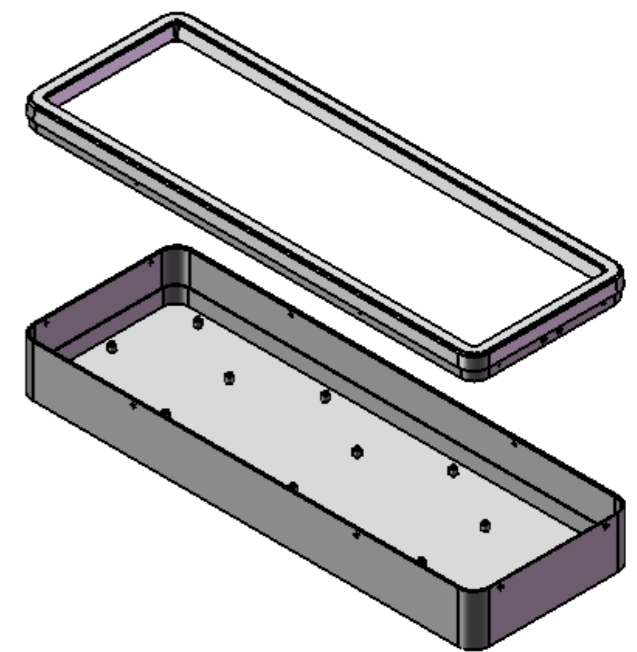
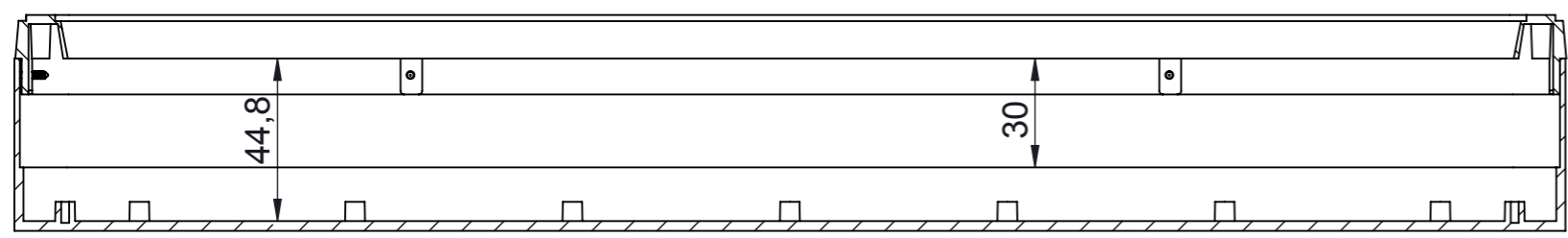

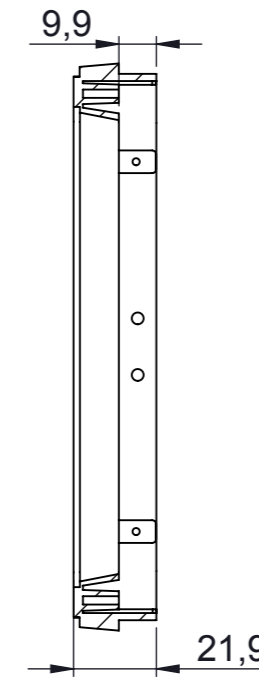
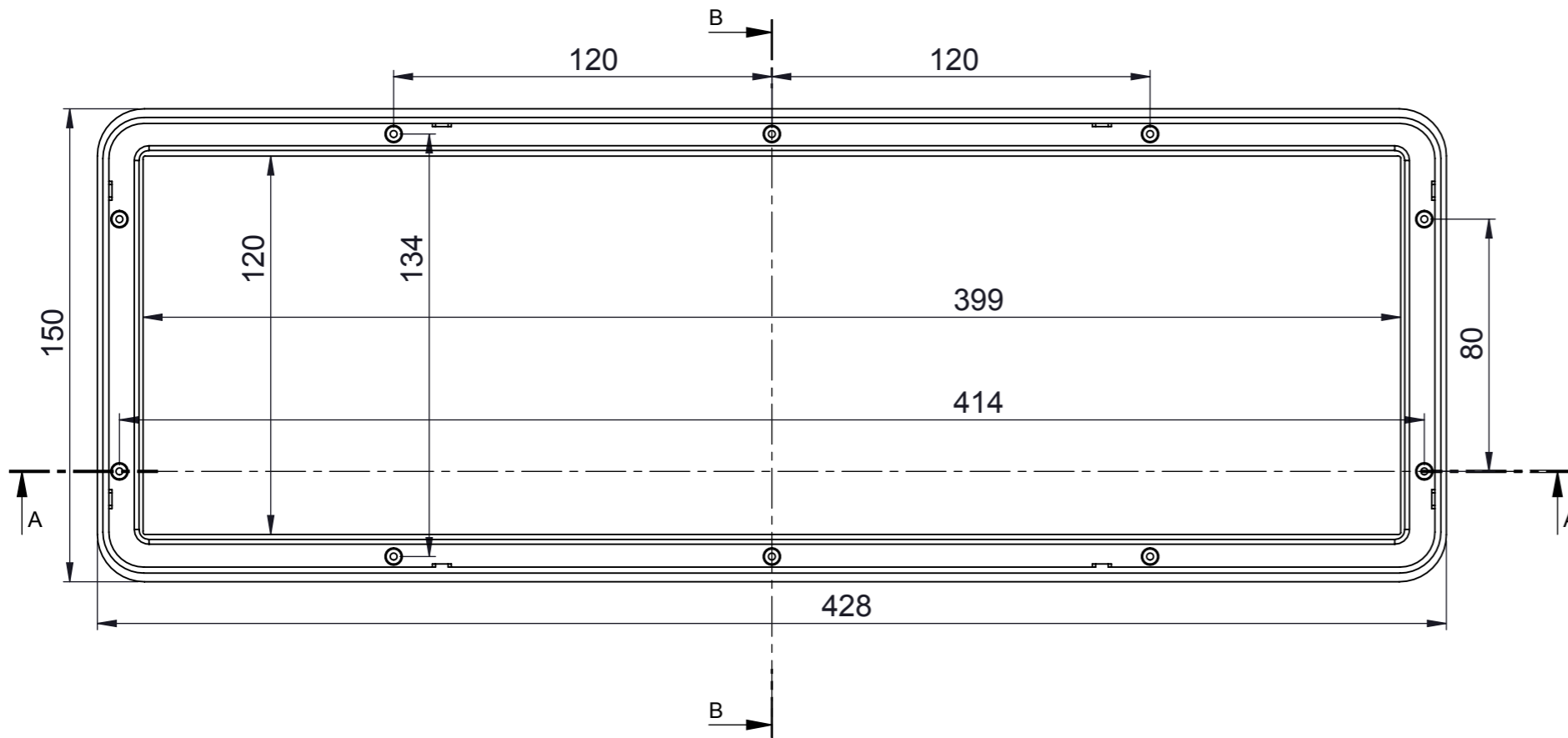


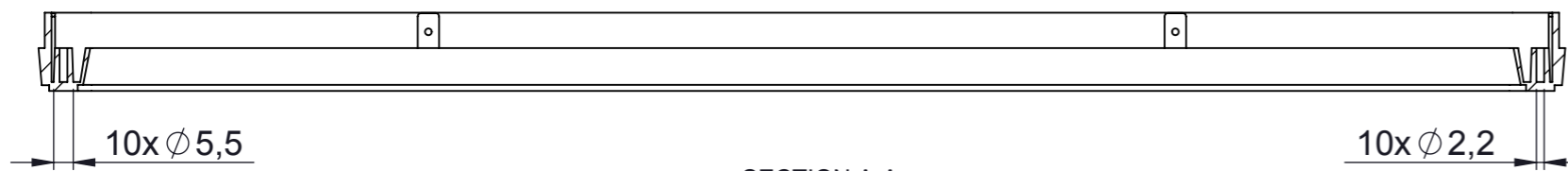
SECTION B-B
SCALE 1 : 2



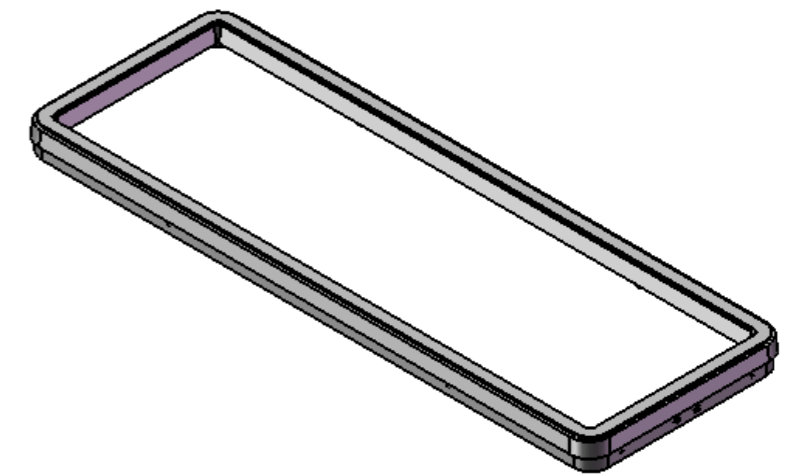
<small>PROPRIETARY AND CONFIDENTIAL THE INFORMATION CONTAINED IN THIS DRAWING IS THE SOLE PROPERTY OF ALTINKAYA ENCLOSURES. ANY REPRODUCTION IN PART OR AS A WHOLE WITHOUT THE WRITTEN PERMISSION OF ALTINKAYA ENCLOSURES IS PROHIBITED.</small>		ARTICLE NO:	REVISION:
<small>DRAWN</small> <small>CHECKED</small> <small>COMMENTS:</small>		 ALTINKAYA ENCLOSURES FOR ELECTRONICS	<small>CONTACT:</small> www.altinkaya.com.tr
<small>MATERIAL:</small>		<small>TITLE:</small> DE 140 Display Enclosure	
<small>WEIGHT:</small>		<small>DWG NO.</small> DE-140-B-0-G-0	<small>A3</small>
		<small>SCALE:1:2</small>	<small>SHEET 1 OF 1</small>




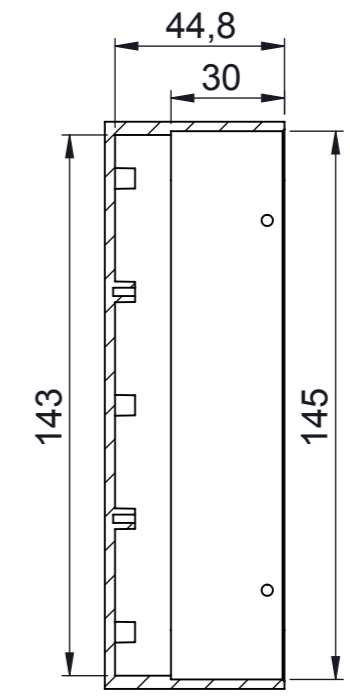
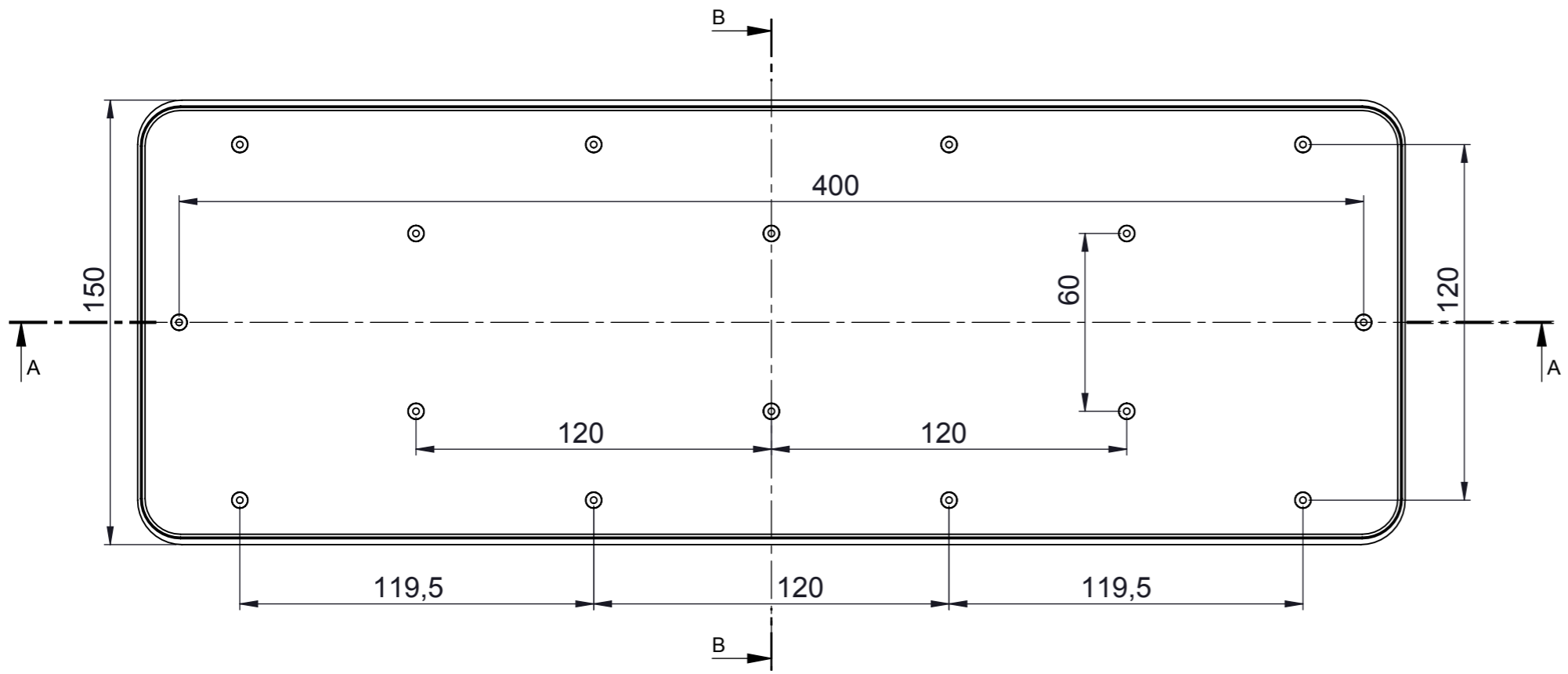
SECTION B-B
SCALE 1 : 2



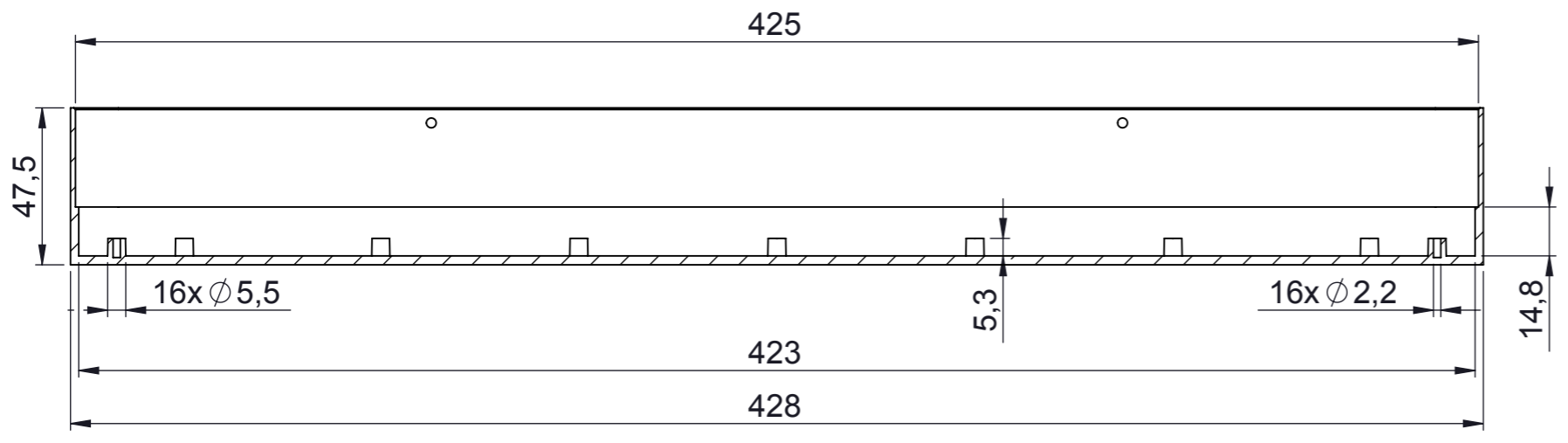
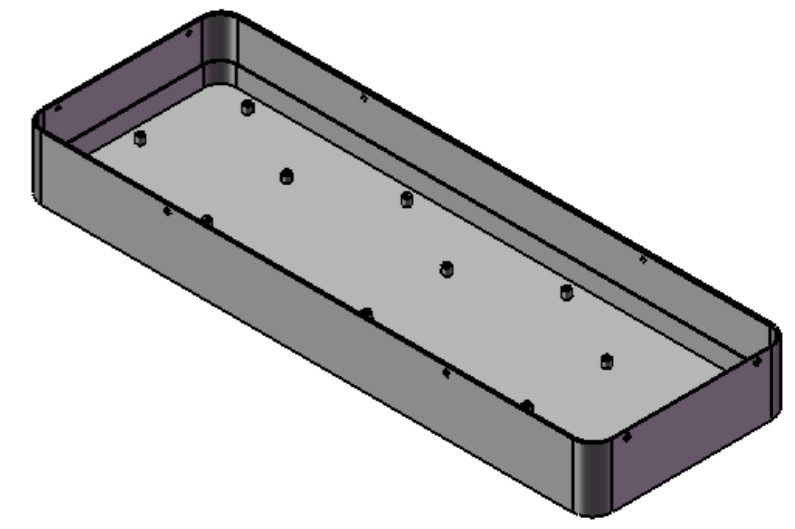
SECTION A-A
SCALE 1 : 2




<small>PROPRIETARY AND CONFIDENTIAL THE INFORMATION CONTAINED IN THIS DRAWING IS THE SOLE PROPERTY OF ALTINKAYA ENCLOSURES. ANY REPRODUCTION IN PART OR AS A WHOLE WITHOUT THE WRITTEN PERMISSION OF ALTINKAYA ENCLOSURES IS PROHIBITED.</small>		ARTICLE NO:	REVISION:
<small>DRAWN</small> <small>CHECKED</small> <small>COMMENTS:</small>		 ALTINKAYA ENCLOSURES FOR ELECTRONICS	<small>CONTACT:</small> www.altinkaya.com.tr
<small>MATERIAL:</small>		<h1>Frame</h1>	
<small>WEIGHT:</small>		<small>DWG NO.</small> <h2>DE-140-P-2-G-0</h2>	<small>A3</small>
		<small>SCALE:1:2</small>	<small>SHEET 1 OF 1</small>



SECTION B-B
SCALE 1 : 2



SECTION A-A
SCALE 1 : 2

<small>PROPRIETARY AND CONFIDENTIAL THE INFORMATION CONTAINED IN THIS DRAWING IS THE SOLE PROPERTY OF ALTINKAYA ENCLOSURES. ANY REPRODUCTION IN PART OR AS A WHOLE WITHOUT THE WRITTEN PERMISSION OF ALTINKAYA ENCLOSURES IS PROHIBITED.</small>		ARTICLE NO:	REVISION:
<small>DRAWN</small> <small>CHECKED</small> <small>COMMENTS:</small>		 ALTINKAYA ENCLOSURES FOR ELECTRONICS	CONTACT: www.altinkaya.com.tr
<small>MATERIAL:</small>		<h1>Body</h1>	
<small>WEIGHT:</small>		<small>DWG NO.</small> <h2>DE-140-P-1-G-0</h2>	<small>A3</small>
		<small>SCALE:1:2</small>	<small>SHEET 1 OF 1</small>