
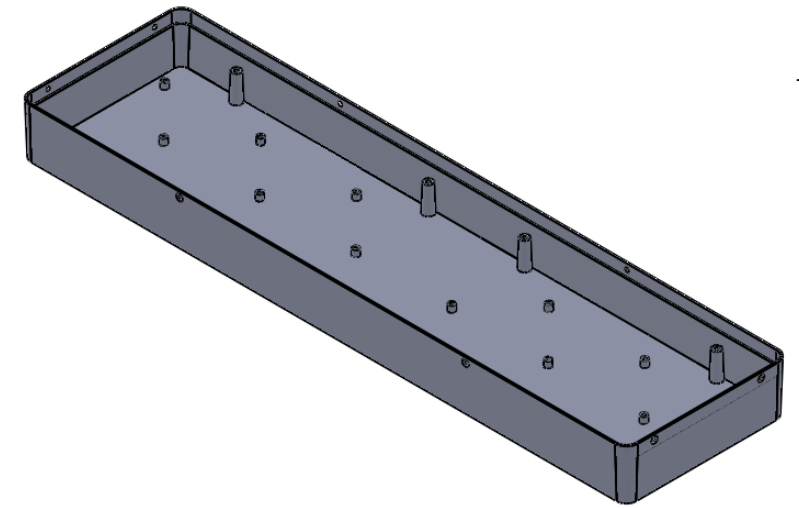
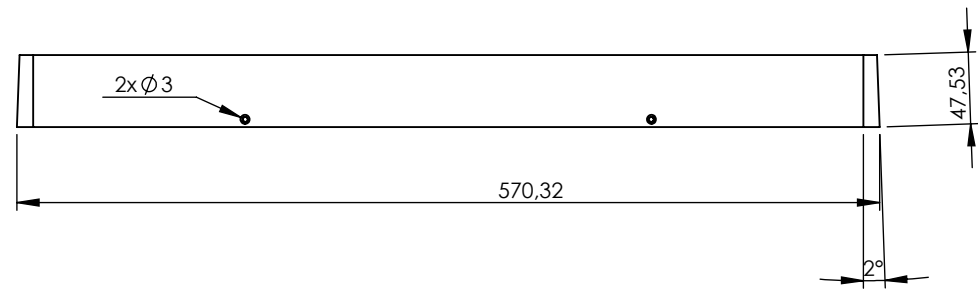
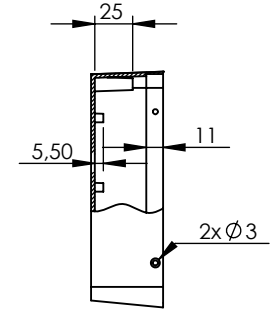
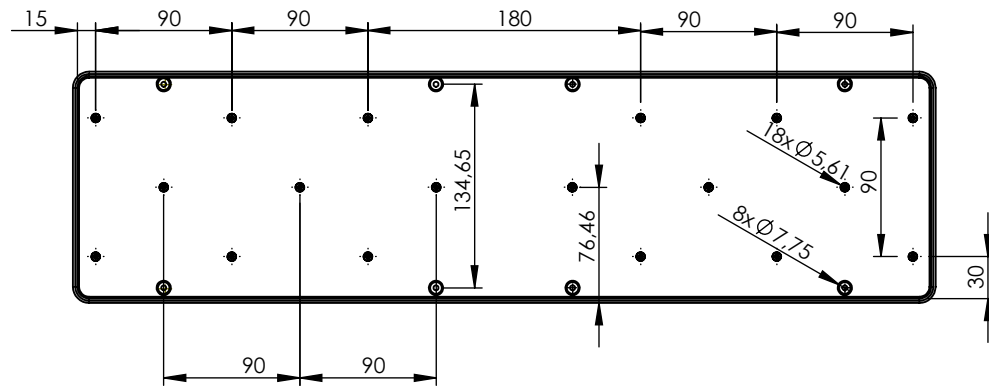

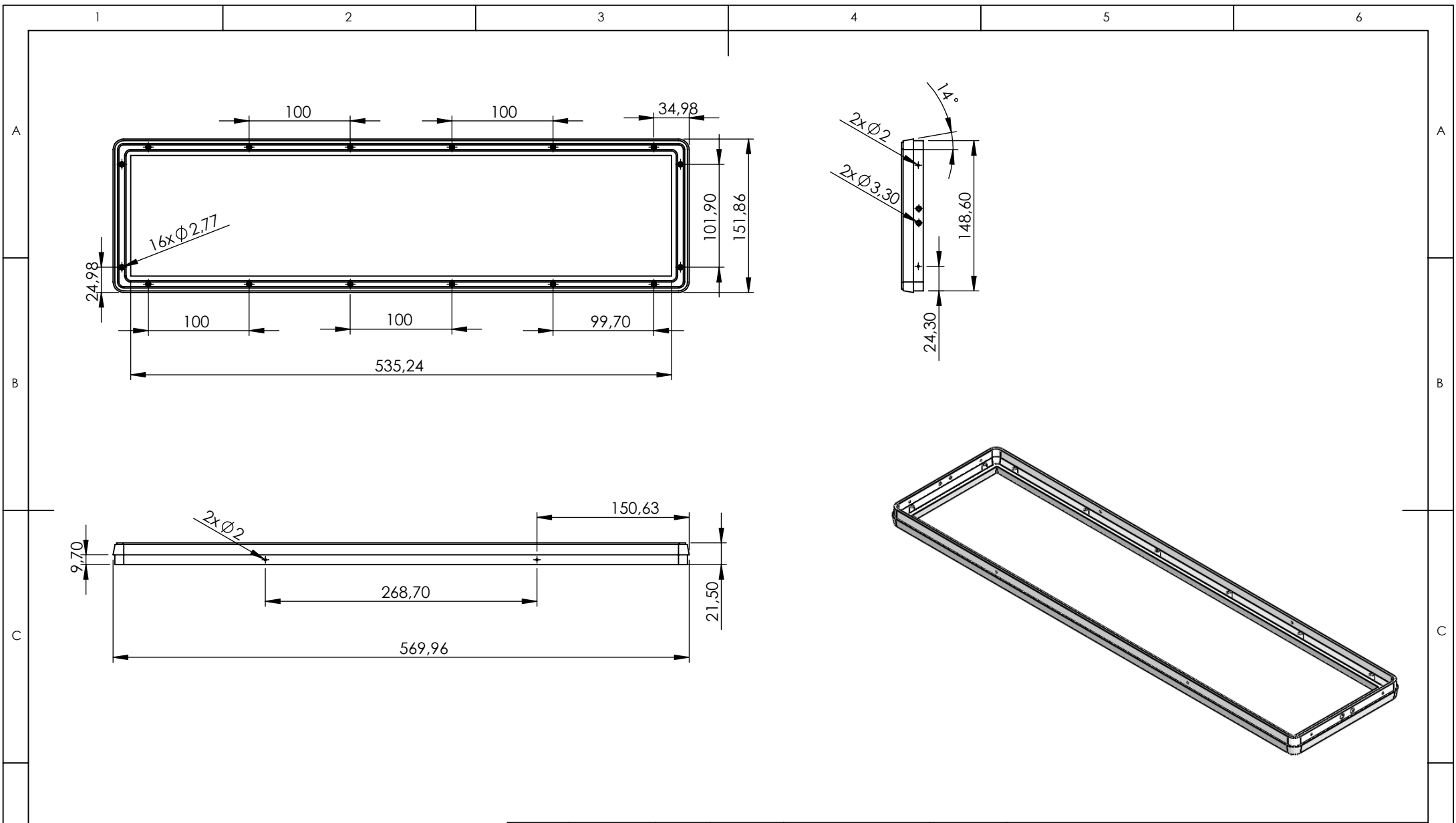



DETAIL A  
SCALE 1 : 2

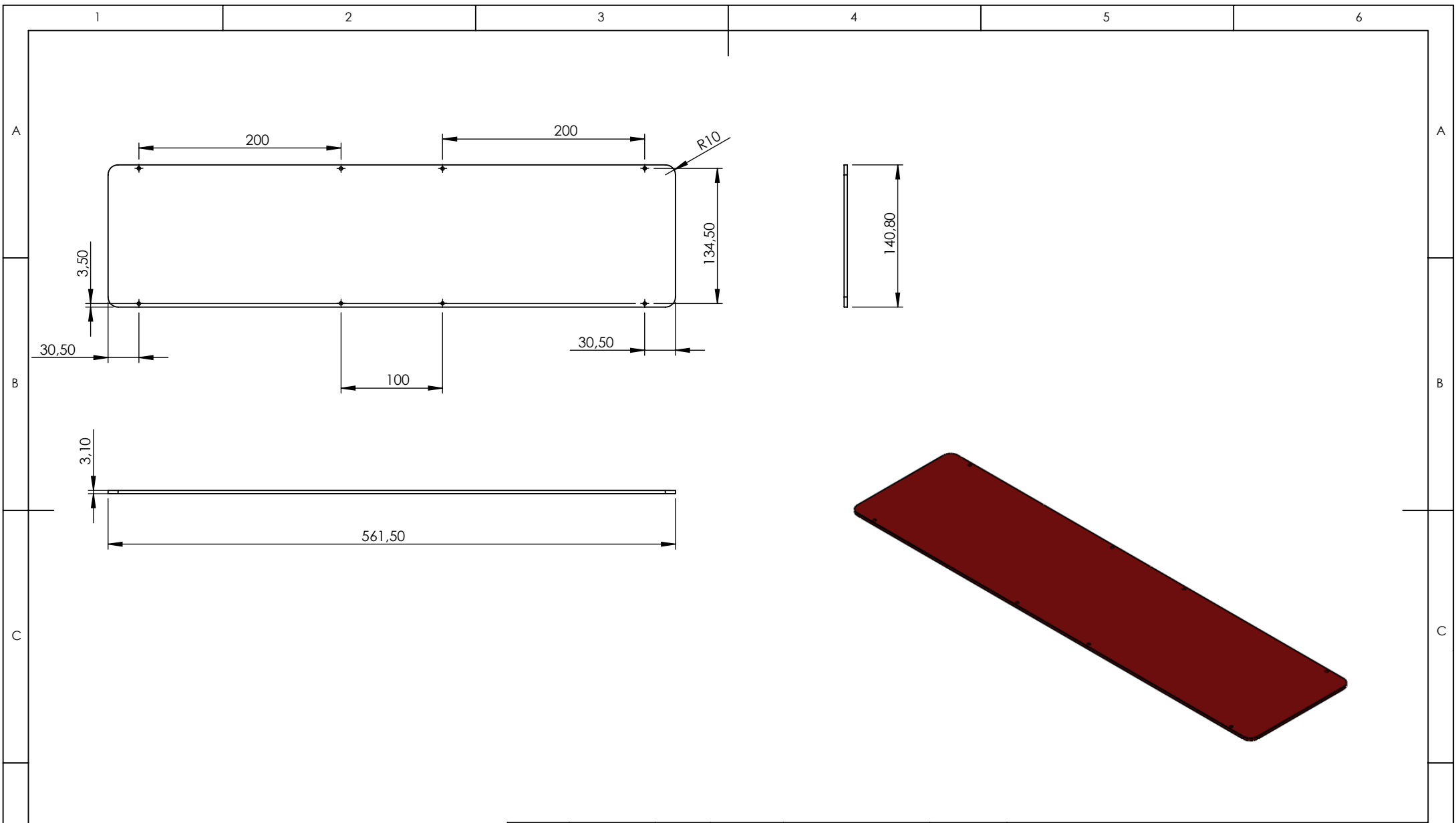
	NAME	DATE	ARTICLE NO:	REVISION:	TITLE:
DRAWN	Dursun CAN				
CHECKED	Ali Altınışık		COMMENTS:		
 <p><b>ALTINKAYA</b> ENCLOSURES FOR ELECTRONICS <a href="http://www.altinkaya.com.tr">www.altinkaya.com.tr</a></p>			<p>DIMENSIONS ARE IN MILLIMETERS. DEBUR AND BREAK SHARP EDGES</p>		
<p><b>PROPRIETARY AND CONFIDENTIAL</b> THE INFORMATION CONTAINED IN THIS DRAWING IS THE SOLE PROPERTY OF ALTINKAYA ENCLOSURES. ANY REPRODUCTION IN PART OR AS A WHOLE WITHOUT THE WRITTEN PERMISSION OF ALTINKAYA ENCLOSURES IS PROHIBITED.</p>			<p>DWG NO. <b>DE-170-Montaj</b></p>		A4
MATERIAL:			WEIGHT:		SCALE:1:5
					SHEET 1 OF 1




	NAME	DATE	ARTICLE NO:	REVISION:	TITLE:
DRAWN	Dursun CAN				
CHECKED	Ali Altınışık		COMMENTS: DIMENSIONS ARE IN MILLIMETERS. DEBUR AND BREAK SHARP EDGES		
 <b>ALTINKAYA</b> ENCLOSURES FOR ELECTRONICS <a href="http://www.altinkaya.com.tr">www.altinkaya.com.tr</a>			DWG NO.		A4
PROPRIETARY AND CONFIDENTIAL THE INFORMATION CONTAINED IN THIS DRAWING IS THE SOLE PROPERTY OF ALTINKAYA ENCLOSURES. ANY REPRODUCTION IN PART OR AS A WHOLE WITHOUT THE WRITTEN PERMISSION OF ALTINKAYA ENCLOSURES IS PROHIBITED.			DE-170-Govde		
MATERIAL:			WEIGHT:	SCALE:1:5	SHEET 1 OF 1



	NAME	DATE	ARTICLE NO:	REVISION:	TITLE:
DRAWN	Dursun CAN				
CHECKED	Ali Altınışık		COMMENTS: DIMENSIONS ARE IN MILLIMETERS. DEBUR AND BREAK SHARP EDGES		
 <b>ALTINKAYA</b> ENCLOSURES FOR ELECTRONICS <a href="http://www.altinkaya.com.tr">www.altinkaya.com.tr</a>			DWG NO.		A4
<small>PROPRIETARY AND CONFIDENTIAL</small> <small>THE INFORMATION CONTAINED IN THIS DRAWING IS THE SOLE PROPERTY OF ALTINKAYA ENCLOSURES. ANY REPRODUCTION IN PART OR AS A WHOLE WITHOUT THE WRITTEN PERMISSION OF ALTINKAYA ENCLOSURES IS PROHIBITED.</small>			DE-170-OnPanel		
MATERIAL:			WEIGHT:		SCALE:1:5
			SHEET 1 OF 1		



	NAME	DATE	ARTICLE NO:	REVISION:	TITLE:
DRAWN	Dursun CAN				
CHECKED	Ali Altınışık		COMMENTS:		
 <b>ALTINKAYA</b> ENCLOSURES FOR ELECTRONICS <a href="http://www.altinkaya.com.tr">www.altinkaya.com.tr</a>			DIMENSIONS ARE IN MILLIMETERS. DEBUR AND BREAK SHARP EDGES		
PROPRIETARY AND CONFIDENTIAL <small>THE INFORMATION CONTAINED IN THIS DRAWING IS THE SOLE PROPERTY OF ALTINKAYA ENCLOSURES. ANY REPRODUCTION IN PART OR AS A WHOLE WITHOUT THE WRITTEN PERMISSION OF ALTINKAYA ENCLOSURES IS PROHIBITED.</small>			DWG NO.		DE-170-Cam
			MATERIAL:	WEIGHT:	A4
				SCALE:1:5	SHEET 1 OF 1

