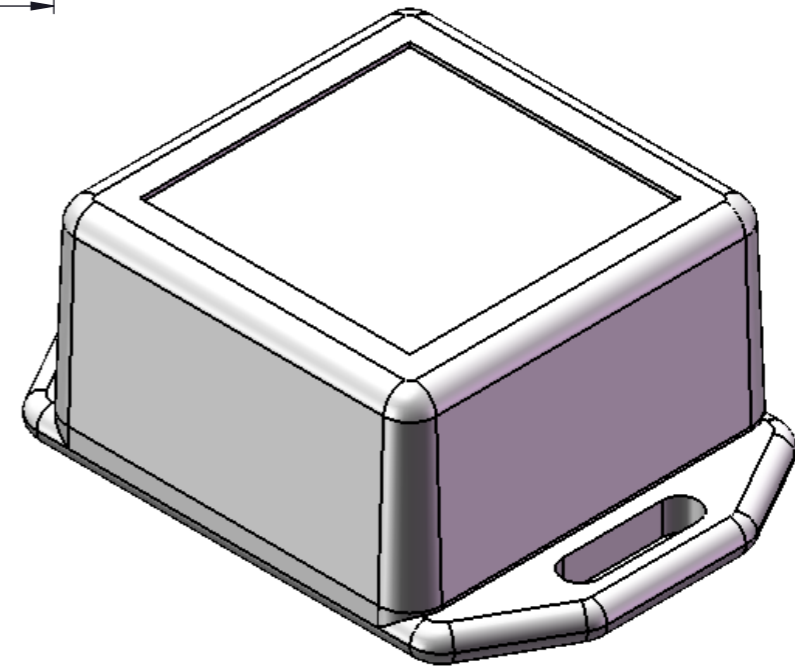

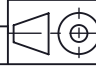
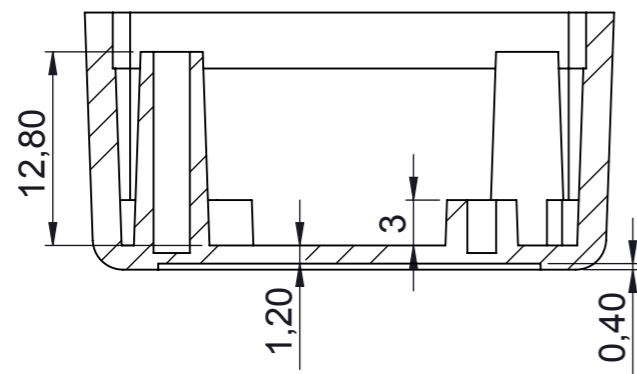
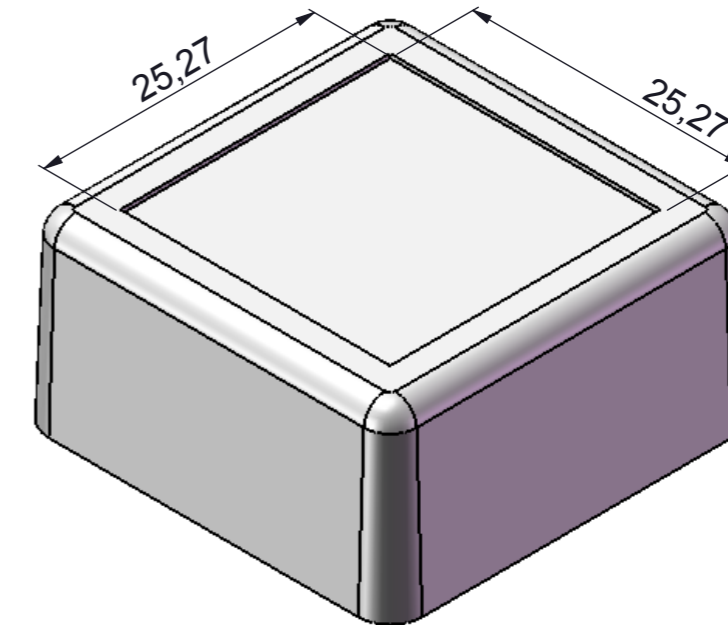
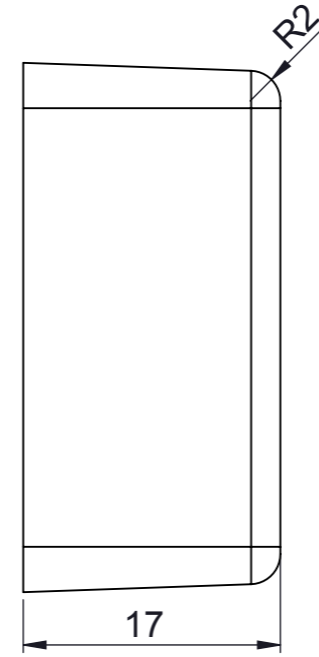
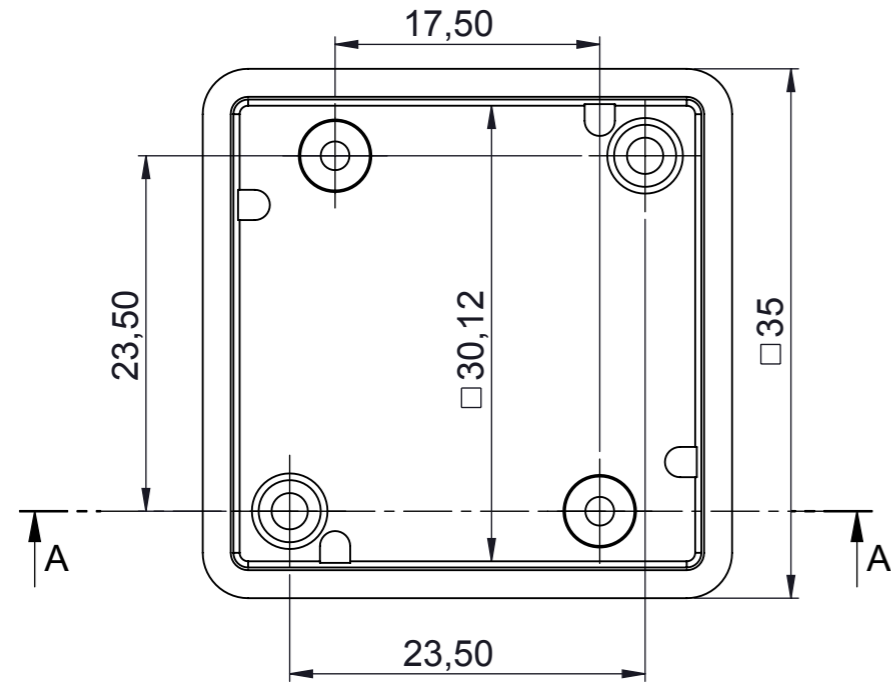



SECTION A-A



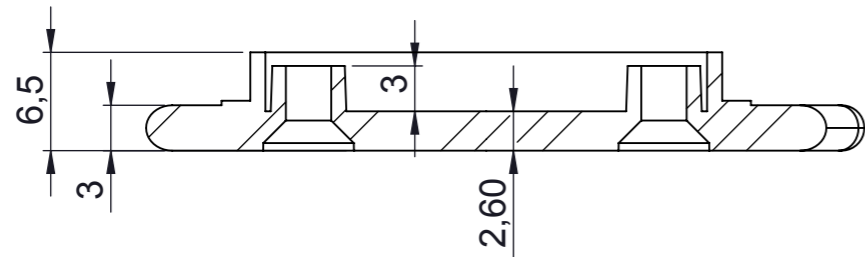
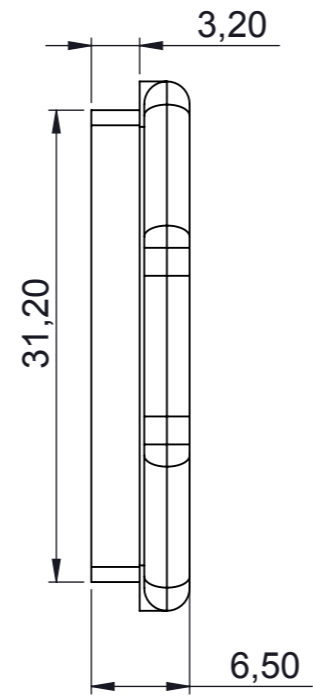
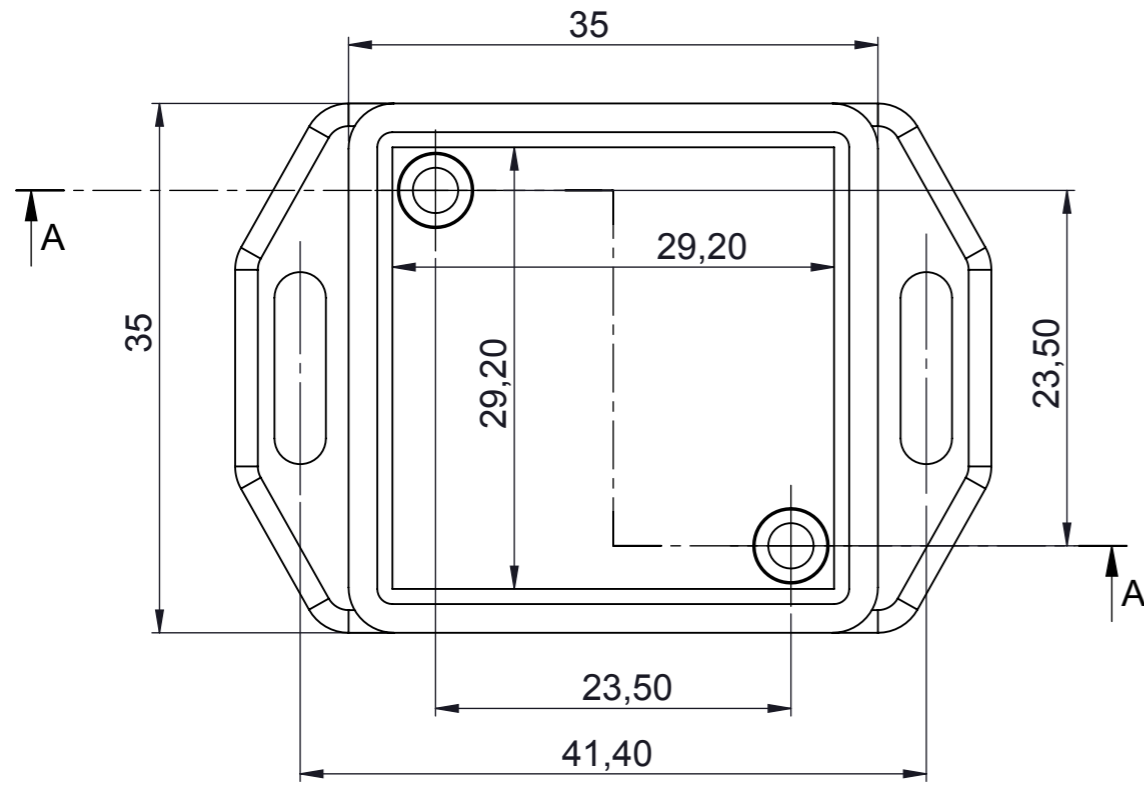
<small>PROPRIETARY AND CONFIDENTIAL THE INFORMATION CONTAINED IN THIS DRAWING IS THE SOLE PROPERTY OF ALTINKAYA ENCLOSURES. ANY REPRODUCTION IN PART OR AS A WHOLE WITHOUT THE WRITTEN PERMISSION OF ALTINKAYA ENCLOSURES IS PROHIBITED.</small>			ARTICLE NO:	REVISION:						
<table border="1"> <thead> <tr> <th>NAME</th> <th>DATE</th> </tr> </thead> <tbody> <tr> <td>DURSUN DAŞDEMİR</td> <td>14.07.08</td> </tr> <tr> <td>ALİ ALTINŞIK</td> <td>14.07.08</td> </tr> </tbody> </table>			NAME	DATE	DURSUN DAŞDEMİR	14.07.08	ALİ ALTINŞIK	14.07.08	 <b>CONTACT:</b> <a href="http://www.altinkaya.com.tr">www.altinkaya.com.tr</a>	<b>TITLE:</b> DM 002 Wall Mountable Enclosure
NAME	DATE									
DURSUN DAŞDEMİR	14.07.08									
ALİ ALTINŞIK	14.07.08									
<b>DRAWN:</b> Dursun Daşdemir 14.07.08 <b>CHECKED:</b> Ali Altınışık 14.07.08 <b>COMMENTS:</b>  <b>MATERIAL:</b>  <b>WEIGHT:</b>			<b>DWG NO:</b> DM-002-0-0-G-011336 <b>SCALE:</b> 2:1 <b>SHEET 1 OF 1</b>							
			<b>A3</b> 							



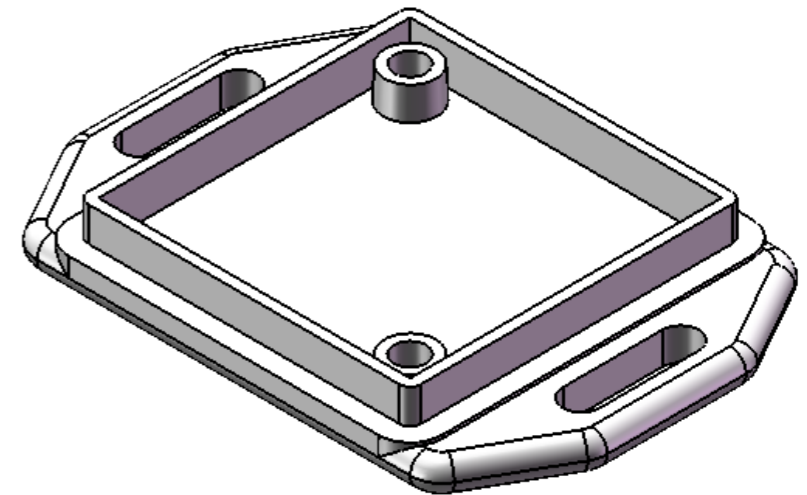
SECTION A-A


<small>PROPRIETARY AND CONFIDENTIAL THE INFORMATION CONTAINED IN THIS DRAWING IS THE SOLE PROPERTY OF ALTINKAYA ENCLOSURES. ANY REPRODUCTION IN PART OR AS A WHOLE WITHOUT THE WRITTEN PERMISSION OF ALTINKAYA ENCLOSURES IS PROHIBITED.</small>			ARTICLE NO:	REVISION:
<small>DRAWN</small> Dursun Daşdemir 14.07.08 <small>CHECKED</small> Ali Altınışık 14.07.08 <small>COMMENTS:</small> <small>MATERIAL:</small>			 <b>ALTINKAYA</b> <small>ENCLOSURES FOR ELECTRONICS</small>	<small>CONTACT:</small> <a href="http://www.altinkaya.com.tr">www.altinkaya.com.tr</a>
			<h3>DM-002 Cover</h3>	
			<small>DWG NO:</small> <b>DM-002-P-1-G-0-11135</b>	<small>SCALE:</small> 2:1
			<small>WEIGHT:</small>	<small>SHEET 1 OF 1</small>





SECTION A-A



<small>PROPRIETARY AND CONFIDENTIAL THE INFORMATION CONTAINED IN THIS DRAWING IS THE SOLE PROPERTY OF ALTINKAYA ENCLOSURES. ANY REPRODUCTION IN PART OR AS A WHOLE WITHOUT THE WRITTEN PERMISSION OF ALTINKAYA ENCLOSURES IS PROHIBITED.</small>			ARTICLE NO:	REVISION:
<small>DRAWN</small> Dursun Daşdemir 14.07.08 <small>CHECKED</small> Ali Altınışık 14.07.08 <small>COMMENTS:</small> <small>MATERIAL:</small>			 <b>ALTINKAYA</b> <small>ENCLOSURES FOR ELECTRONICS</small>	<small>CONTACT:</small> <a href="http://www.altinkaya.com.tr">www.altinkaya.com.tr</a>
			<h2>DM-001 Body</h2>	
			<small>DWG NO.</small> <b>DM-001-P-1-G-011133</b>	<small>A3</small>
<small>WEIGHT:</small>			<small>SCALE:</small> 2:1	<small>SHEET</small> 1 OF 1