

ITEM NO.	PART NUMBER	DESCRIPTION	QTY.
1	DM-003-P-1-11136	Flanged Base	1
2	PCB Sample	Not Included	1
3	DM-003-P-2-11137	Cover	1
4	A-635-0-0-M-0-11100	2,9 x 9,5 mm YHB SC Metallic Screw	2

PROPRIETARY AND CONFIDENTIAL
THE INFORMATION CONTAINED IN THIS
DRAWING IS THE SOLE PROPERTY OF
ALTINKAYA ENCLOSURES. ANY
REPRODUCTION IN PART OR AS A WHOLE
WITHOUT THE WRITTEN PERMISSION OF
ALTINKAYA ENCLOSURES IS PROHIBITED.

ARTICLE NO:

REVISION:



CONTACT:
www.altinkaya.com.tr

DRAWN Dursun Dagdemir 12.12.07

CHECKED Ali Altinçik 12.12.07

COMMENTS:

TITLE:

Wall Mount Enclosure

MATERIAL:

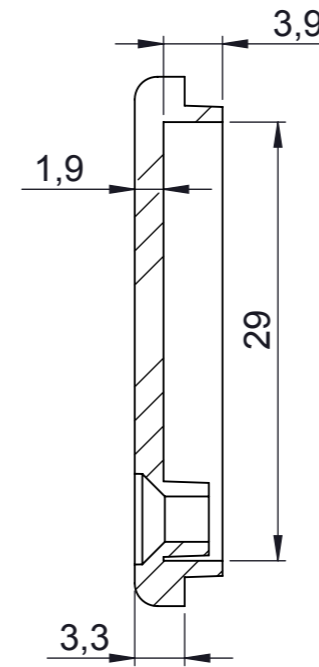
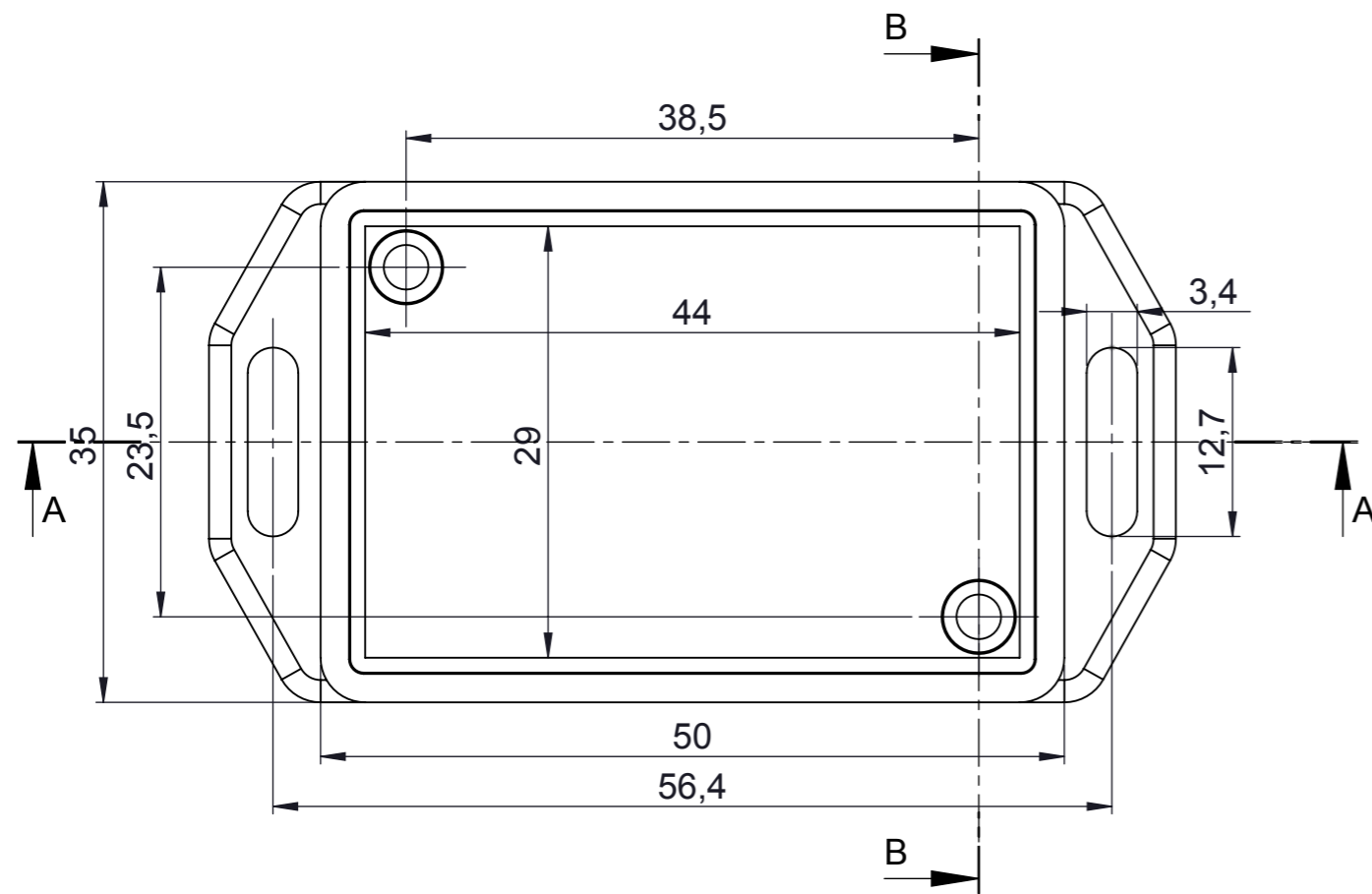
DM-003-0-0-11210 A3

WEIGHT:

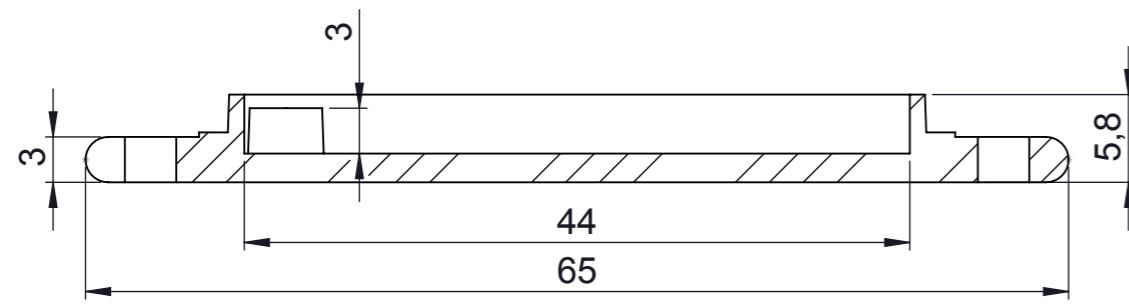
SCALE:3:1

SHEET 1 OF 1

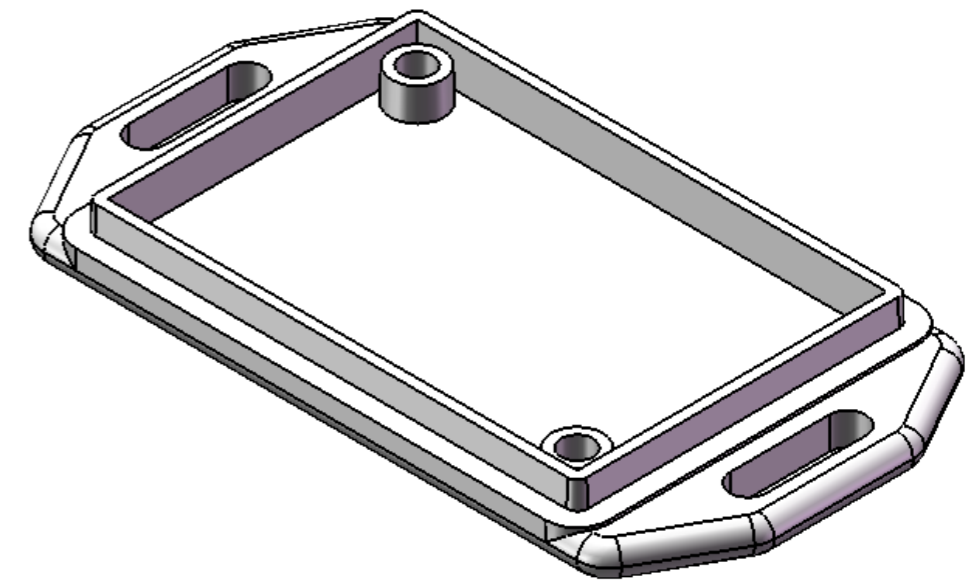





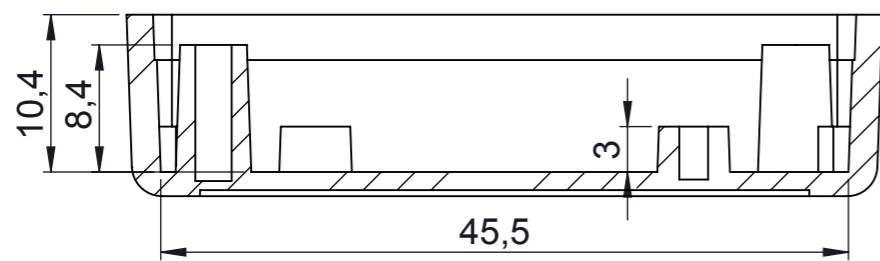
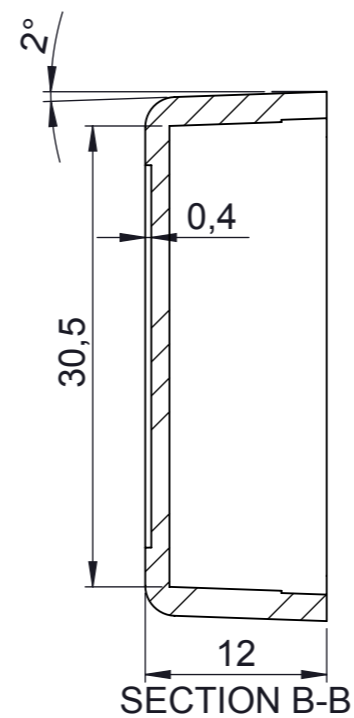
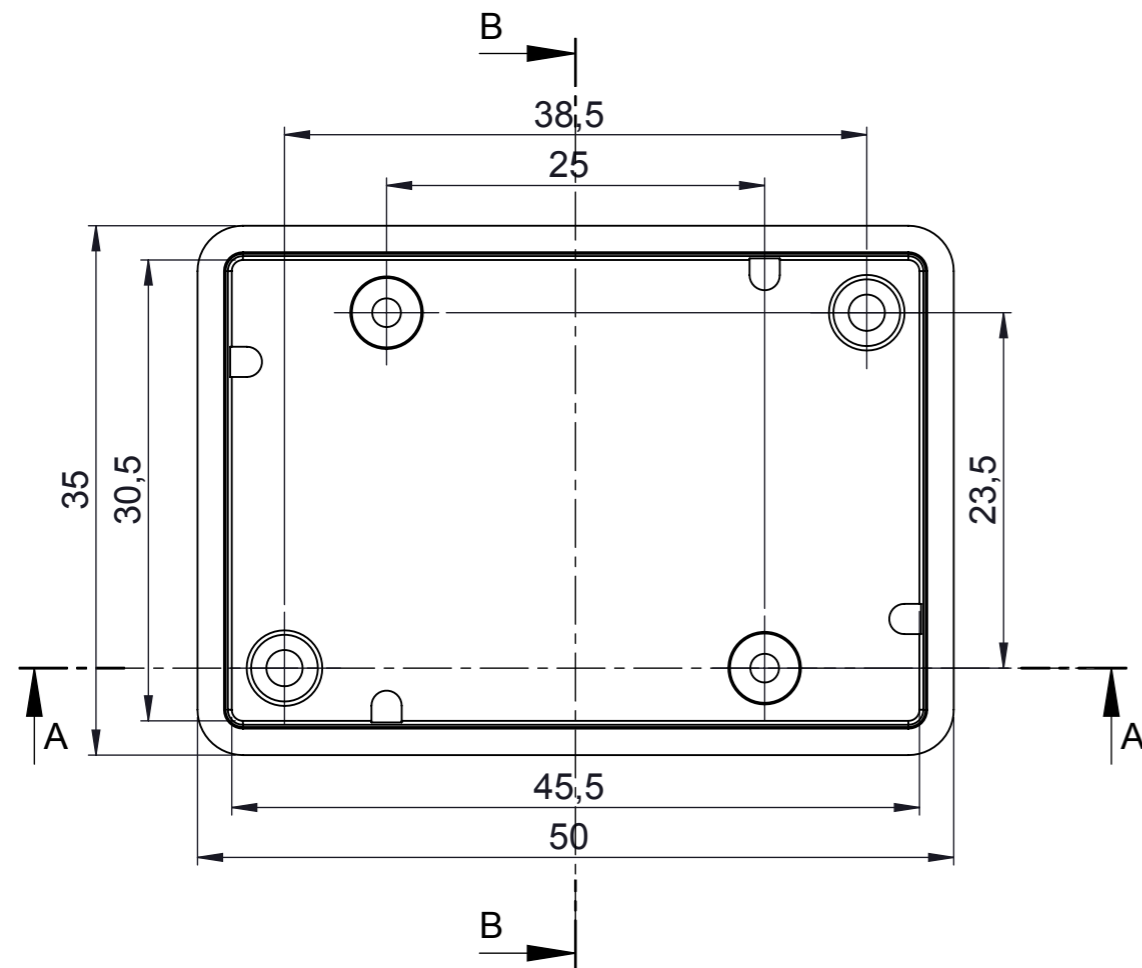
SECTION B-B



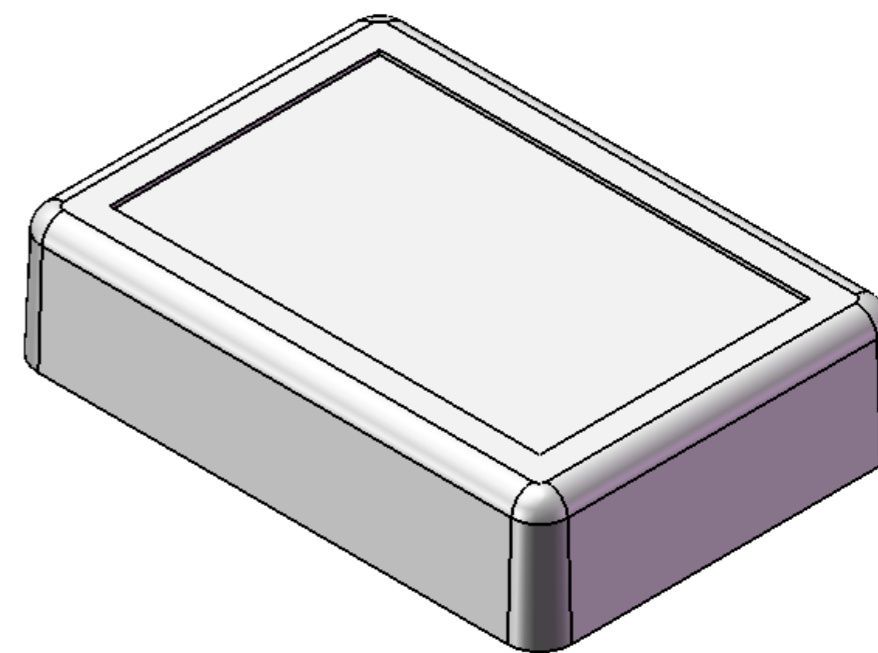
SECTION A-A




<small>PROPRIETARY AND CONFIDENTIAL THE INFORMATION CONTAINED IN THIS DRAWING IS THE SOLE PROPERTY OF ALTINKAYA ENCLOSURES. ANY REPRODUCTION IN PART OR AS A WHOLE WITHOUT THE WRITTEN PERMISSION OF ALTINKAYA ENCLOSURES IS PROHIBITED.</small>		ARTICLE NO:	REVISION:
<small>DRAWN Dursun Dagdemir 12.12.07 CHECKED Ali Altinçik 12.12.07 COMMENTS:</small>		 ALTINKAYA ENCLOSURES FOR ELECTRONICS	CONTACT: www.altinkaya.com.tr
<small>MATERIAL:</small>		<h1>Flanged Base</h1>	
<small>WEIGHT:</small>		<small>DWG NO:</small> DM-003-P-1-11136 A3	
<small>SCALE: 2:1</small>		<small>SHEET 1 OF 1</small>	

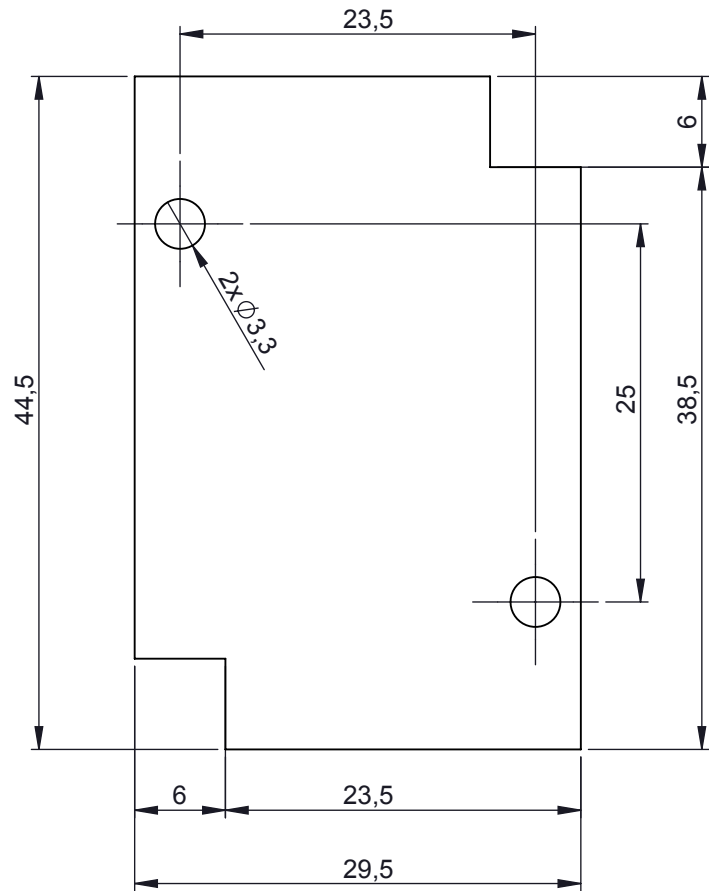


SECTION A-A




<small>PROPRIETARY AND CONFIDENTIAL THE INFORMATION CONTAINED IN THIS DRAWING IS THE SOLE PROPERTY OF ALTINKAYA ENCLOSURES. ANY REPRODUCTION IN PART OR AS A WHOLE WITHOUT THE WRITTEN PERMISSION OF ALTINKAYA ENCLOSURES IS PROHIBITED.</small>		ARTICLE NO:	REVISION:
<small>DRAWN</small> Dursun Daşdemir 12.12.07 <small>CHECKED</small> Ali Altıngök 12.12.07 <small>COMMENTS:</small>		 ALTINKAYA <small>ENCLOSURES FOR ELECTRONICS</small>	<small>CONTACT:</small> www.altinkaya.com.tr
<small>MATERIAL:</small>		<h1>Cover</h1>	
<small>WEIGHT:</small>		<small>DWG NO:</small> DM-003-P-2-11137 A3	
<small>SCALE:</small> 2:1		<small>SHEET</small> 1 OF 1	





	NAME	DATE	ARTICLE NO:	REVISION:	TITLE:
DRAWN	Dursun Daşdemir	12.12.07			<h1>Not Included</h1>
CHECKED	Ali Altınışık	12.12.07			
 www.altinkaya.com.tr			COMMENTS: DIMENSIONS ARE IN MILLIMETERS, DEBUR AND BREAK SHARP EDGES		
PROPRIETARY AND CONFIDENTIAL <small>THE INFORMATION CONTAINED IN THIS DRAWING IS THE SOLE PROPERTY OF ALTINKAYA ENCLOSURES. ANY REPRODUCTION IN PART OR AS A WHOLE WITHOUT THE WRITTEN PERMISSION OF ALTINKAYA ENCLOSURES IS PROHIBITED.</small>			MATERIAL:		DWG NO. PCB Sample
			WEIGHT:		A4

		<h1>Not Included</h1>	
		<h1>PCB Sample</h1>	
		A4	
			

MATERIAL:

WEIGHT:

SCALE:2:1

SHEET 1 OF 1

