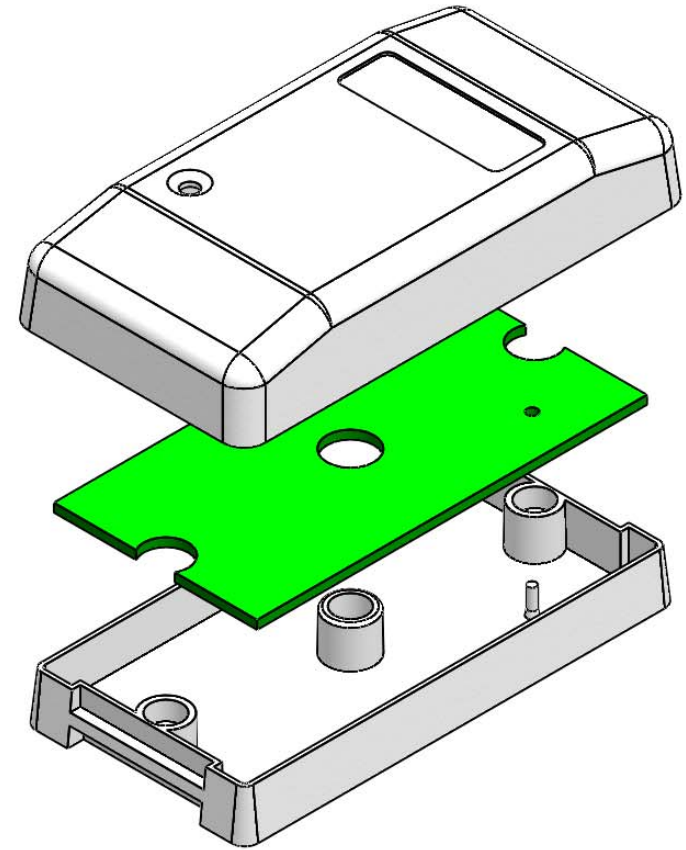

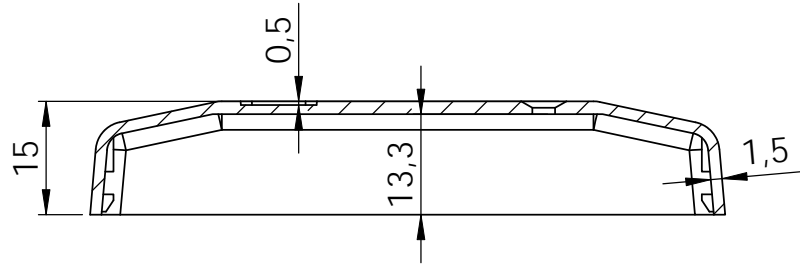
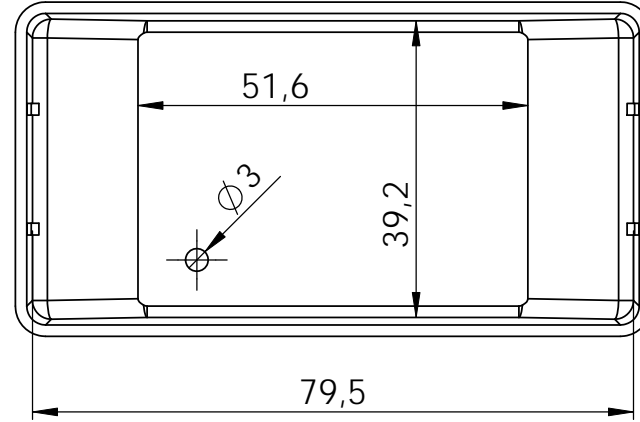
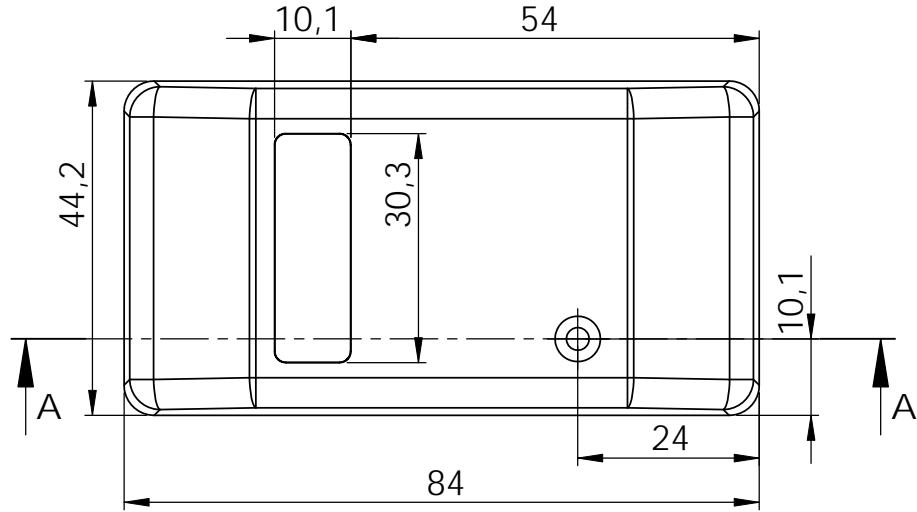


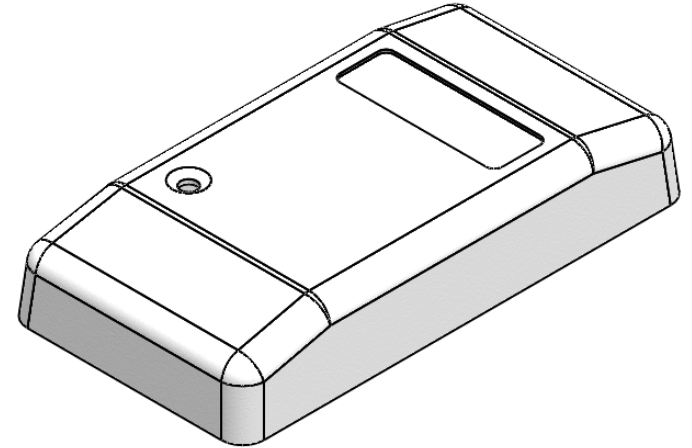
SECTION A-A





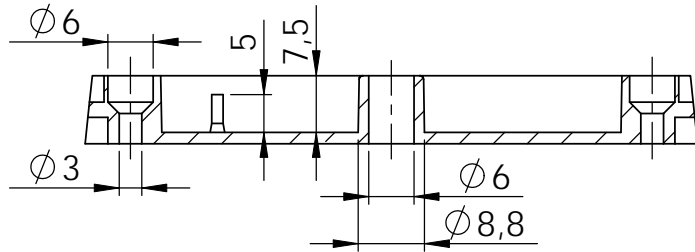
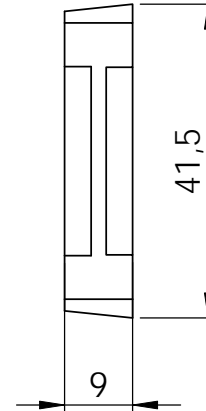
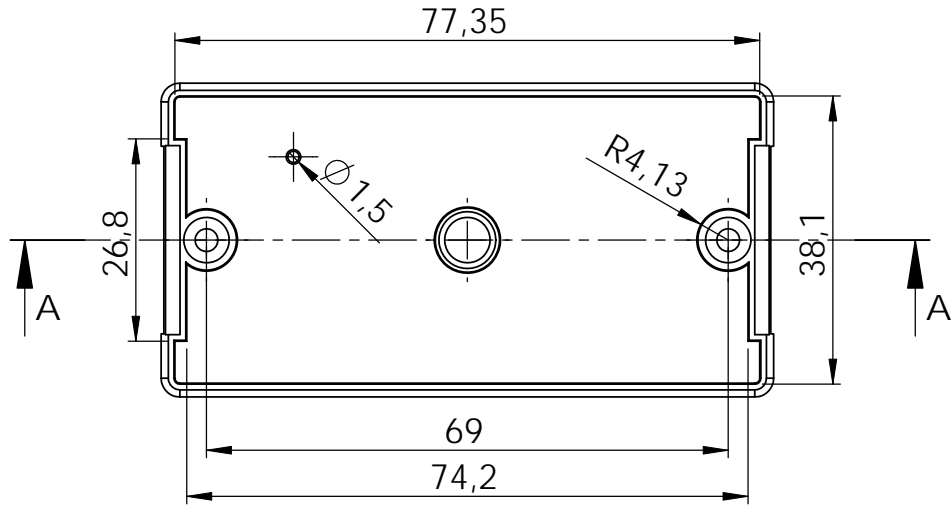
	NAME	DATE	ARTICLE NO:	REVISION:	TITLE:
DRAWN	Dursun Daşdemir				
CHECKED	Ali Altınışık		COMMENTS: DIMENSIONS ARE IN MILLIMETERS, DEBUR AND BREAK SHARP EDGES		
 <b>ALTINKAYA</b> ENCLOSURES FOR ELECTRONICS <a href="http://www.altinkaya.com.tr">www.altinkaya.com.tr</a>			DWG NO.		A4
<b>PROPRIETARY AND CONFIDENTIAL</b> <small>THE INFORMATION CONTAINED IN THIS DRAWING IS THE SOLE PROPERTY OF ALTINKAYA ENCLOSURES. ANY REPRODUCTION IN PART OR AS A WHOLE WITHOUT THE WRITTEN PERMISSION OF ALTINKAYA ENCLOSURES IS PROHIBITED.</small>			<b>DM-024</b>		
MATERIAL:			WEIGHT:	SCALE:1:1	SHEET 1 OF 1



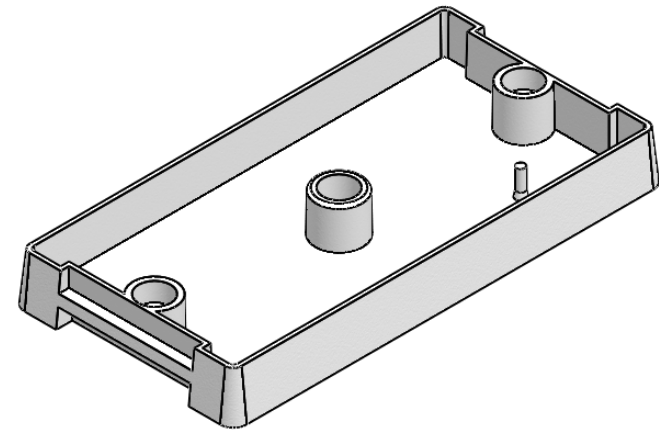
KESIT A-A




	NAME	DATE	ARTICLE NO:	REVISION:	TITLE:
DRAWN	Dursun Daşdemir				
CHECKED	Ali Altınışık		COMMENTS:		
	 ENCLOSURES FOR ELECTRONICS <a href="http://www.altinkaya.com.tr">www.altinkaya.com.tr</a>		DIMENSIONS ARE IN MILLIMETERS, DEBUR AND BREAK SHARP EDGES		
	PROPRIETARY AND CONFIDENTIAL THE INFORMATION CONTAINED IN THIS DRAWING IS THE SOLE PROPERTY OF ALTINKAYA ENCLOSURES. ANY REPRODUCTION IN PART OR AS A WHOLE WITHOUT THE WRITTEN PERMISSION OF ALTINKAYA ENCLOSURES IS PROHIBITED.		MATERIAL:	WEIGHT:	DWG NO. <b>Cover</b>
				SCALE:1:1	A4
				SHEET 1 OF 1	

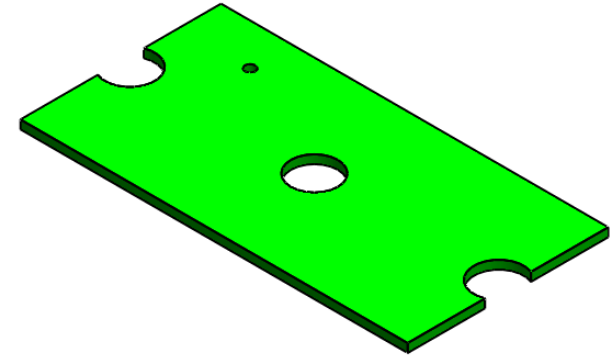
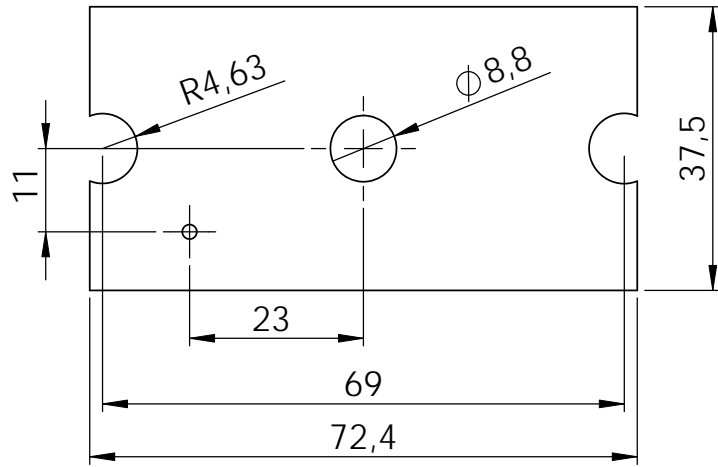



SECTION A-A



	NAME	DATE	ARTICLE NO:	REVISION:	TITLE:
DRAWN	Dursun Daşdemir				
CHECKED	Ali Altınışık		COMMENTS:		
	 ENCLOSURES FOR ELECTRONICS <a href="http://www.altinkaya.com.tr">www.altinkaya.com.tr</a>		DIMENSIONS ARE IN MILLIMETERS, DEBUR AND BREAK SHARP EDGES		
PROPRIETARY AND CONFIDENTIAL THE INFORMATION CONTAINED IN THIS DRAWING IS THE SOLE PROPERTY OF ALTINKAYA ENCLOSURES. ANY REPRODUCTION IN PART OR AS A WHOLE WITHOUT THE WRITTEN PERMISSION OF ALTINKAYA ENCLOSURES IS PROHIBITED.			DWG NO.		Base
MATERIAL:			WEIGHT:		A4
			SCALE:1:1		SHEET 1 OF 1





	NAME	DATE	ARTICLE NO:	REVISION:	TITLE:		
DRAWN	Dursun Daşdemir				Not Included		
CHECKED	Ali Altınışık		COMMENTS:			DWG NO.	PCB_sample
 <b>ALTINKAYA</b> ENCLOSURES FOR ELECTRONICS <a href="http://www.altinkaya.com.tr">www.altinkaya.com.tr</a>			DIMENSIONS ARE IN MILLIMETERS, DEBUR AND BREAK SHARP EDGES				
<b>PROPRIETARY AND CONFIDENTIAL</b> <small>THE INFORMATION CONTAINED IN THIS DRAWING IS THE SOLE PROPERTY OF ALTINKAYA ENCLOSURES. ANY REPRODUCTION IN PART OR AS A WHOLE WITHOUT THE WRITTEN PERMISSION OF ALTINKAYA ENCLOSURES IS PROHIBITED.</small>			<b>MATERIAL:</b>		WEIGHT:	SCALE:1:1	SHEET 1 OF 1

