
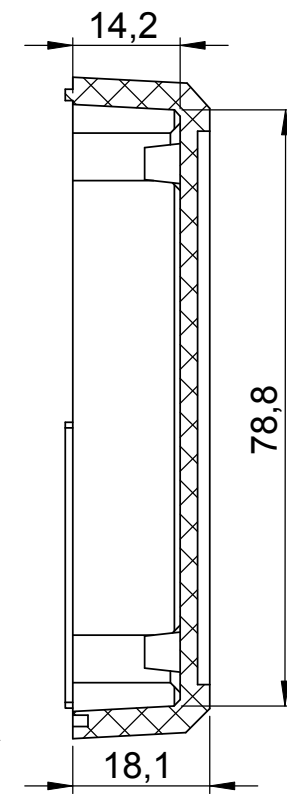
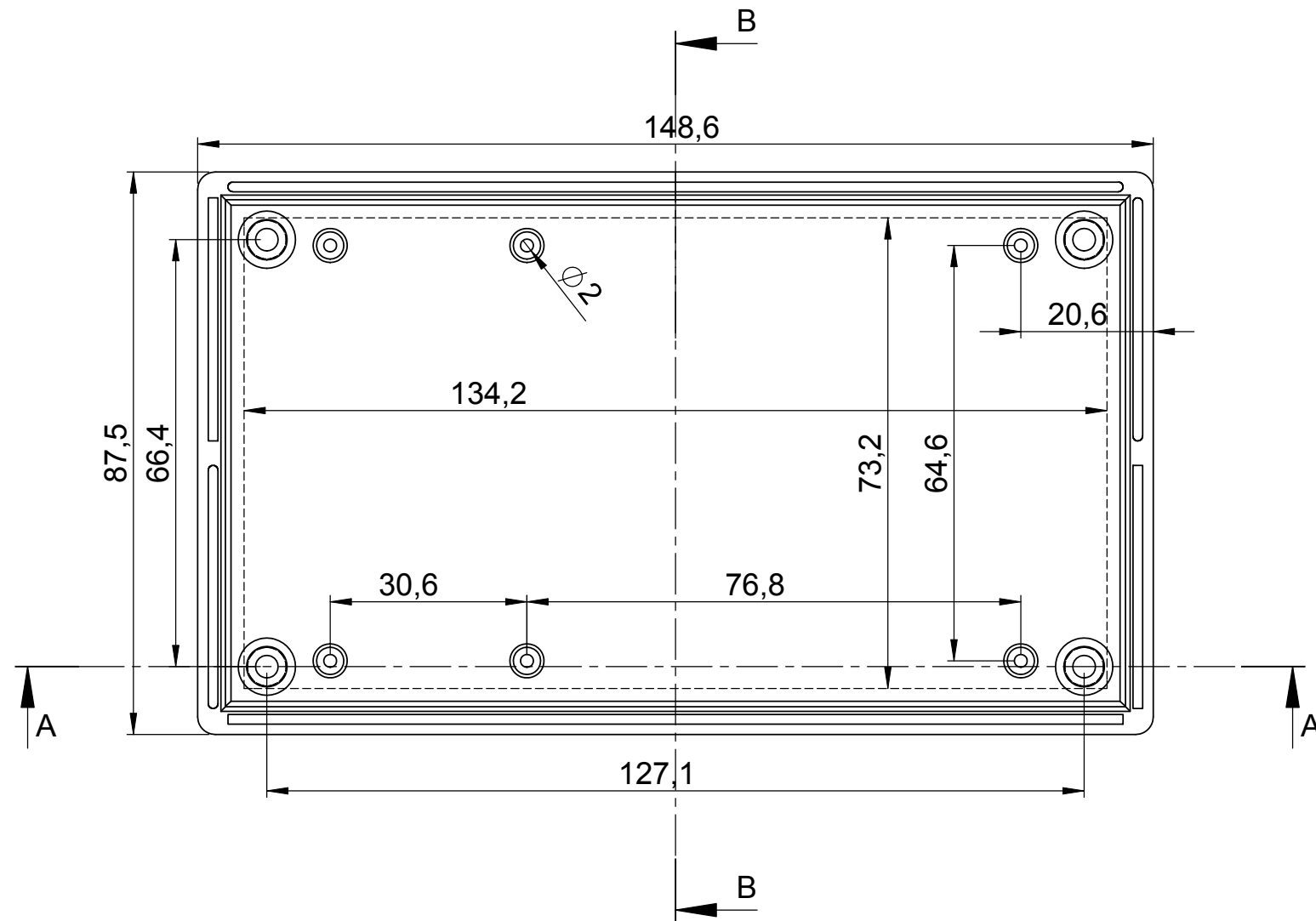


SECTION A-A
SCALE 1 : 1

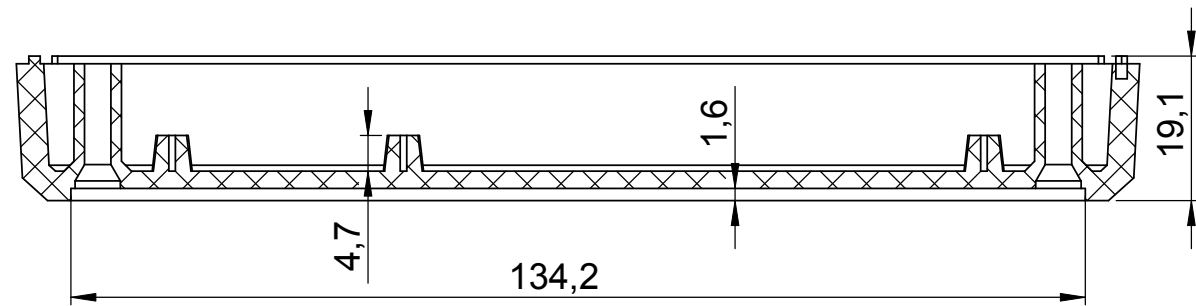
SECTION B-B
SCALE 1 : 1

ITEM NO.	PART NUMBER	DESCRIPTION	QTY.
1	DT-080-P-2	DT 080 Lower body	1
2	DT-080-P-1	DT 080 Upper Body	1
3	DT-080 PCB sample	Not Included	1
4	A-69-0-0-M-0-10261	3 x 25 mm YHB SC Metallic Screw 3 x 25 mm YHB SC Metallic Screw	4

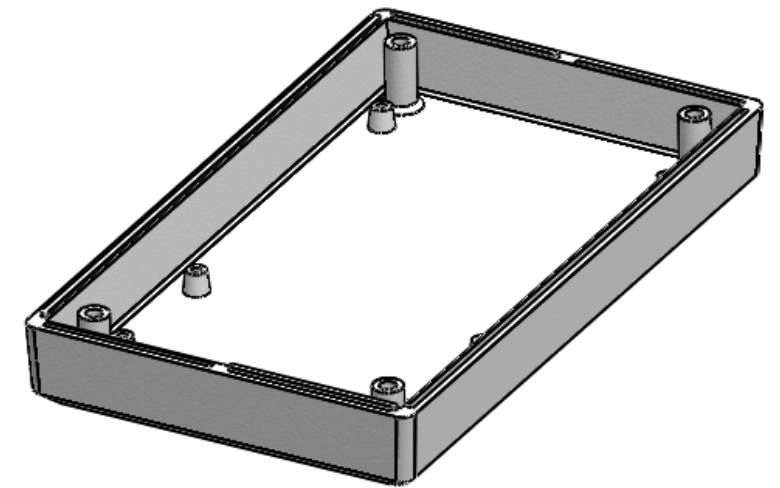
<small>PROPRIETARY AND CONFIDENTIAL. THE INFORMATION CONTAINED IN THIS DRAWING IS THE SOLE PROPERTY OF ALTINKAYA ENCLOSURES. ANY REPRODUCTION IN PART OR AS A WHOLE WITHOUT THE WRITTEN PERMISSION OF ALTINKAYA ENCLOSURES IS PROHIBITED.</small>		ARTICLE NO.:	REVISION:
<small>DRAWN: Dursun Daşdemir</small> <small>CHECKED: Ali Altınışık</small>		 <small>ENCLOSURES FOR ELECTRONICS</small>	<small>CONTACT:</small> www.altinkaya.com.tr
<small>COMMENTS:</small>		<h3>DT 080 Desktop Enclosure</h3>	
<small>MATERIAL:</small>		DWG NO. DT-080-0-0	A3
<small>WEIGHT:</small>		SCALE:1:1	SHEET 1 OF 1





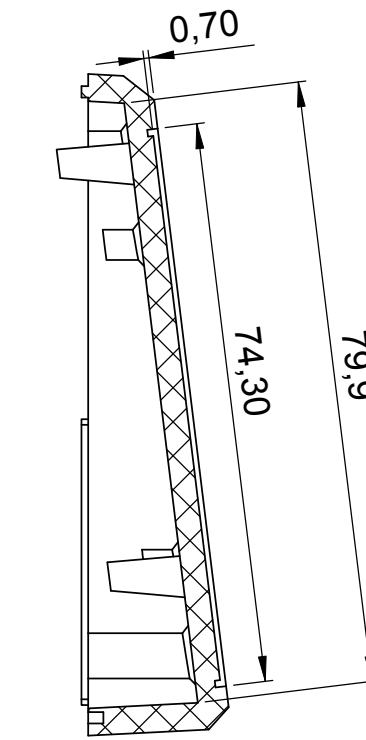
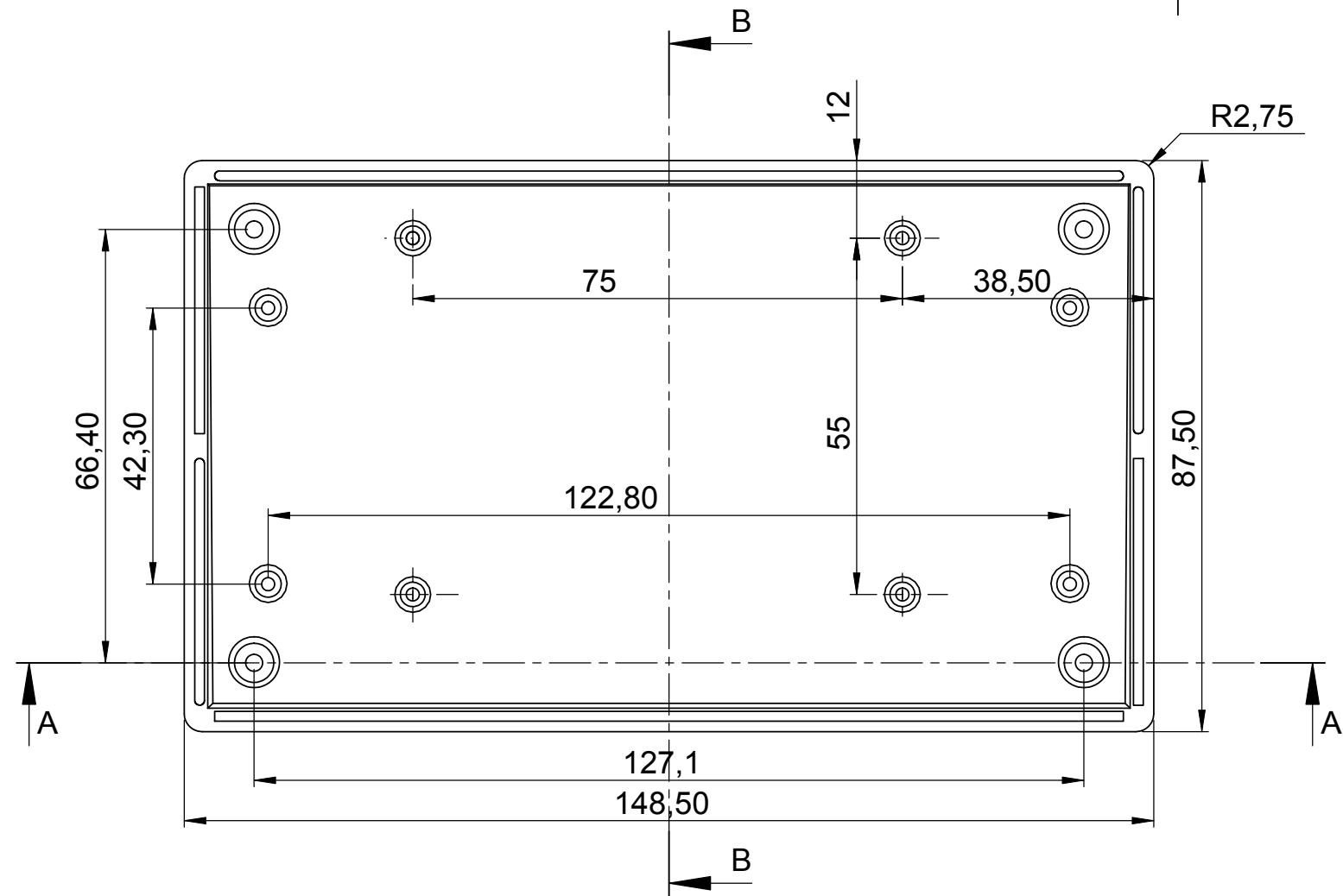
SECTION B-B



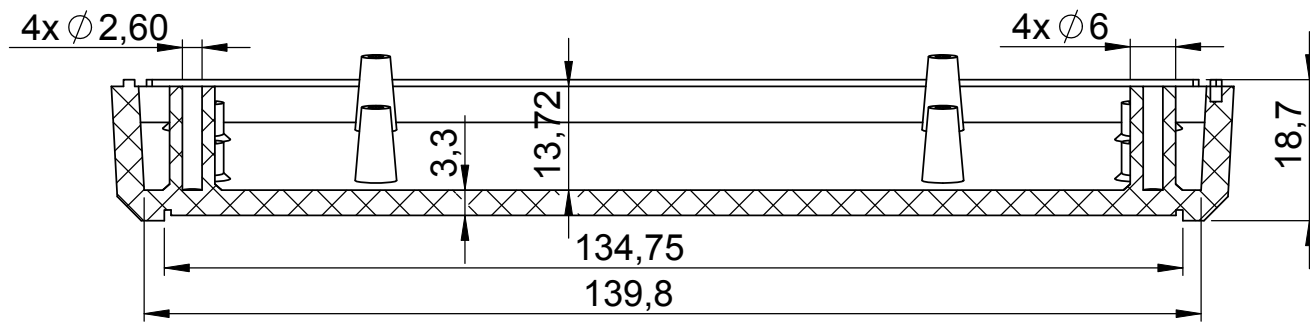
SECTION A-A
SCALE 1 : 1



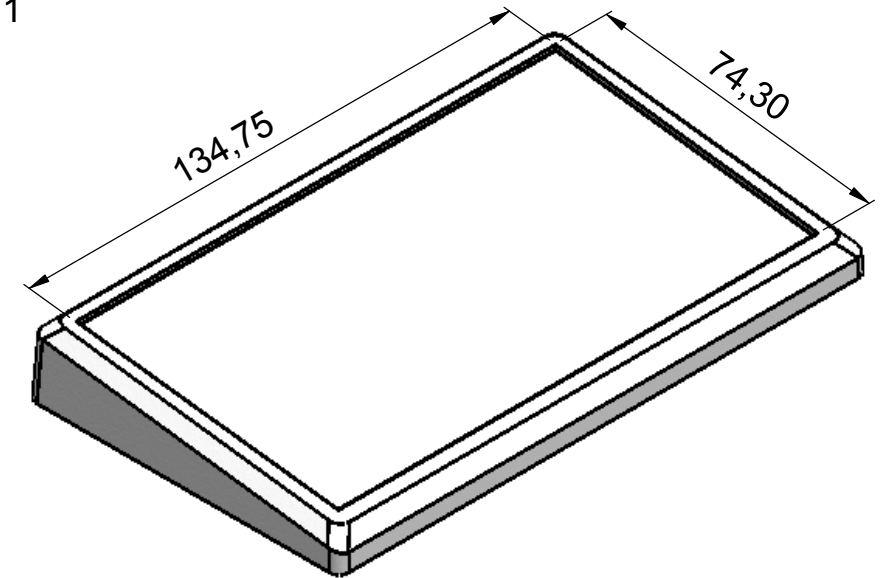
<small>PROPRIETARY AND CONFIDENTIAL. THE INFORMATION CONTAINED IN THIS DRAWING IS THE SOLE PROPERTY OF ALTINKAYA ENCLOSURES. ANY REPRODUCTION IN PART OR AS A WHOLE WITHOUT THE WRITTEN PERMISSION OF ALTINKAYA ENCLOSURES IS PROHIBITED.</small>		ARTICLE NO:	REVISION:
<small>DRAWN</small> Dursun Daşdemir		 <small>ENCLOSURES FOR ELECTRONICS</small>	<small>CONTACT:</small> www.altinkaya.com.tr
<small>CHECKED</small> Ali Altınışık		<small>TITLE:</small> DT 080 Lower body	
<small>COMMENTS:</small>		<small>DWG NO.</small> DT-080-P-2	A3
<small>MATERIAL:</small>		<small>SCALE:</small> 1:1	<small>SHEET</small> 1 OF 1
<small>WEIGHT:</small>			





SECTION B-B
SCALE 1 : 1



SECTION A-A
SCALE 1 : 1



<small>PROPRIETARY AND CONFIDENTIAL. THE INFORMATION CONTAINED IN THIS DRAWING IS THE SOLE PROPERTY OF ALTINKAYA ENCLOSURES. ANY REPRODUCTION IN PART OR AS A WHOLE WITHOUT THE WRITTEN PERMISSION OF ALTINKAYA ENCLOSURES IS PROHIBITED.</small>		ARTICLE NO.:	REVISION:
<small>DRAWN</small> Dursun Daşdemir		 <small>ENCLOSURES FOR ELECTRONICS</small>	<small>CONTACT:</small> www.altinkaya.com.tr
<small>CHECKED</small> Ali Altınışık		<small>TITLE:</small> DT 080 Upper Body	
<small>COMMENTS:</small>		<small>DWG NO.</small> DT-080-P-1	<small>A3</small>
<small>MATERIAL:</small>		<small>SCALE:</small> 1:1	<small>SHEET</small> 1 OF 1
<small>WEIGHT:</small>			

1

2

3

4

A

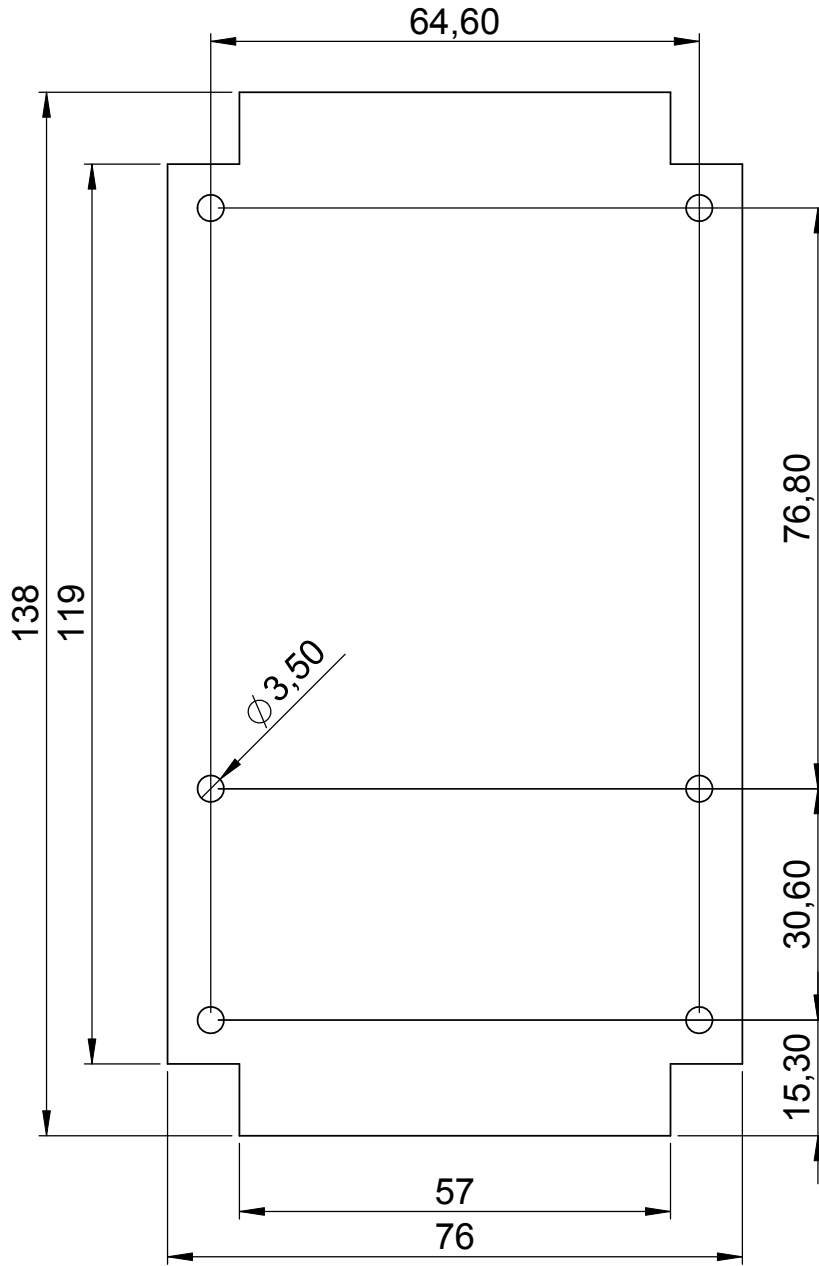
B


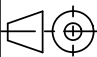
C

D

E

F



	NAME	DATE	ARTICLE NO:	REVISION:	TITLE:
DRAWN	Dursun Daşdemir				Not Included
CHECKED	Ali Altınışık				
 ALTINKAYA ENCLOSURES FOR ELECTRONICS www.altinkaya.com.tr			COMMENTS: DIMENSIONS ARE IN MILLIMETERS, DEBUR AND BREAK SHARP EDGES		DWG NO. DT-080 PCB sample
PROPRIETARY AND CONFIDENTIAL THE INFORMATION CONTAINED IN THIS DRAWING IS THE SOLE PROPERTY OF ALTINKAYA ENCLOSURES. ANY REPRODUCTION IN PART OR AS A WHOLE WITHOUT THE WRITTEN PERMISSION OF ALTINKAYA ENCLOSURES IS PROHIBITED.			MATERIAL:		
			WEIGHT:		
			SCALE:1:1		SHEET 1 OF 1