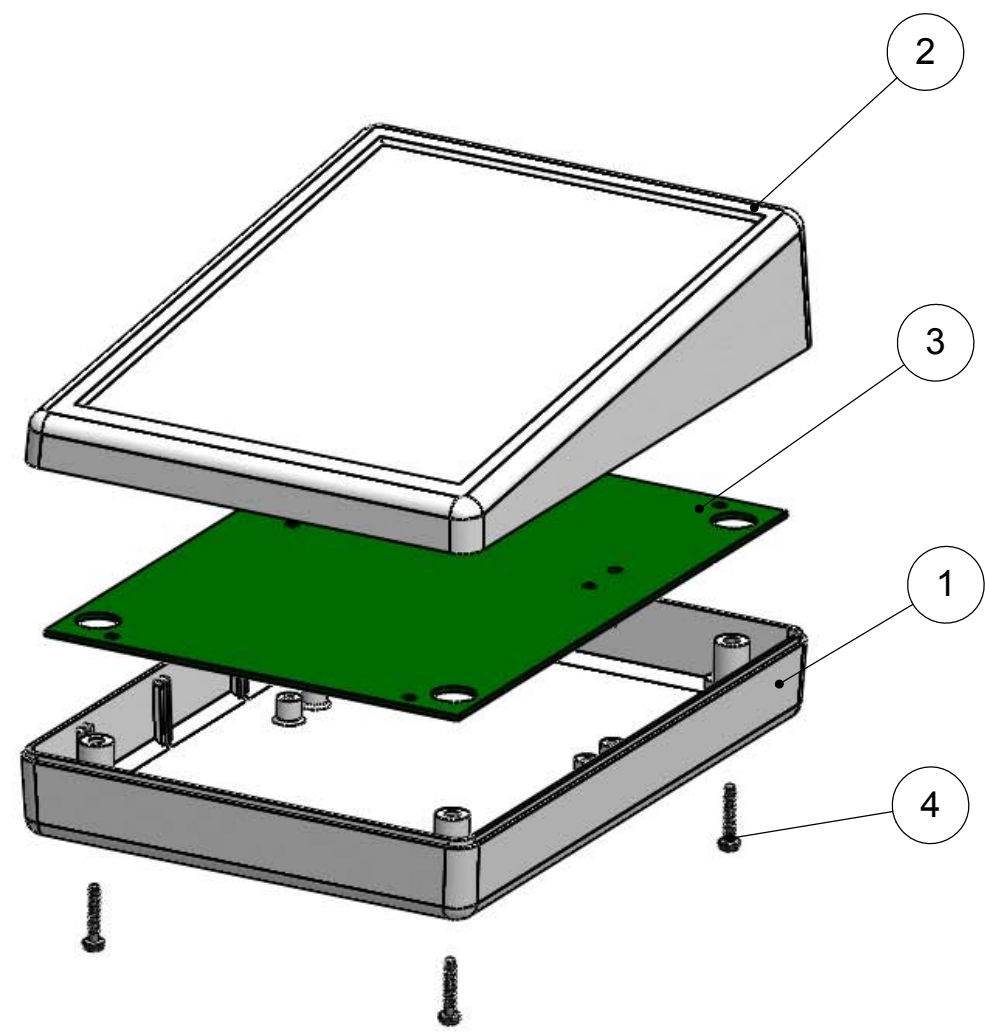

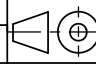
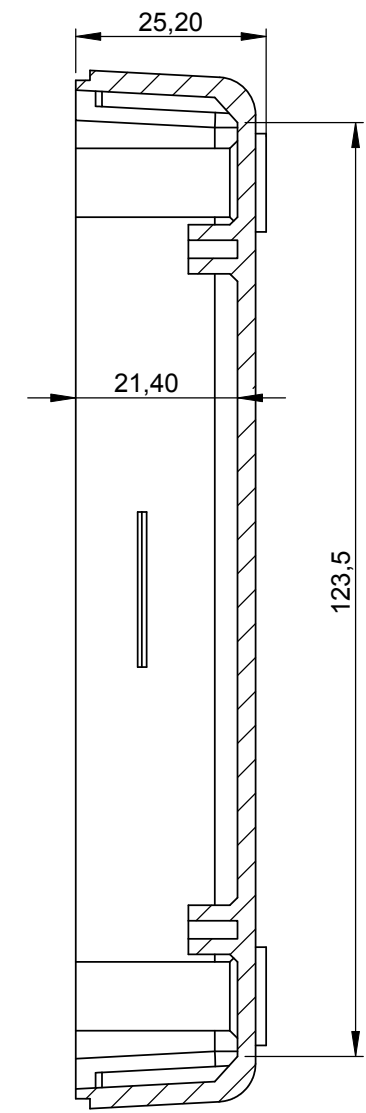
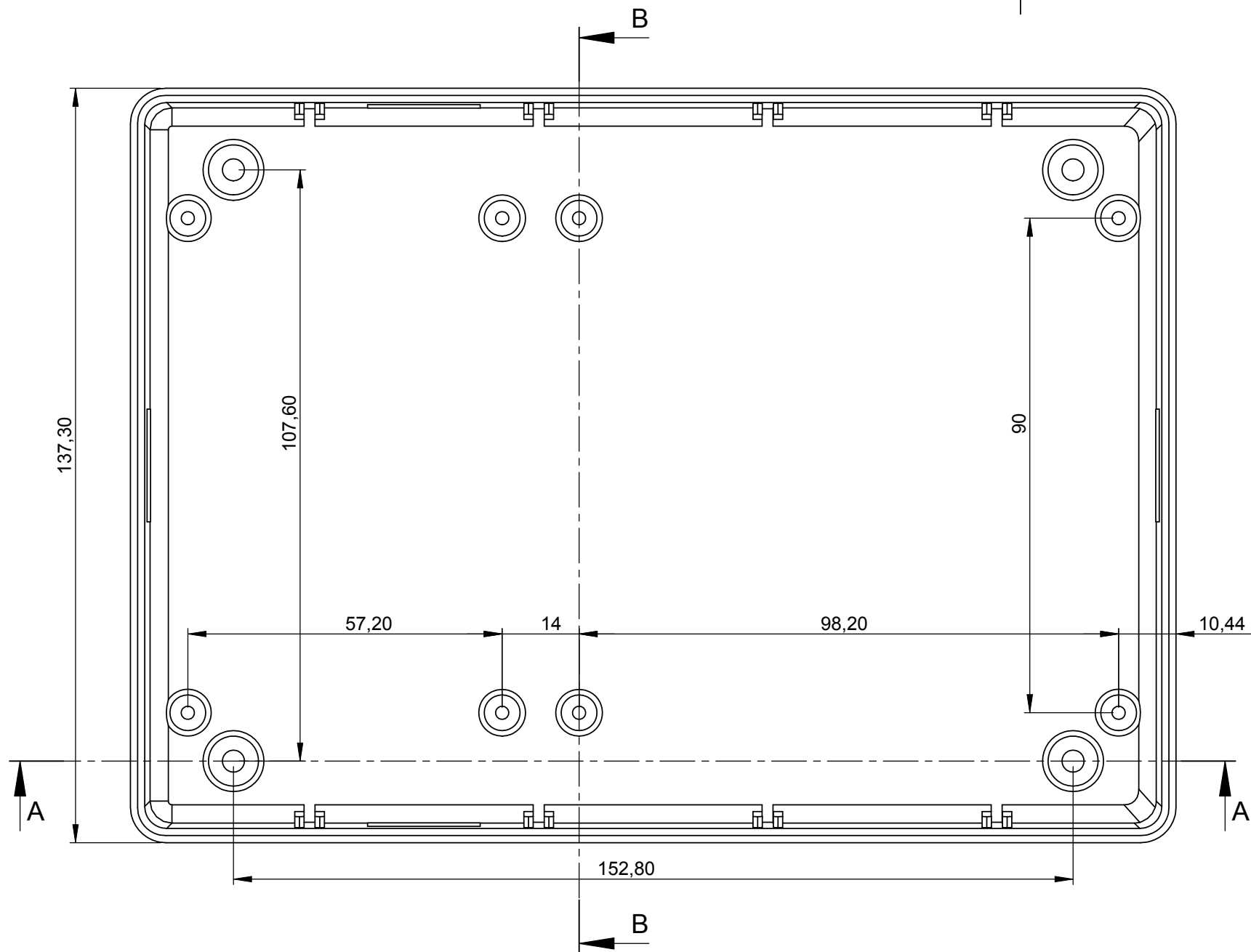


KESIT A-A

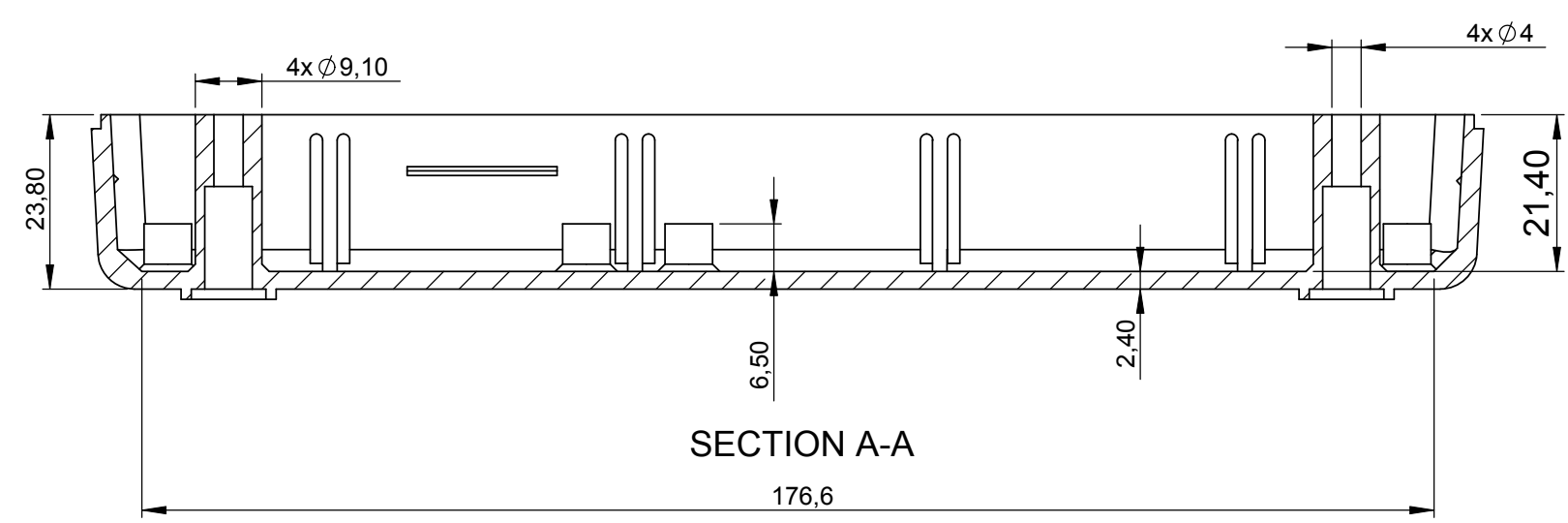
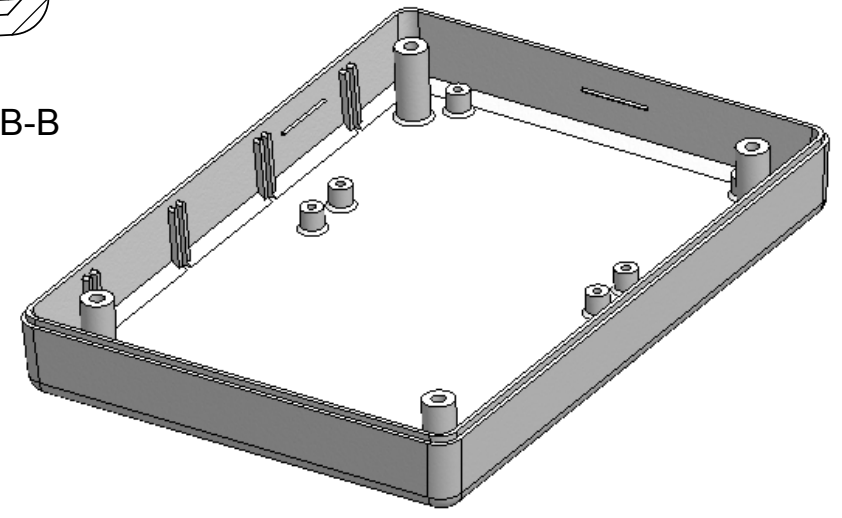


ITEM NO.	PART NUMBER	DESCRIPTION	QTY.
1	DT-110-P-2	DT 110 Lower body	1
2	DT-110-P-1	DT 110 Upper body	1
3	DT-110 PCB sample	Not Included	1
4	A-63-0-0-M-0-10296	3x16 YSB PLS Metallic Screw 3x16 YSB PLS Metallic Screw	4


<small>PROPRIETARY AND CONFIDENTIAL. THE INFORMATION CONTAINED IN THIS DRAWING IS THE SOLE PROPERTY OF ALTINKAYA ENCLOSURES. ANY REPRODUCTION IN PART OR AS A WHOLE WITHOUT THE WRITTEN PERMISSION OF ALTINKAYA ENCLOSURES IS PROHIBITED.</small>		ARTICLE NO:	REVISION:
<small>DRAWN: Dursun Daşdemir</small> <small>CHECKED: Ali Altınışık</small> <small>COMMENTS:</small>		 <small>ENCLOSURES FOR ELECTRONICS</small>	<small>CONTACT:</small> www.altinkaya.com.tr
<small>MATERIAL:</small>		DT 110 Desktop Enclosure	
<small>WEIGHT:</small>		<small>DWG NO.</small> DT-110-0-0	<small>SCALE:</small> A3
<small>SHEET 1 OF 1</small>		<small>SCALE:1:1</small>	



SECTION B-B

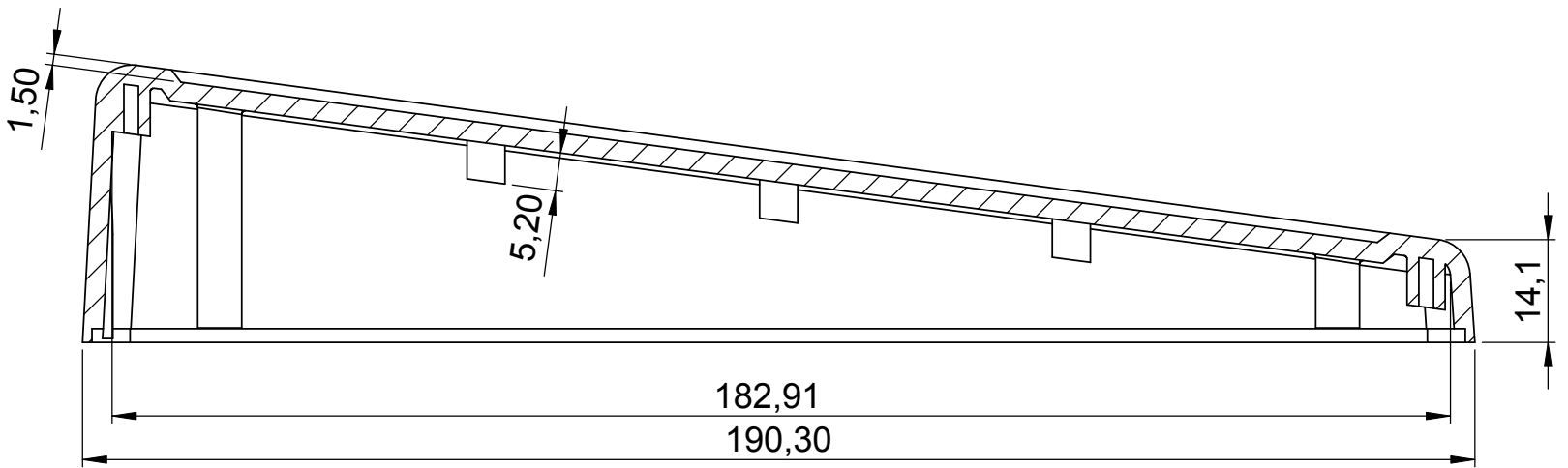
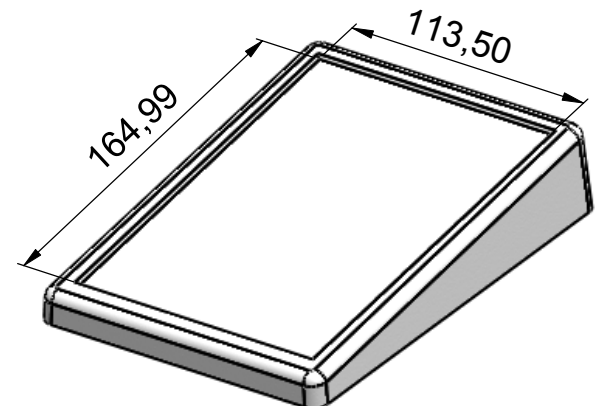
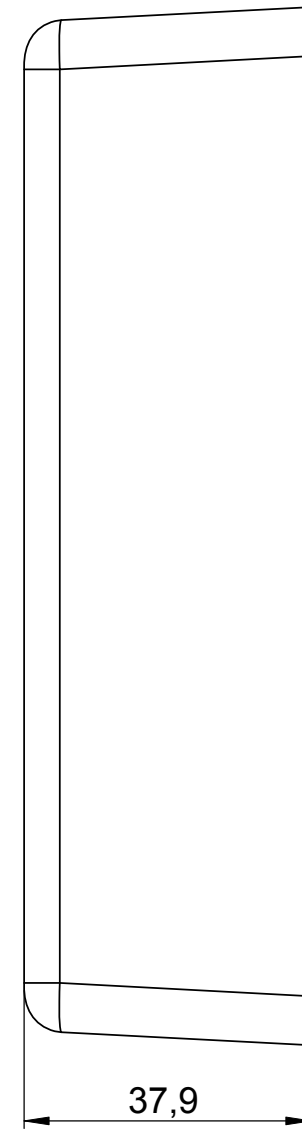
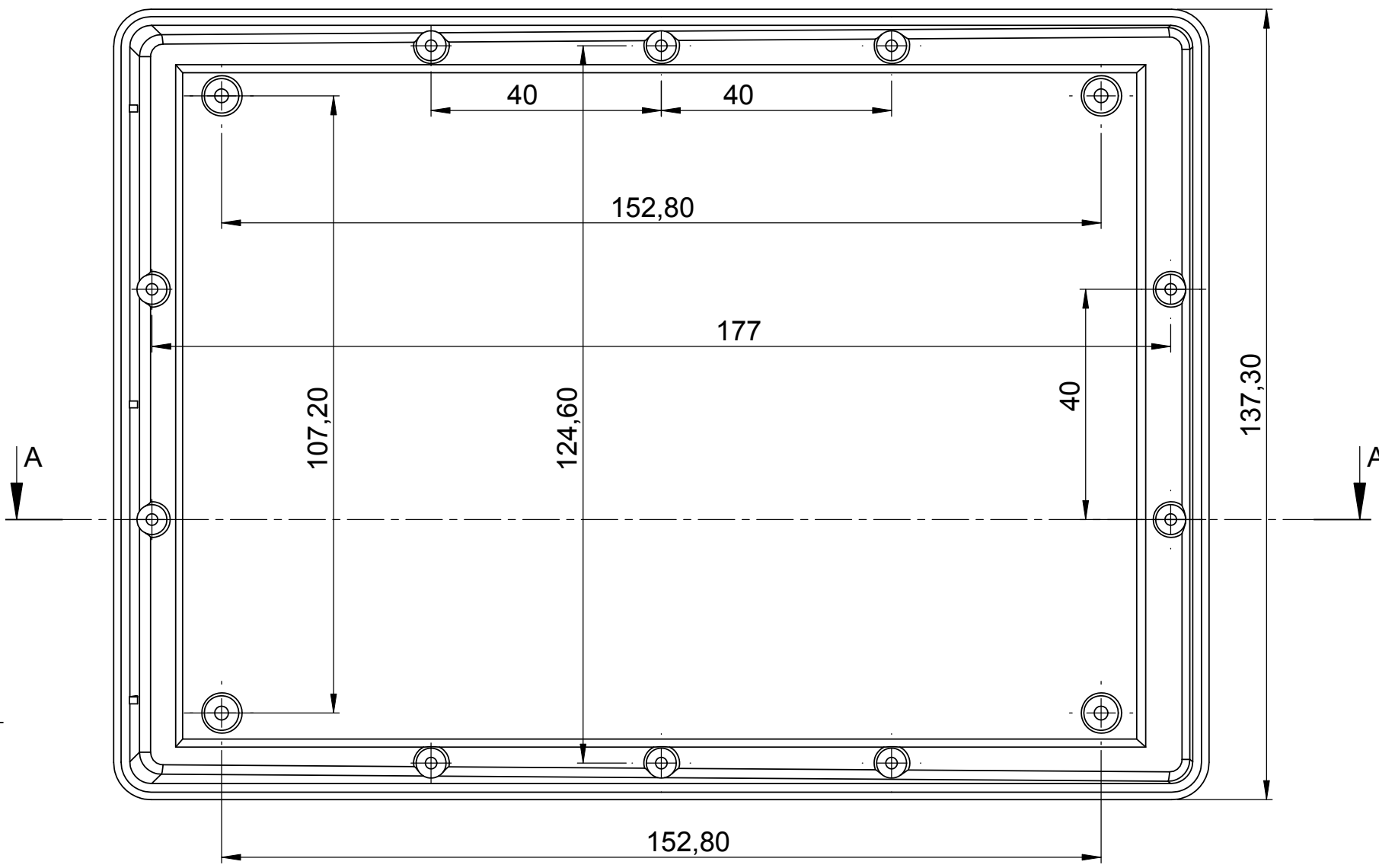


SECTION A-A


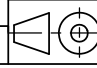
<small>PROPRIETARY AND CONFIDENTIAL. THE INFORMATION CONTAINED IN THIS DRAWING IS THE SOLE PROPERTY OF ALTINKAYA ENCLOSURES. ANY REPRODUCTION IN PART OR AS A WHOLE WITHOUT THE WRITTEN PERMISSION OF ALTINKAYA ENCLOSURES IS PROHIBITED.</small>		ARTICLE NO.:	REVISION:
<small>DRAWN: Dursun Daşdemir</small>		 ENCLOSURES FOR ELECTRONICS	<small>CONTACT:</small> www.altinkaya.com.tr
<small>CHECKED: Ali Altınışık</small>		<small>TITLE:</small> DT 110 Lower body	
<small>COMMENTS:</small>		<small>DWG NO.:</small> DT-110-P-2	<small>SCALE:</small> 1:1
<small>MATERIAL:</small>		<small>WEIGHT:</small>	<small>SHEET 1 OF 1</small>

A3





KESIT A-A

<small>PROPRIETARY AND CONFIDENTIAL. THE INFORMATION CONTAINED IN THIS DRAWING IS THE SOLE PROPERTY OF ALTINKAYA ENCLOSURES. ANY REPRODUCTION IN PART OR AS A WHOLE WITHOUT THE WRITTEN PERMISSION OF ALTINKAYA ENCLOSURES IS PROHIBITED.</small>			ARTICLE NO.:	REVISION:
			CONTACT: www.altinkaya.com.tr	
DRAWN	Dursun Daşdemir	DATE	TITLE:	
CHECKED	Ali Altınışık		DT 110 Upper body	
COMMENTS:			DWG NO.	A3
MATERIAL:			DT-110-P-1	
WEIGHT:			SCALE:1:1	SHEET 1 OF 1

1

2

3

4

A

125

B

C

8x ϕ 3,50

D

4x ϕ 12

E

90
107,60


98,20

14

57,20

152,80
180

F

	NAME	DATE	ARTICLE NO:	REVISION:	TITLE:
DRAWN	Dursun Daşdemir				Not Included
CHECKED	Ali Altınışık				
 ALTINKAYA ENCLOSURES FOR ELECTRONICS www.altinkaya.com.tr			COMMENTS: DIMENSIONS ARE IN MILLIMETERS, DEBUR AND BREAK SHARP EDGES		DWG NO. DT-110 PCB sample
PROPRIETARY AND CONFIDENTIAL THE INFORMATION CONTAINED IN THIS DRAWING IS THE SOLE PROPERTY OF ALTINKAYA ENCLOSURES. ANY REPRODUCTION IN PART OR AS A WHOLE WITHOUT THE WRITTEN PERMISSION OF ALTINKAYA ENCLOSURES IS PROHIBITED.			MATERIAL:		
			WEIGHT:		SCALE:1:1
					SHEET 1 OF 1

