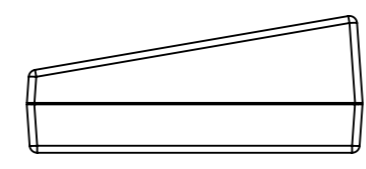
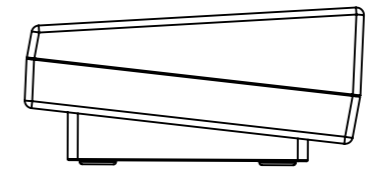


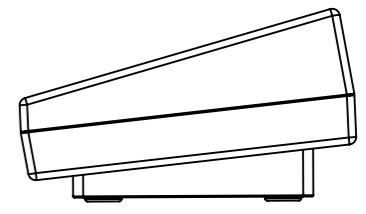
SECTION A-A  
SCALE 1 : 1



DT-130



DT-130-A



DT-130-A

ITEM NO.	PART NUMBER	DESCRIPTION	QTY.
1	DT-130-P-2-10302	DT 130 Lower body	1
2	DT-130-P-1-10300	DT 130 Upper body	1
3	A-63-0-0-M-0-10296	3x16 YSB PLS Metallic Screw	4
4	DT 130 PCB sample	3x16 YSB PLS Metallic Screw Not Included	1

PROPRIETARY AND CONFIDENTIAL  
THE INFORMATION CONTAINED IN THIS DRAWING IS THE SOLE PROPERTY OF ALTINKAYA ENCLOSURES. ANY REPRODUCTION IN PART OR AS A WHOLE WITHOUT THE WRITTEN PERMISSION OF ALTINKAYA ENCLOSURES IS PROHIBITED.

ARTICLE NO: \_\_\_\_\_ REVISION: \_\_\_\_\_

**ALTINKAYA**  
ENCLOSURES FOR ELECTRONICS

CONTACT: [www.altinkaya.com.tr](http://www.altinkaya.com.tr)

DRAWN: Dursun Daşdemir 28.11.07  
CHECKED: Ali Altıngök 28.11.07

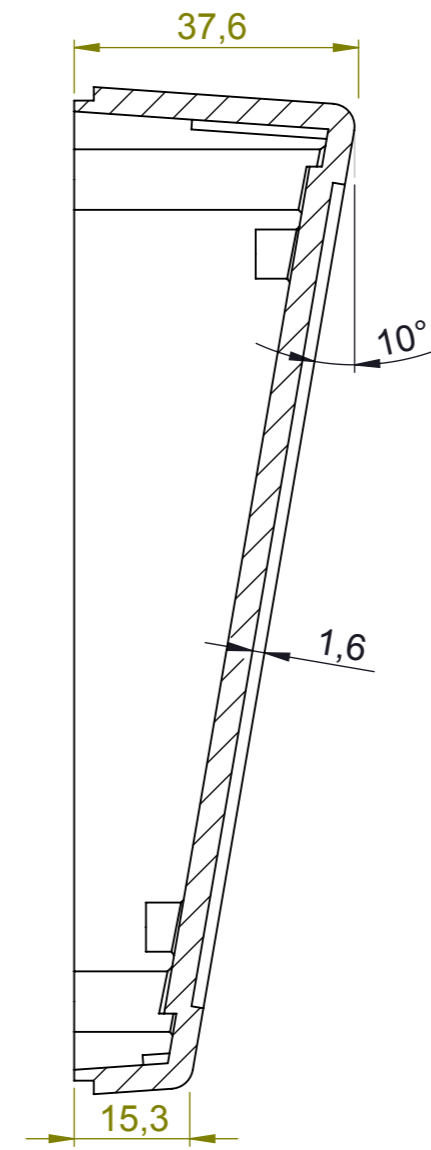
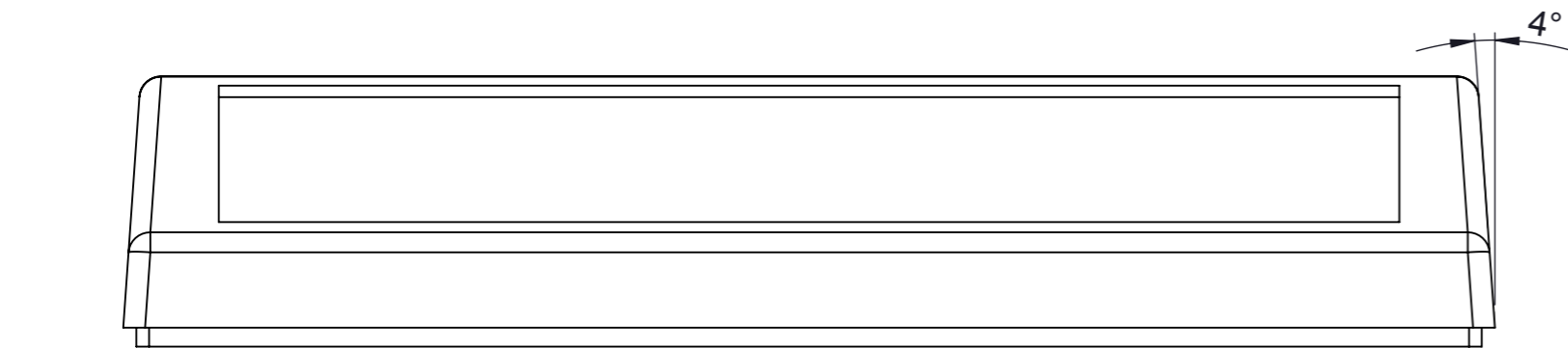
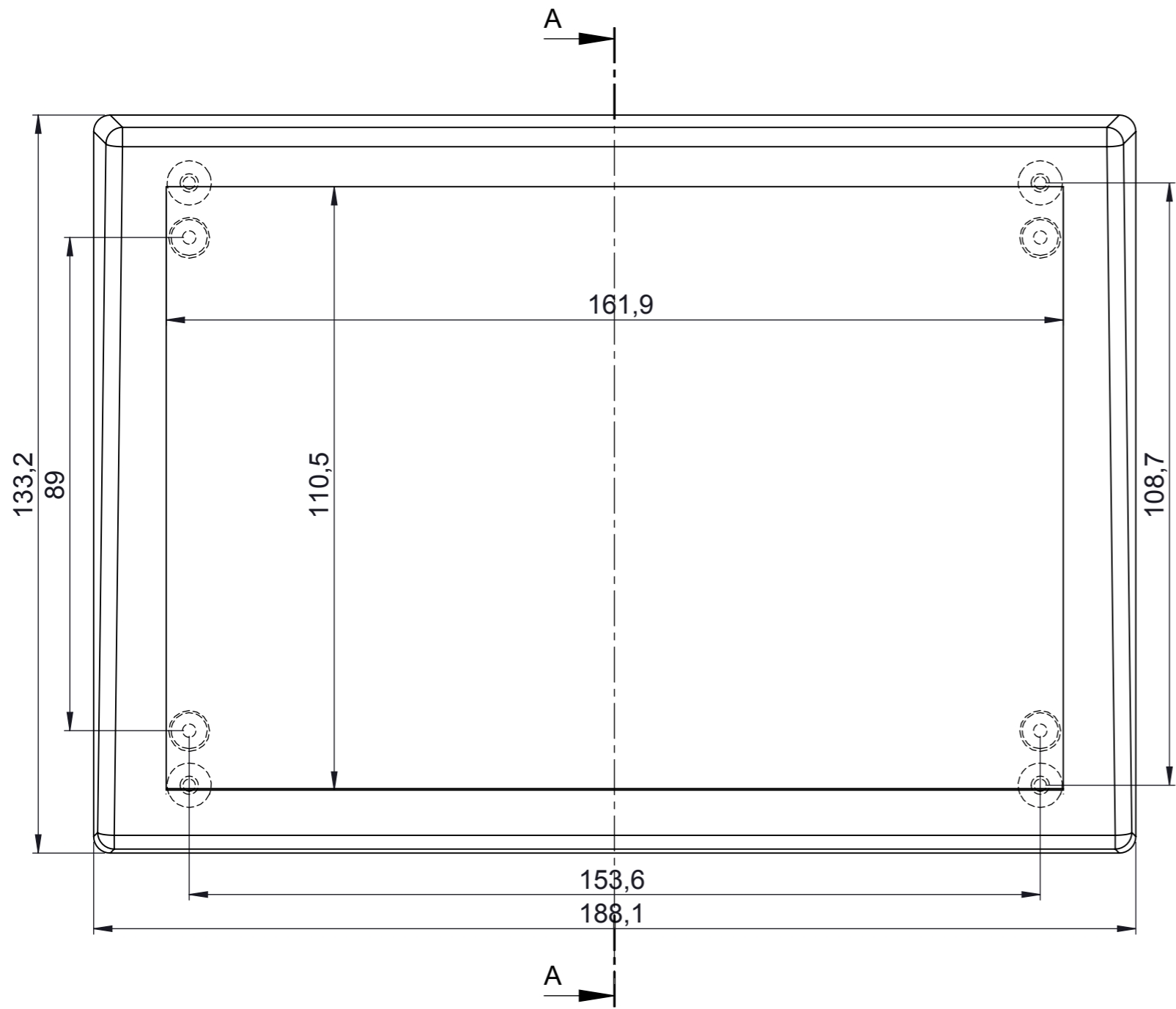
TITLE: **DT 130 Desktop Enclosure**

COMMENTS:

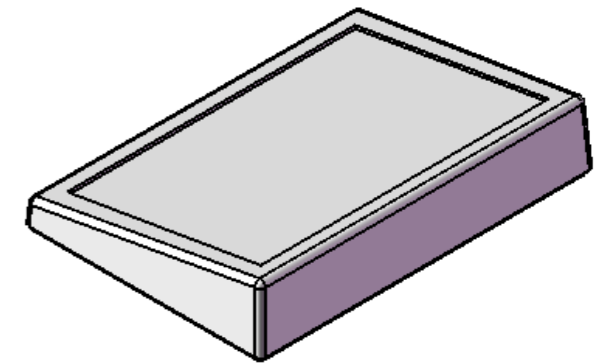
MATERIAL:

DWG NO: **DT-130-0-0-10298** A3

WEIGHT: \_\_\_\_\_ SCALE:1:1 SHEET 1 OF 1



SECTION A-A



PROPRIETARY AND CONFIDENTIAL  
 THE INFORMATION CONTAINED IN THIS  
 DRAWING IS THE SOLE PROPERTY OF  
 ALTINKAYA ENCLOSURES. ANY  
 REPRODUCTION IN PART OR AS A WHOLE  
 WITHOUT THE WRITTEN PERMISSION OF  
 ALTINKAYA ENCLOSURES IS PROHIBITED.

ARTICLE NO: \_\_\_\_\_ REVISION: \_\_\_\_\_

	NAME	DATE
DRAWN	Dursun Daşdemir	28.11.07
CHECKED	Ali Altıngök	28.11.07
COMMENTS:		

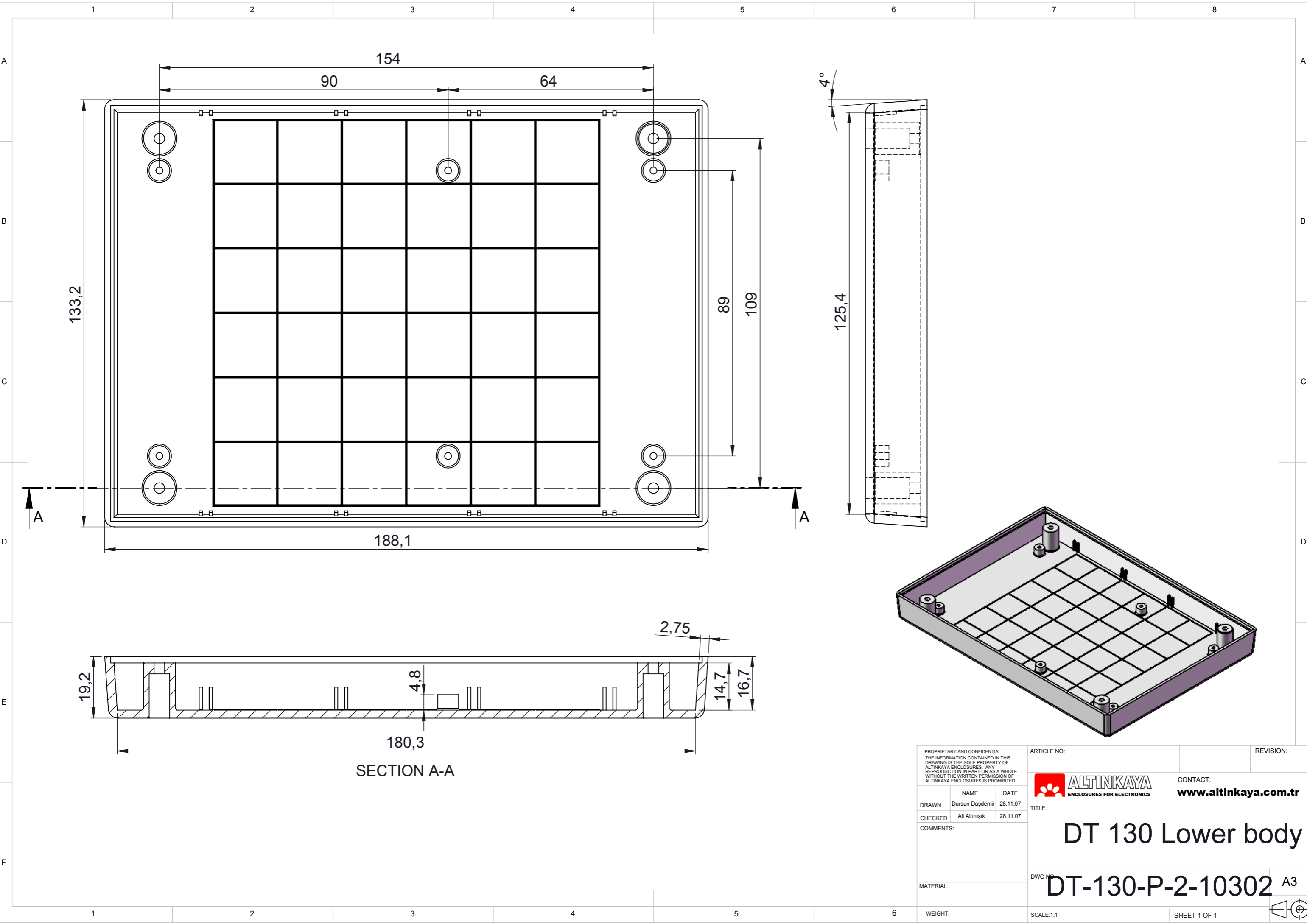
**ALTINKAYA**  
 ENCLOSURES FOR ELECTRONICS

CONTACT:  
[www.altinkaya.com.tr](http://www.altinkaya.com.tr)


TITLE:  
**DT 130 Upper body**

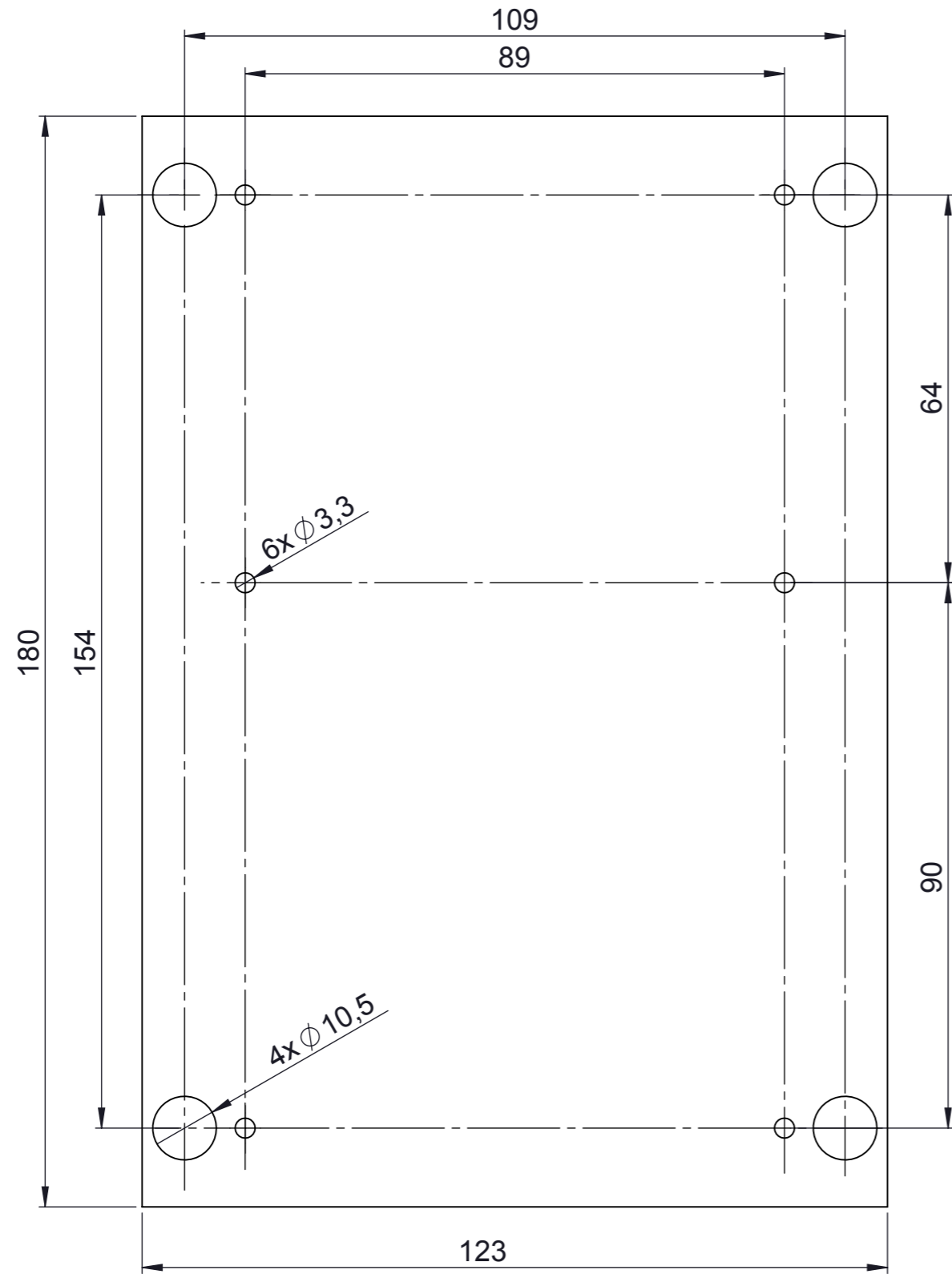
DWG NO:  
**DT-130-P-1-10300** A3


WEIGHT: \_\_\_\_\_ SCALE:1:1 SHEET 1 OF 1



SECTION A-A

<small>PROPRIETARY AND CONFIDENTIAL THE INFORMATION CONTAINED IN THIS DRAWING IS THE SOLE PROPERTY OF ALTINKAYA ENCLOSURES. ANY REPRODUCTION IN PART OR AS A WHOLE WITHOUT THE WRITTEN PERMISSION OF ALTINKAYA ENCLOSURES IS PROHIBITED.</small>		ARTICLE NO:	REVISION:								
<table border="1"> <thead> <tr> <th>NAME</th> <th>DATE</th> </tr> </thead> <tbody> <tr> <td>DRAWN Dursun Dagdemir</td> <td>28.11.07</td> </tr> <tr> <td>CHECKED Ali Altinçik</td> <td>28.11.07</td> </tr> <tr> <td colspan="2">COMMENTS:</td> </tr> </tbody> </table>		NAME	DATE	DRAWN Dursun Dagdemir	28.11.07	CHECKED Ali Altinçik	28.11.07	COMMENTS:			CONTACT: <a href="http://www.altinkaya.com.tr">www.altinkaya.com.tr</a>
NAME	DATE										
DRAWN Dursun Dagdemir	28.11.07										
CHECKED Ali Altinçik	28.11.07										
COMMENTS:											
MATERIAL:		TITLE: <b>DT 130 Lower body</b>									
WEIGHT:		DWG NO: <b>DT-130-P-2-10302</b>	A3								
SCALE:1:1		SHEET 1 OF 1									



<small>PROPRIETARY AND CONFIDENTIAL THE INFORMATION CONTAINED IN THIS DRAWING IS THE SOLE PROPERTY OF ALTINKAYA ENCLOSURES. ANY REPRODUCTION IN PART OR AS A WHOLE WITHOUT THE WRITTEN PERMISSION OF ALTINKAYA ENCLOSURES IS PROHIBITED.</small>		ARTICLE NO:	REVISION:
<small>DRAWN</small> Dursun Daşdemir 28.11.07 <small>CHECKED</small> Ali Altıngök 28.11.07 <small>COMMENTS:</small>		 <small>ENCLOSURES FOR ELECTRONICS</small>	<small>CONTACT:</small> <a href="http://www.altinkaya.com.tr">www.altinkaya.com.tr</a>
<small>MATERIAL:</small>		<h1>Not Included</h1>	
<small>WEIGHT:</small>		<small>DWG NO:</small> <h1>DT 130 PCB sample</h1>	<small>SCALE:</small> 1:1 <small>SHEET</small> 1 OF 1

