

SECTION A-A

ITEM NO.	PART NUMBER	DESCRIPTION	QTY.
1	DT-140-P-2-11190	DT 140 Lower body	1
2	A-99-0-0-G-0-11182	Plastic Battery Cover	1
3	DT-140-P-1-11188	DT-140 Cover Body	1

PROPRIETARY AND CONFIDENTIAL
 THE INFORMATION CONTAINED IN THIS
 DRAWING IS THE SOLE PROPERTY OF
 ALTINKAYA ENCLOSURES. ANY
 REPRODUCTION IN PART OR AS A WHOLE
 WITHOUT THE WRITTEN PERMISSION OF
 ALTINKAYA ENCLOSURES IS PROHIBITED.

NAME	DATE
DRAWN Dursun Daşdemir	
CHECKED Ali Altınışık	

COMMENTS:

MATERIAL:

WEIGHT:

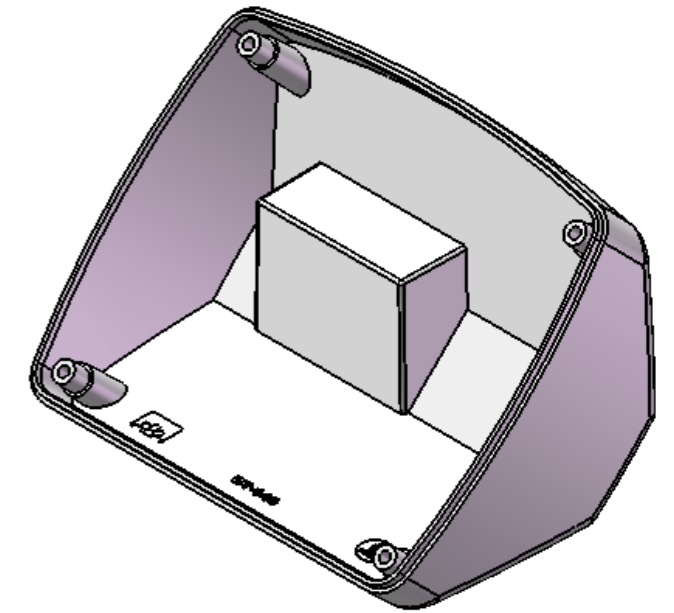
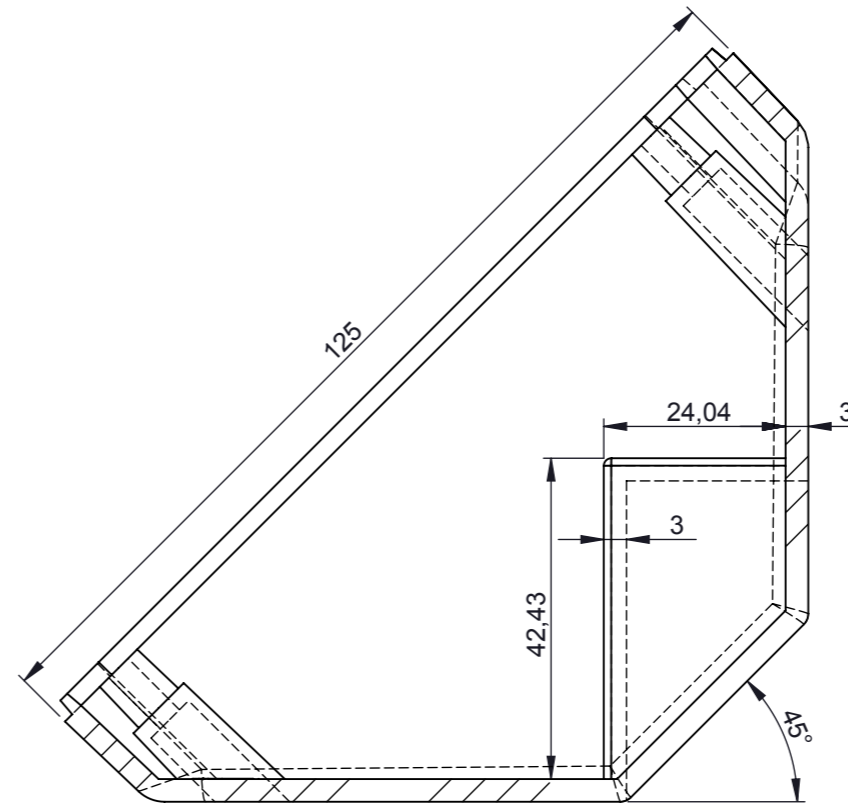
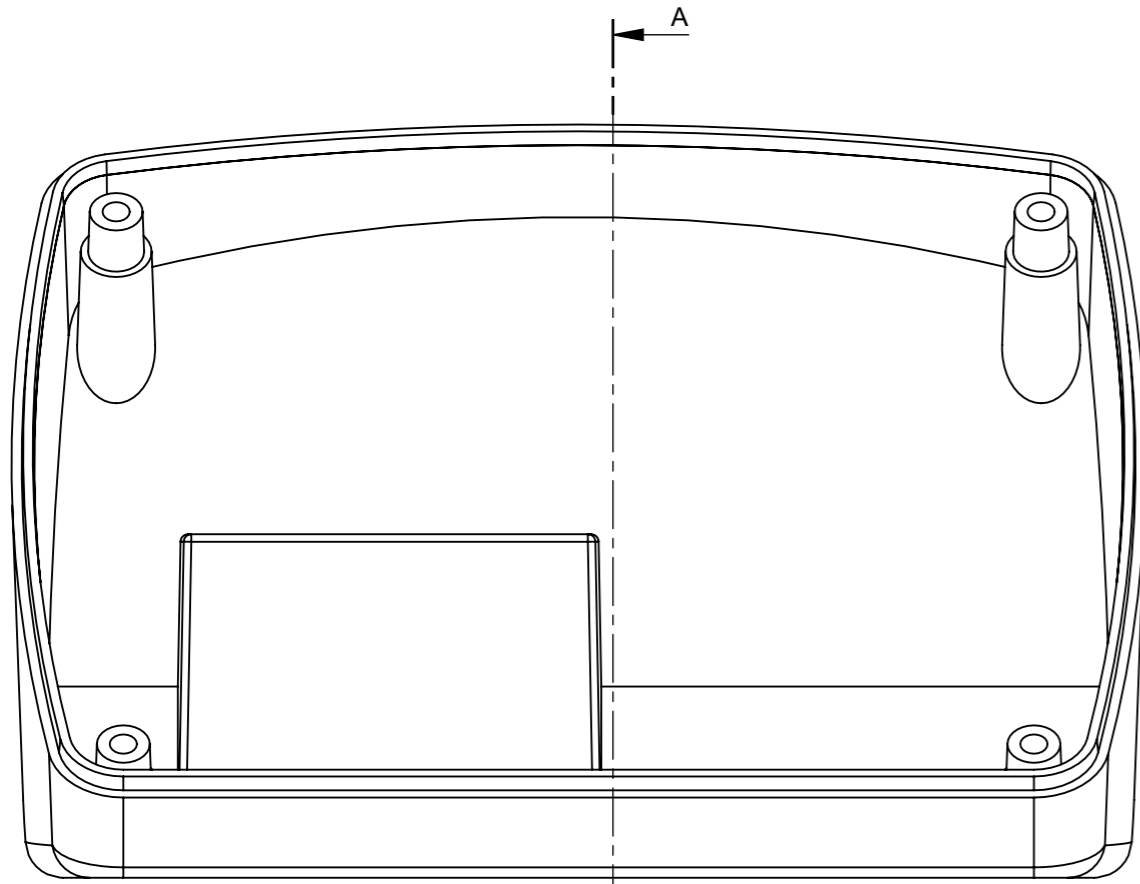
ARTICLE NO. _____ REVISION: _____

ALTINKAYA
 ENCLOSURES FOR ELECTRONICS
 CONTACT: www.altinkaya.com.tr

TITLE:
DT 140 Desktop Enclosure

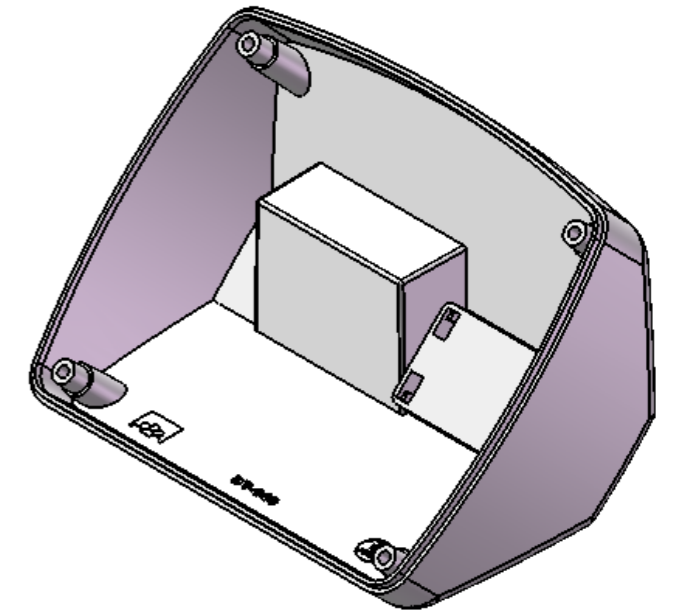
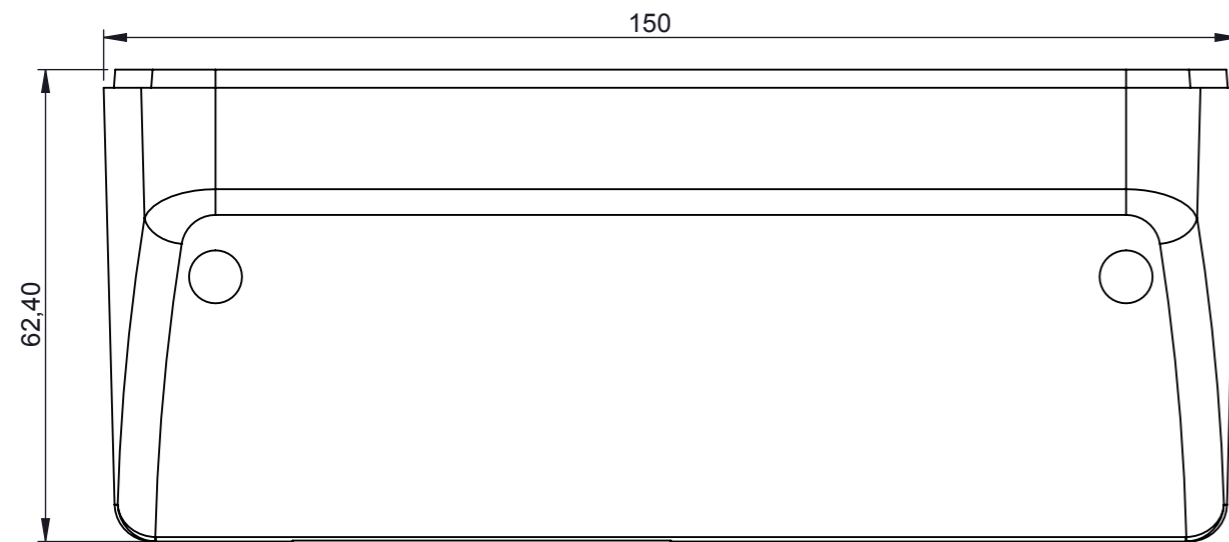
DWG NO. **DT-140-0-0-11184** A3

SCALE:1:1 SHEET 1 OF 1





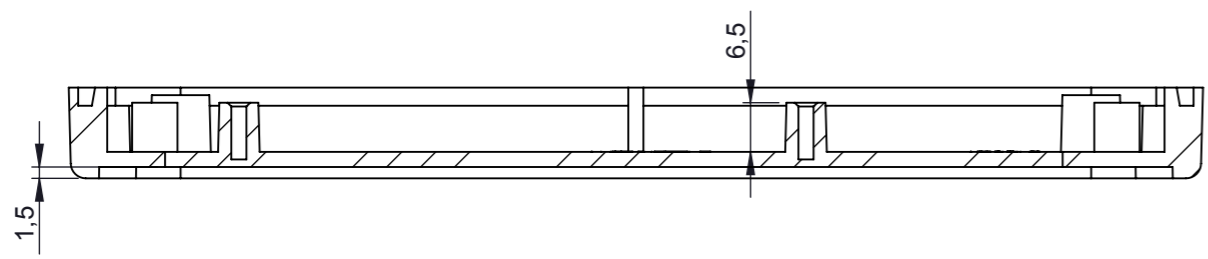
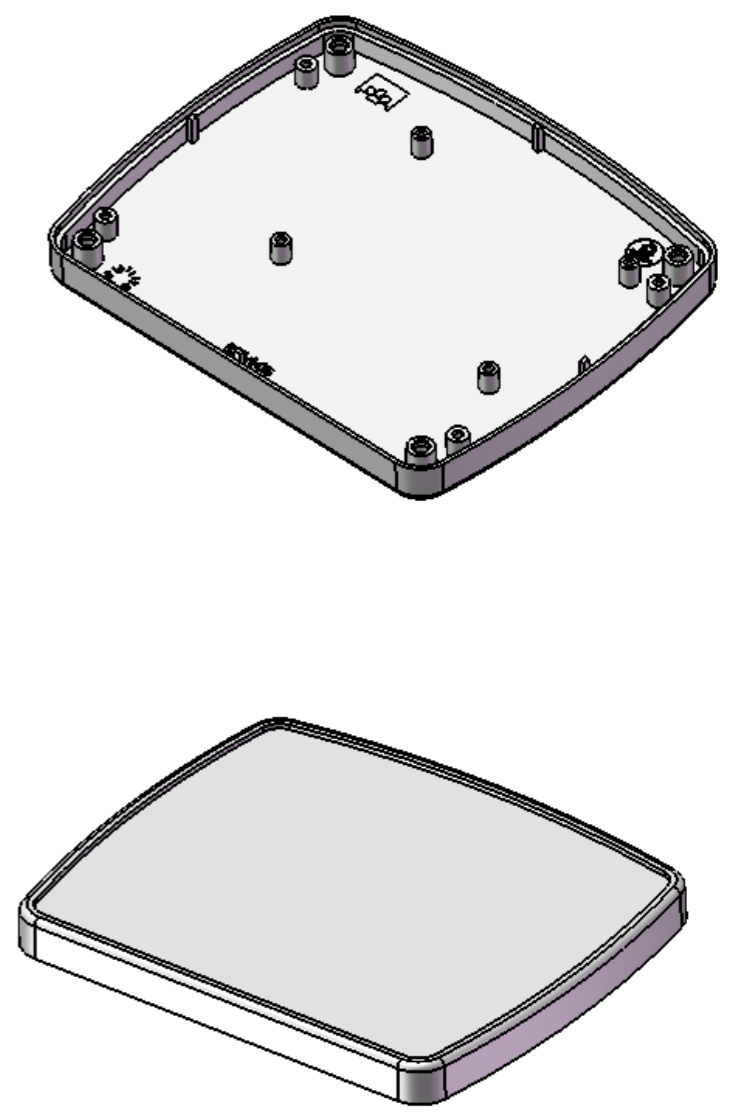
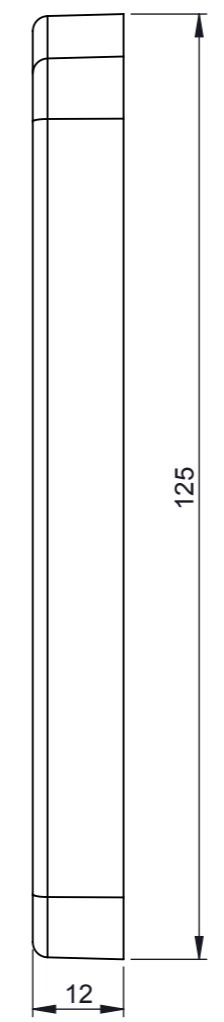
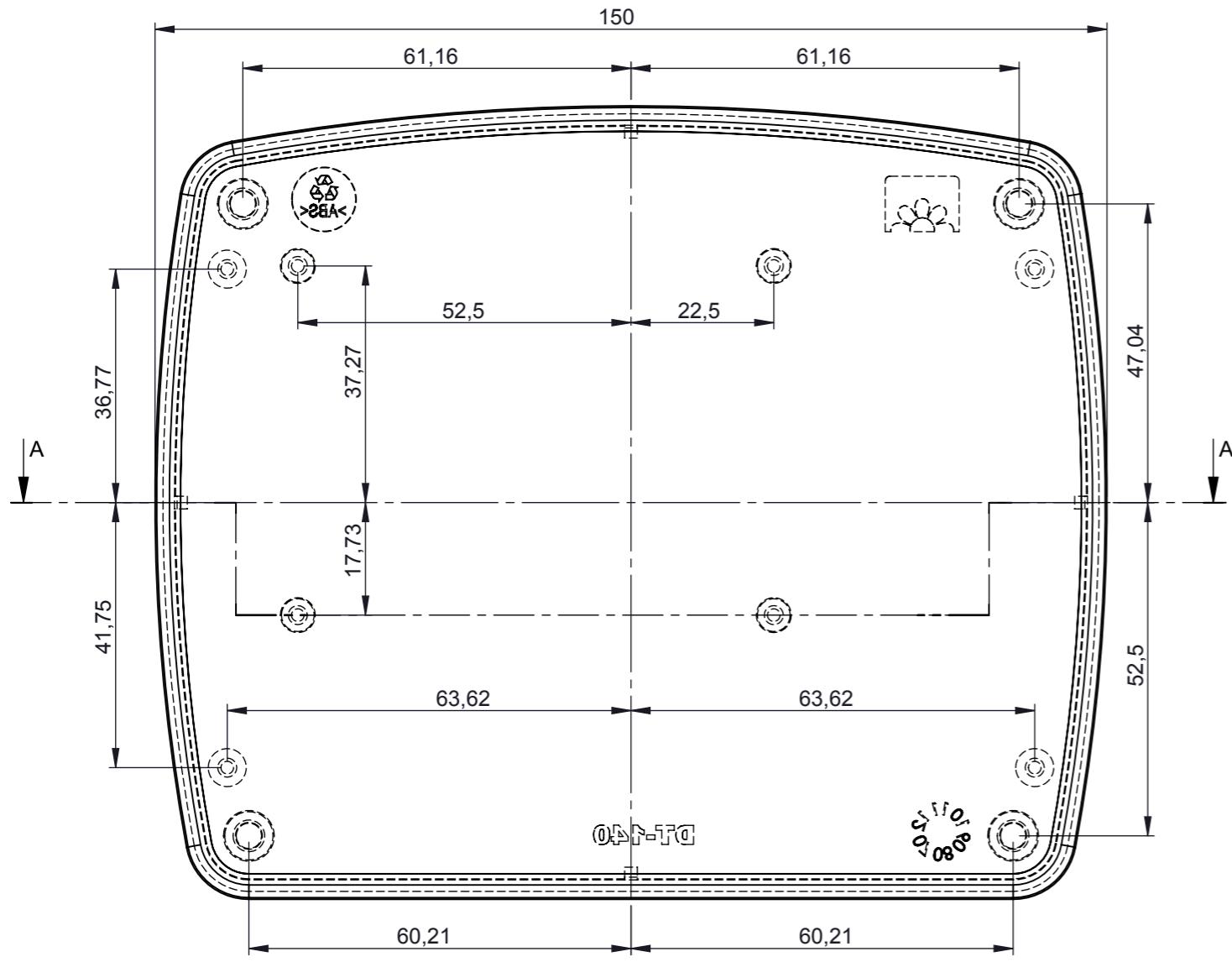
DT-140

SECTION A-A




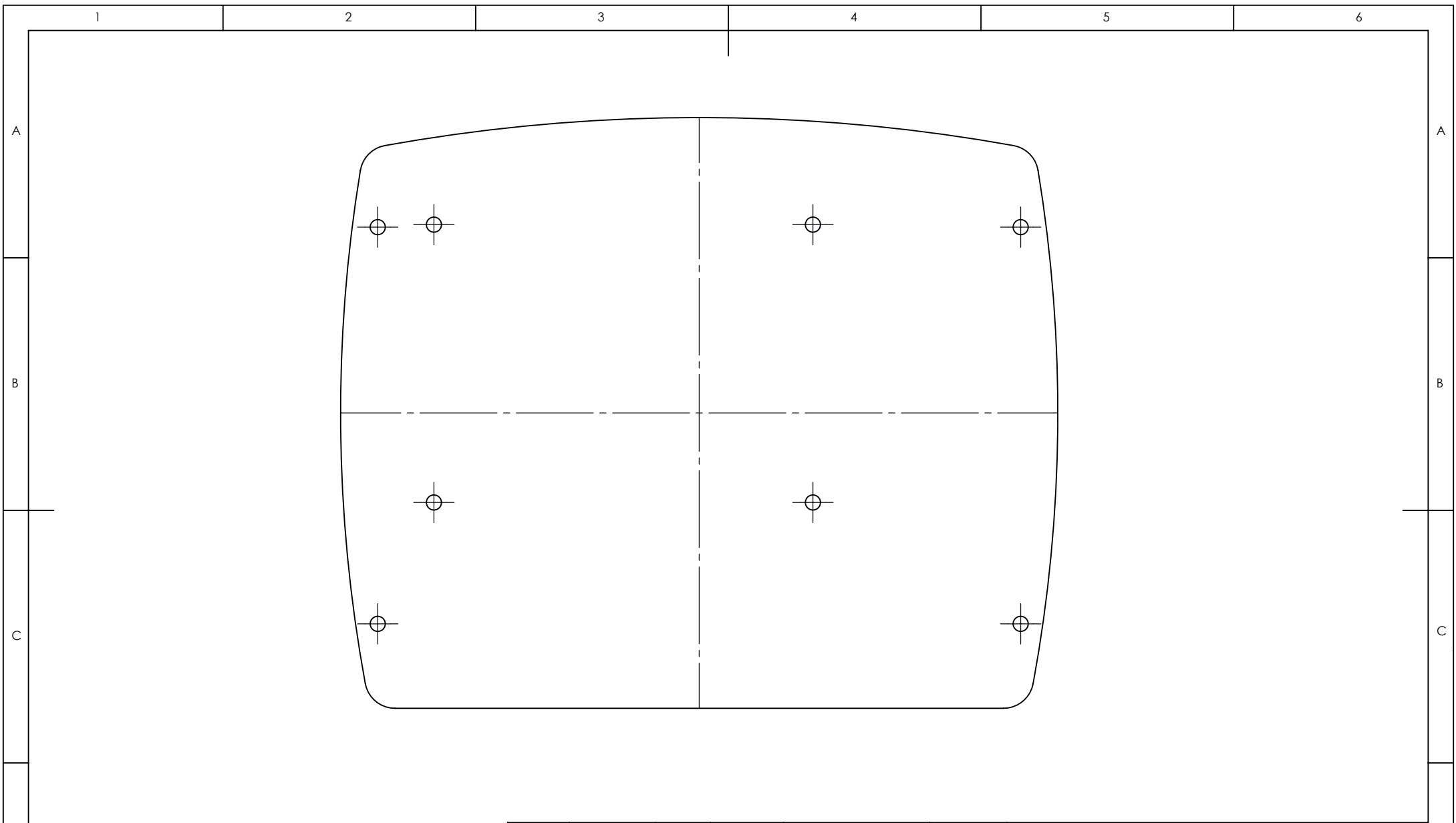
DT-140-A


<small>PROPRIETARY AND CONFIDENTIAL THE INFORMATION CONTAINED IN THIS DRAWING IS THE SOLE PROPERTY OF ALTINKAYA ENCLOSURES. ANY REPRODUCTION IN PART OR AS A WHOLE WITHOUT THE WRITTEN PERMISSION OF ALTINKAYA ENCLOSURES IS PROHIBITED.</small>		ARTICLE NO.:	REVISION:
<small>DRAWN</small> Dursun Daşdemir		 <small>ENCLOSURES FOR ELECTRONICS</small>	<small>CONTACT:</small> www.altinkaya.com.tr
<small>CHECKED</small> Ali Altınışık		<small>TITLE:</small> DT-140 Lower Body	
<small>COMMENTS:</small>		<small>DWG NO.</small>	DT-140-P-2-11190
<small>MATERIAL:</small>		<small>SCALE:</small> 1:1	A3
<small>WEIGHT:</small>		<small>SHEET 1 OF 1</small>	



SECTION A-A

<small>PROPRIETARY AND CONFIDENTIAL. THE INFORMATION CONTAINED IN THIS DRAWING IS THE SOLE PROPERTY OF ALTINKAYA ENCLOSURES. ANY REPRODUCTION IN PART OR AS A WHOLE WITHOUT THE WRITTEN PERMISSION OF ALTINKAYA ENCLOSURES IS PROHIBITED.</small>		ARTICLE NO.:	REVISION:						
<table border="1"> <tr> <th>NAME</th> <th>DATE</th> </tr> <tr> <td>Dursun Daşdemir</td> <td></td> </tr> <tr> <td>Ali Altınışık</td> <td></td> </tr> </table>		NAME	DATE	Dursun Daşdemir		Ali Altınışık			CONTACT: www.altinkaya.com.tr
NAME	DATE								
Dursun Daşdemir									
Ali Altınışık									
DRAWN: Dursun Daşdemir CHECKED: Ali Altınışık COMMENTS:		<h2>DT-140 Cover Body</h2>							
MATERIAL:		DWG NO. DT-140-P-1-11188	A3						
WEIGHT:		SCALE: 1:1	SHEET 1 OF 1						



	NAME	DATE	ARTICLE NO:	REVISION:	TITLE:	DT-140 Etiket Cebi	
DRAWN	Dursun Dağdemir						
CHECKED	Ali Altınışık		COMMENTS:			DWG NO.	A4
 ALTINKAYA ENCLOSURES FOR ELECTRONICS www.altinkaya.com.tr			DIMENSIONS ARE IN MILLIMETERS. DEBUR AND BREAK SHARP EDGES		etiket_cebi		
PROPRIETARY AND CONFIDENTIAL THE INFORMATION CONTAINED IN THIS DRAWING IS THE SOLE PROPERTY OF ALTINKAYA ENCLOSURES. ANY REPRODUCTION IN PART OR AS A WHOLE WITHOUT THE WRITTEN PERMISSION OF ALTINKAYA ENCLOSURES IS PROHIBITED.			MATERIAL:		WEIGHT:	SCALE:1:1	SHEET 1 OF 1

