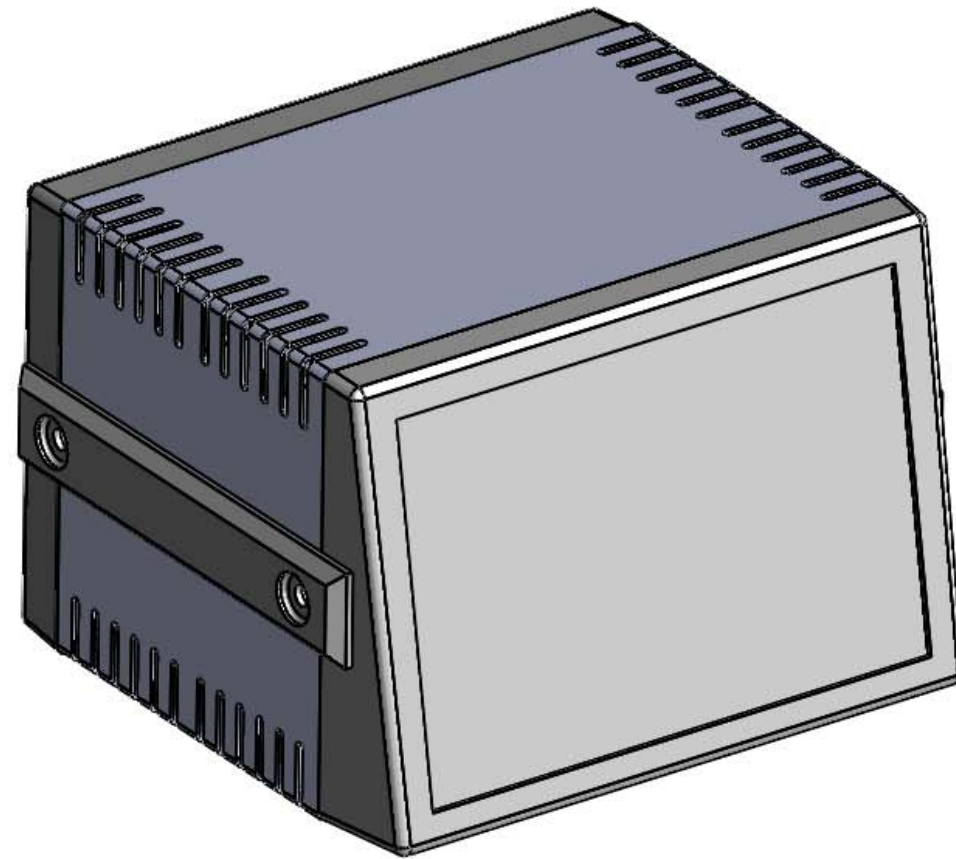


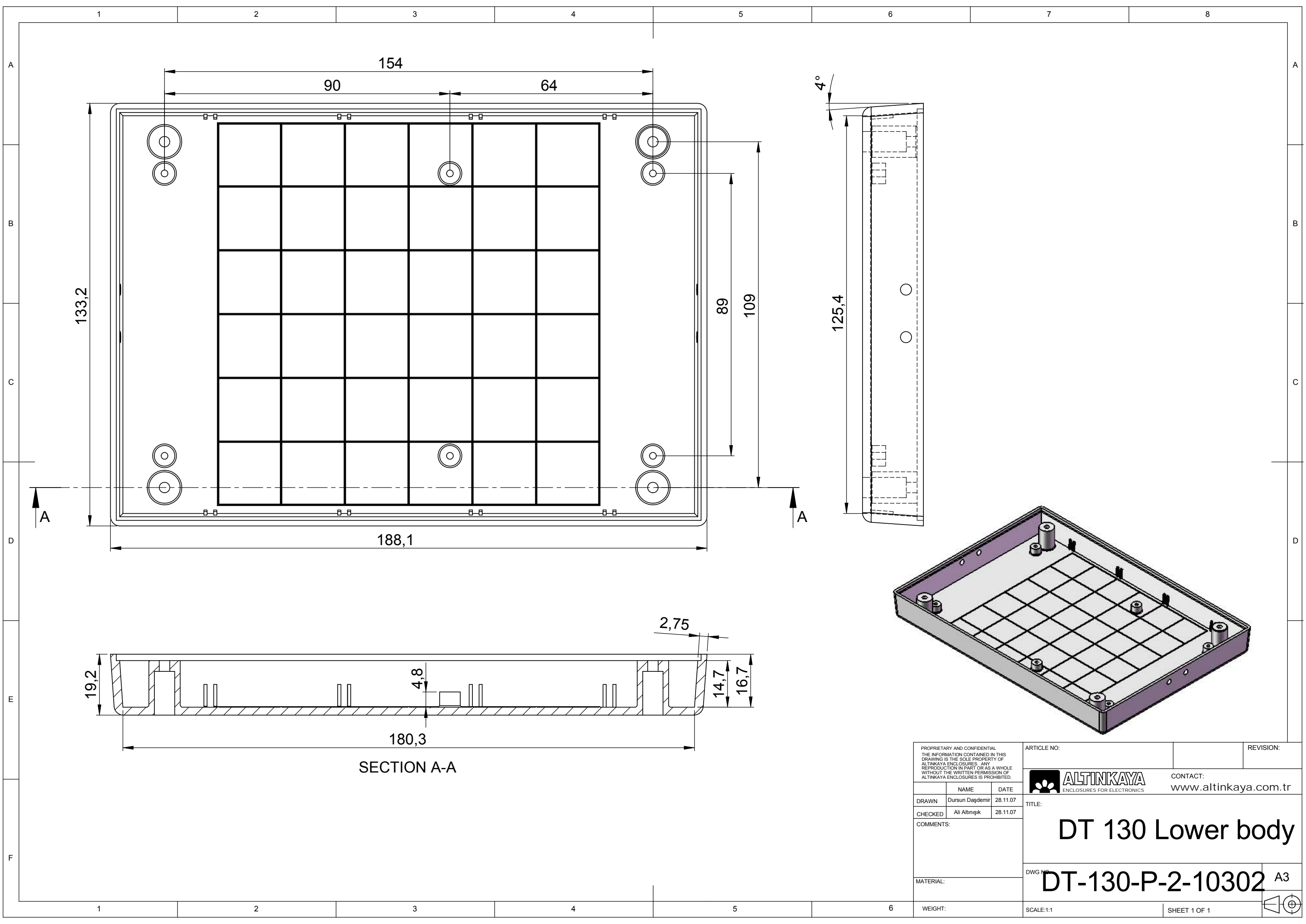

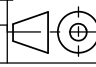


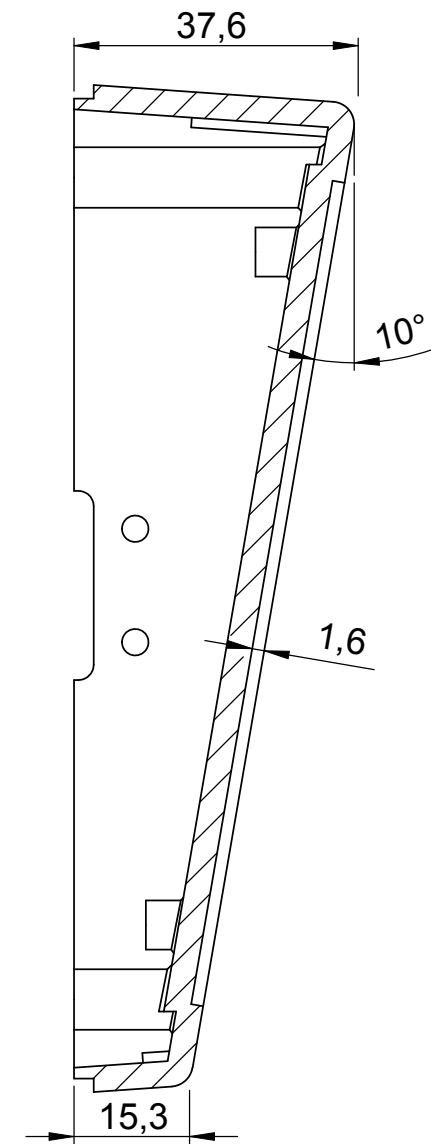
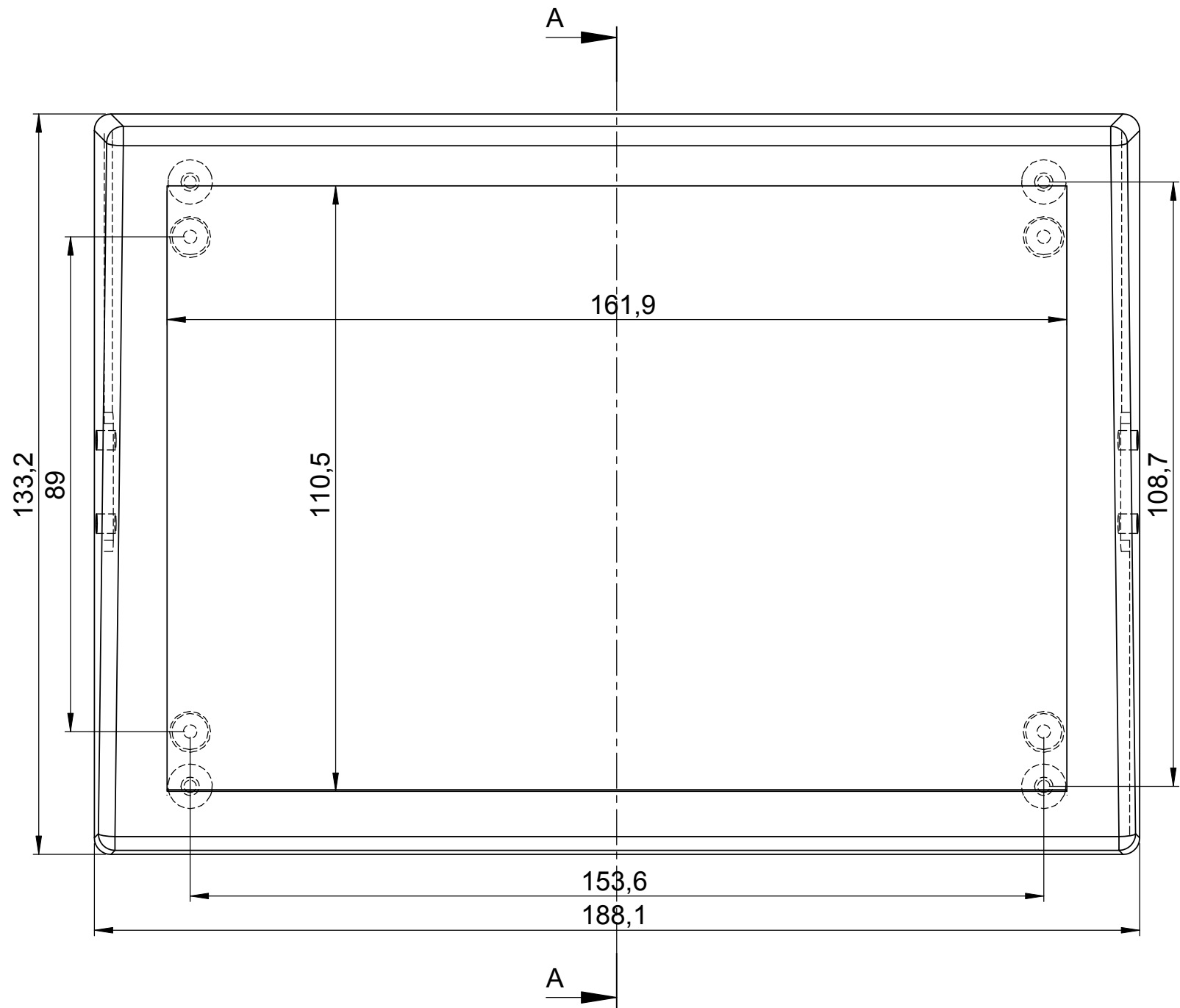
KESIT A-A



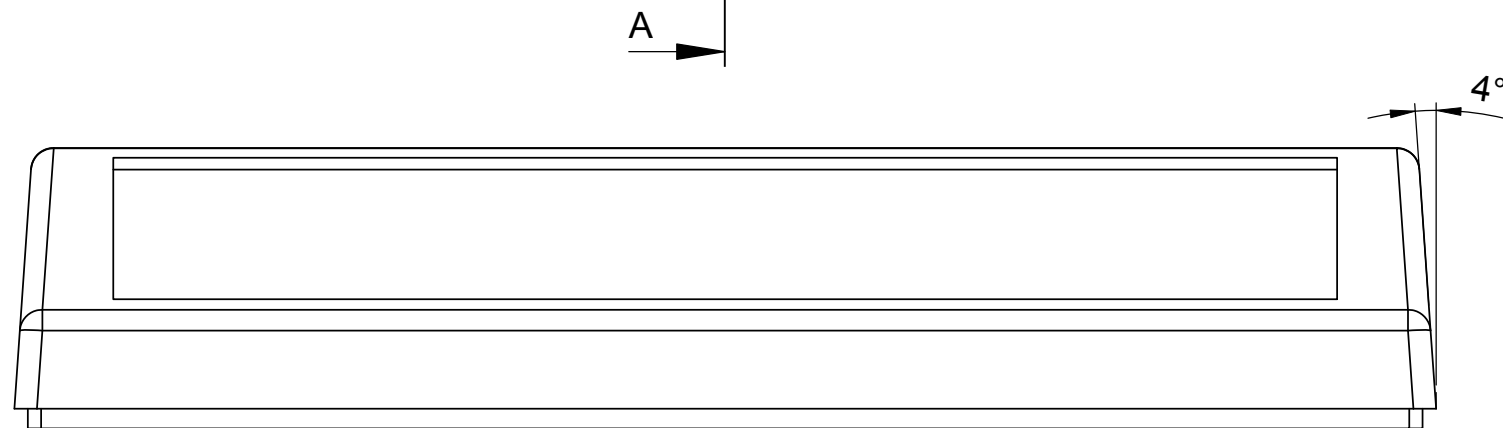
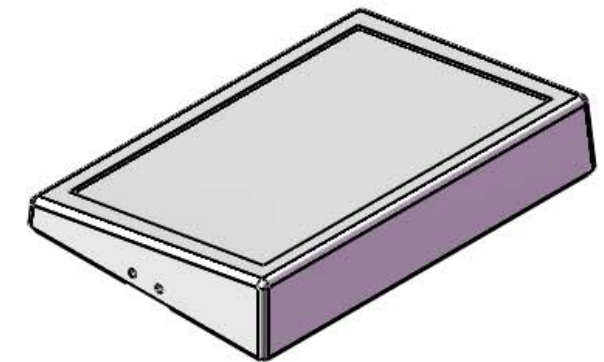
<small>PROPRIETARY AND CONFIDENTIAL THE INFORMATION CONTAINED IN THIS DRAWING IS THE SOLE PROPERTY OF ALTINKAYA ENCLOSURES. ANY REPRODUCTION IN PART OR AS A WHOLE WITHOUT THE WRITTEN PERMISSION OF ALTINKAYA ENCLOSURES IS PROHIBITED.</small>			ARTICLE NO:	REVISION:
<small>DRAWN</small> Dursun DAŞDEMİR <small>CHECKED</small> Ali Altınışık <small>COMMENTS:</small> <small>MATERIAL:</small> <small>WEIGHT:</small>			 ALTINKAYA <small>ENCLOSURES FOR ELECTRONICS</small>	<small>CONTACT:</small> www.altinkaya.com.tr
			<small>TITLE:</small>	
			<small>DWG NO.</small>	DT-430
			<small>SCALE:1:2</small>	A3
			<small>SHEET 1 OF 1</small>	



<small>PROPRIETARY AND CONFIDENTIAL THE INFORMATION CONTAINED IN THIS DRAWING IS THE SOLE PROPERTY OF ALTINKAYA ENCLOSURES. ANY REPRODUCTION IN PART OR AS A WHOLE WITHOUT THE WRITTEN PERMISSION OF ALTINKAYA ENCLOSURES IS PROHIBITED.</small>			ARTICLE NO:	REVISION:
<small>DRAWN Dursun Dağdemir 28.11.07 CHECKED Ali Altıngök 28.11.07 COMMENTS:</small>			 <small>ENCLOSURES FOR ELECTRONICS</small>	<small>CONTACT: www.altinkaya.com.tr</small>
<small>MATERIAL:</small>			<h1>DT 130 Lower body</h1>	
<small>WEIGHT:</small>			<small>DWG NO:</small> <h2>DT-130-P-2-10302</h2>	<small>SCALE:</small> 1:1
			<small>SHEET</small> 1 OF 1	



SECTION A-A



PROPRIETARY AND CONFIDENTIAL
THE INFORMATION CONTAINED IN THIS
DRAWING IS THE SOLE PROPERTY OF
ALTINKAYA ENCLOSURES. ANY
REPRODUCTION IN PART OR AS A WHOLE
WITHOUT THE WRITTEN PERMISSION OF
ALTINKAYA ENCLOSURES IS PROHIBITED.

ARTICLE NO:

REVISION:

	NAME	DATE
DRAWN	Dursun Daşdemir	28.11.07
CHECKED	Ali Altıngök	28.11.07



CONTACT:
www.altinkaya.com.tr

COMMENTS:

TITLE:

DT 130 Upper body

MATERIAL:

DWG NO:

DT-130-P-1-10300 A3

WEIGHT:

SCALE:1:1

SHEET 1 OF 1

