

ITEM NO.	PART NUMBER	DESCRIPTION	QTY.
1	HH-055-P-2-G-0-11117	HH-055 Cover	1
2	HH-055-P-1-G-0-11115	HH-055 Upper	1
3	A-646-0-0-M-0-11119	2,2 x 13 mm YHB SC Black Screw	4
4	PCB board sample	No Included	1
5	HH-055-P-3-G-0-11121	HH-055 Flat	2

PROPRIETARY AND CONFIDENTIAL
THE INFORMATION CONTAINED IN THIS
DRAWING IS THE SOLE PROPERTY OF
ALTINKAYA ENCLOSURES. ANY
REPRODUCTION IN PART OR AS A WHOLE
WITHOUT THE WRITTEN PERMISSION OF
ALTINKAYA ENCLOSURES IS PROHIBITED.

ARTICLE NO:

REVISION:

ALTINKAYA
ENCLOSURES FOR ELECTRONICS

CONTACT:
www.altinkaya.com.tr

DRAWN: Dursun Daşdemir
CHECKED: Ali Altıngök

TITLE:
HH-055 Handheld Enclosure

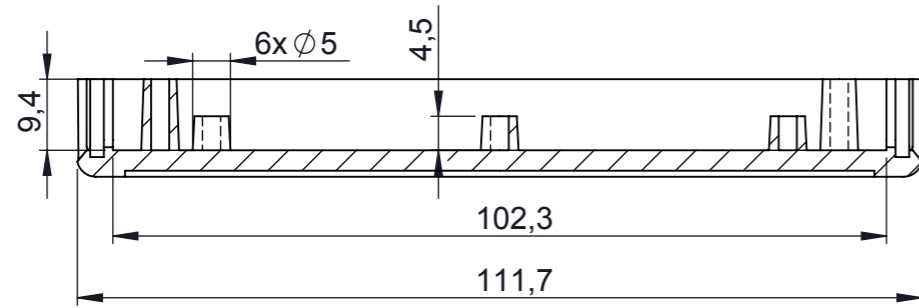
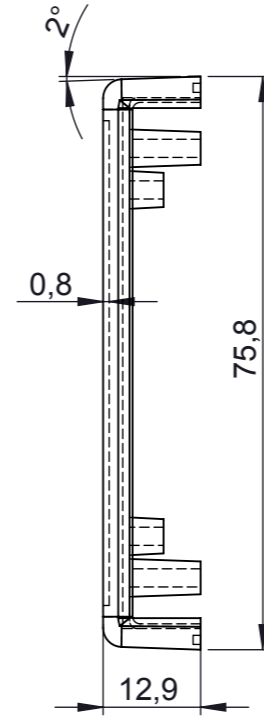
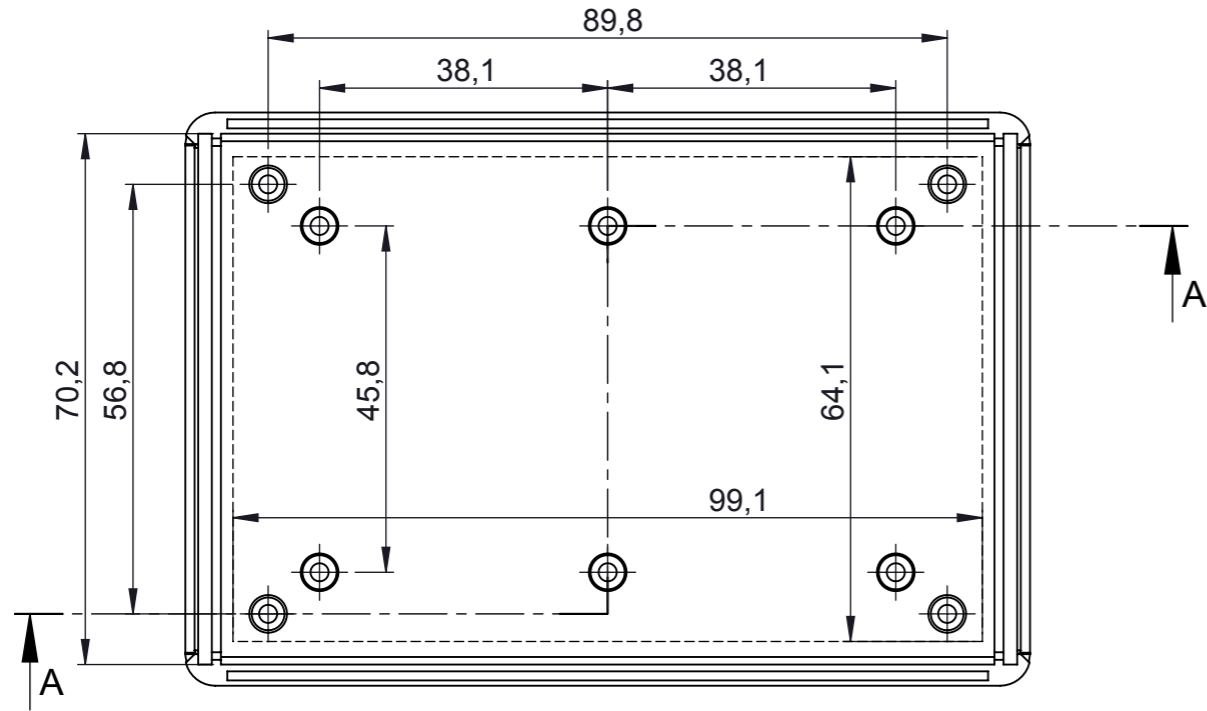
DWG NO:
HH-055-B-0-11112 A3

MATERIAL:

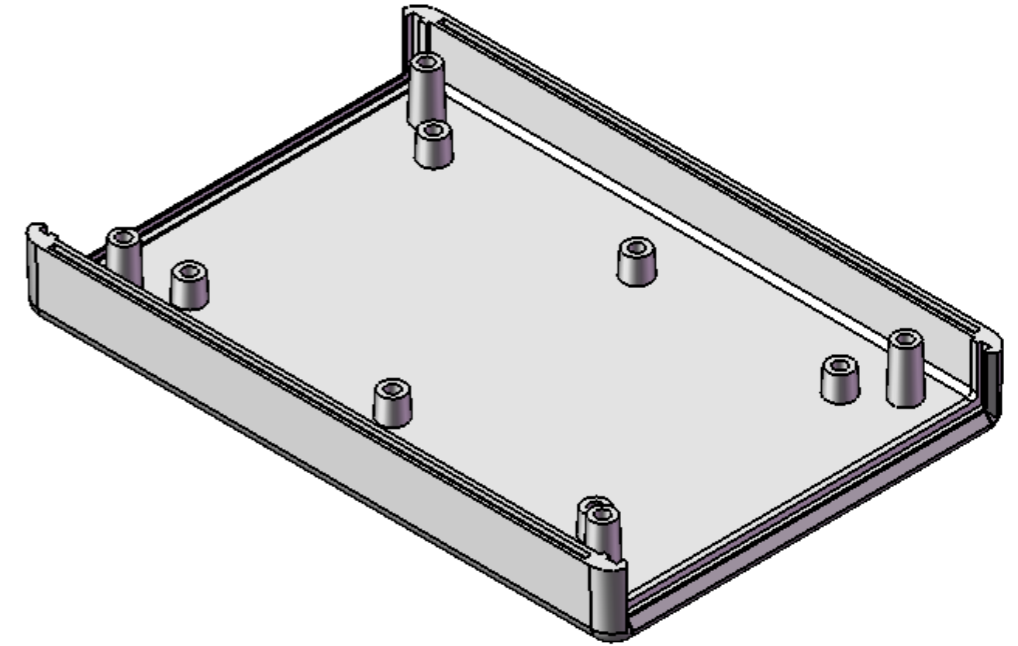
WEIGHT:

SCALE:1:1

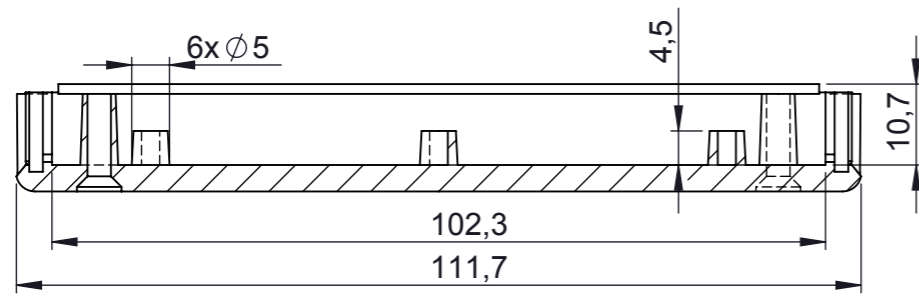
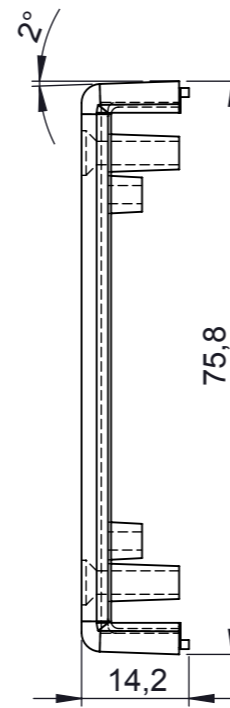
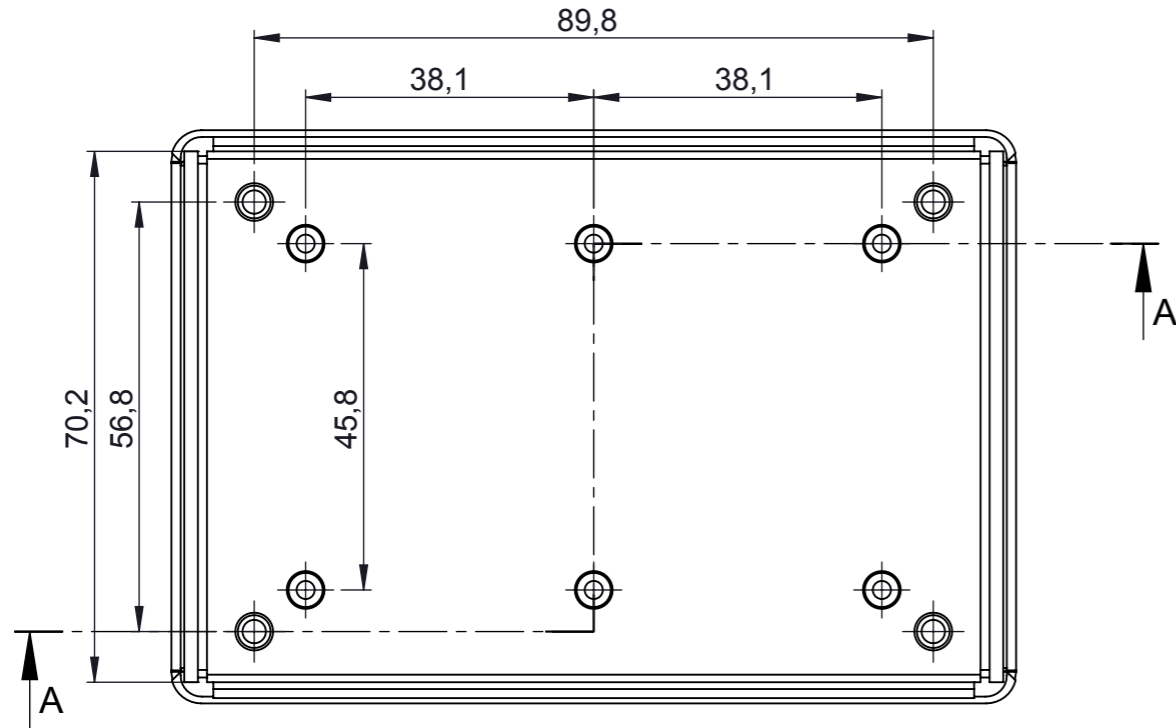
SHEET 1 OF 1



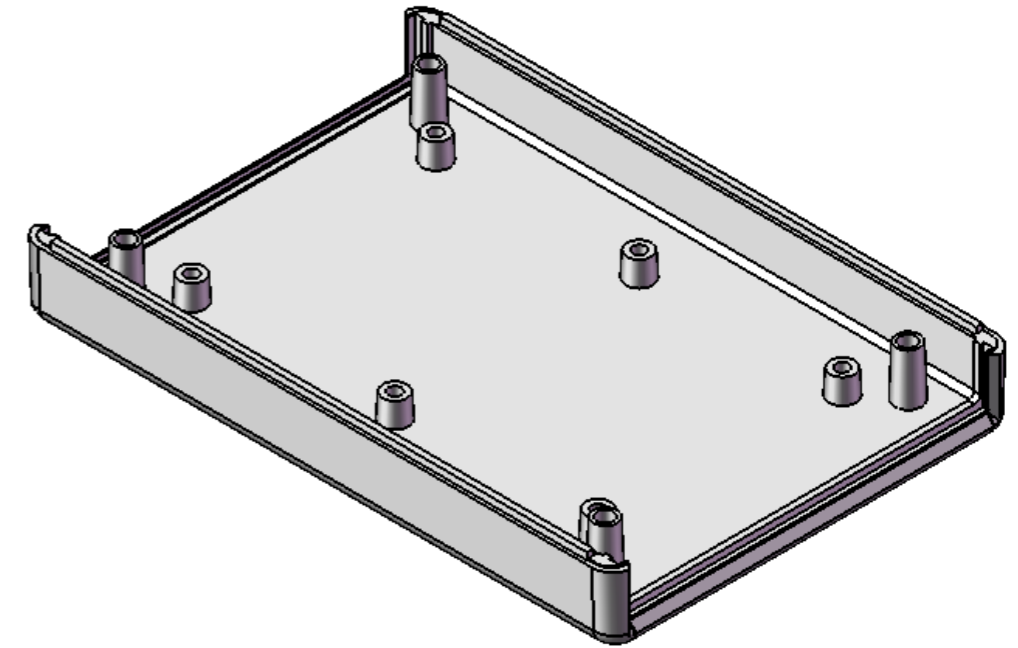
SECTION A-A





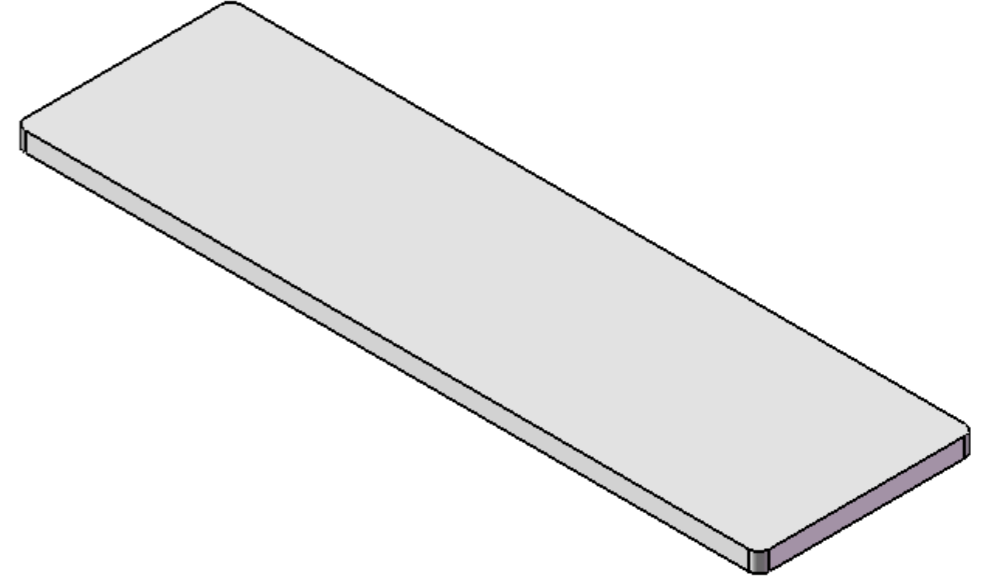
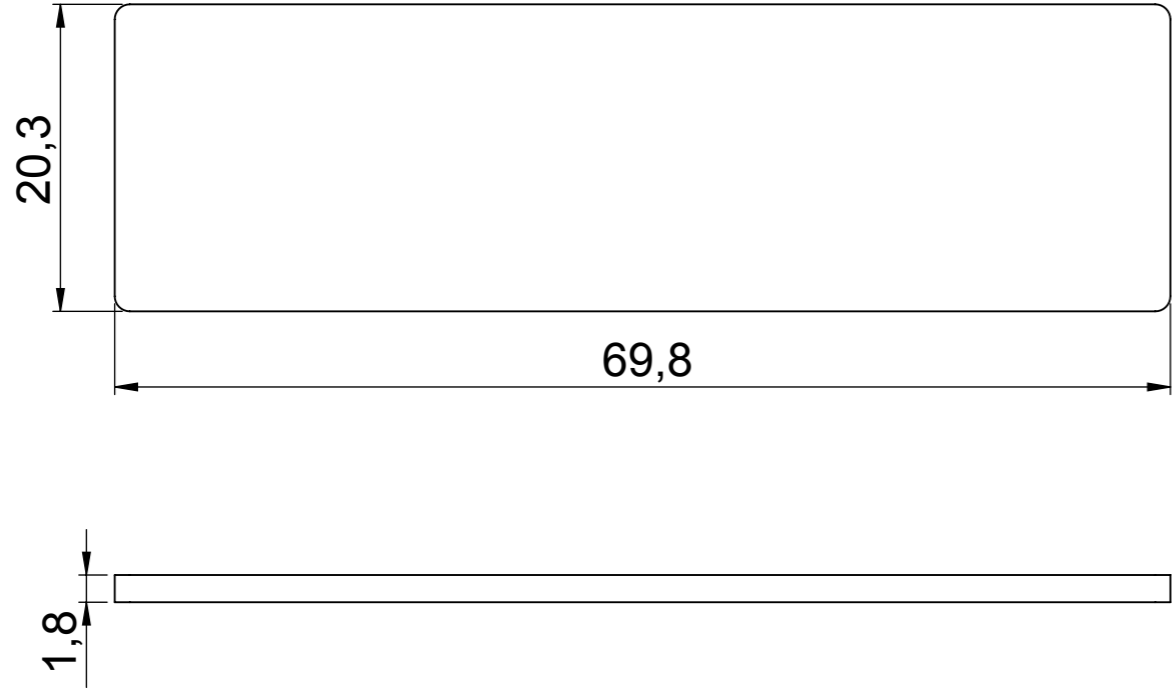
<small>PROPRIETARY AND CONFIDENTIAL THE INFORMATION CONTAINED IN THIS DRAWING IS THE SOLE PROPERTY OF ALTINKAYA ENCLOSURES. ANY REPRODUCTION IN PART OR AS A WHOLE WITHOUT THE WRITTEN PERMISSION OF ALTINKAYA ENCLOSURES IS PROHIBITED.</small>		ARTICLE NO:	REVISION:
<small>DRAWN</small> Dursun Daşdemir			<small>CONTACT:</small> www.altinkaya.com.tr
<small>CHECKED</small> Ali Altınışık		<small>TITLE:</small> <h1>HH-055 Upper</h1>	
<small>COMMENTS:</small>		<small>DWG NO:</small> <h2>HH-055-P-1-G-0-11115</h2>	
<small>MATERIAL:</small>		<small>SCALE:</small> 1:1	<small>SHEET</small> 1 OF 1
<small>WEIGHT:</small>			


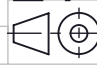


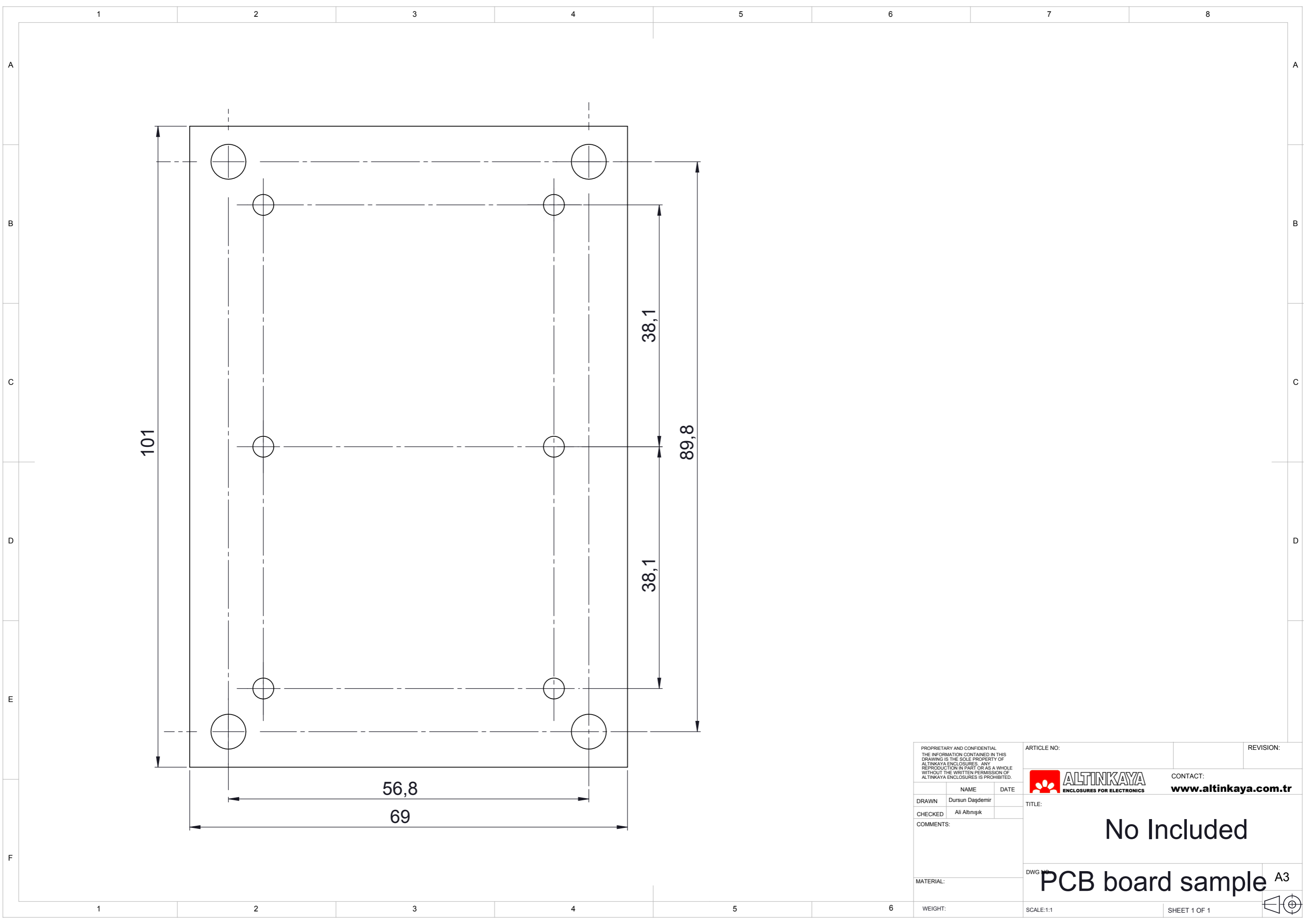
SECTION A-A



<small>PROPRIETARY AND CONFIDENTIAL THE INFORMATION CONTAINED IN THIS DRAWING IS THE SOLE PROPERTY OF ALTINKAYA ENCLOSURES. ANY REPRODUCTION IN PART OR AS A WHOLE WITHOUT THE WRITTEN PERMISSION OF ALTINKAYA ENCLOSURES IS PROHIBITED.</small>		ARTICLE NO:	REVISION:
<small>DRAWN</small> Dursun Daşdemir			<small>CONTACT:</small> www.altinkaya.com.tr
<small>CHECKED</small> Ali Altıngök		<small>TITLE:</small> <h1>HH-055 Cover</h1>	
<small>COMMENTS:</small>		<small>DWG NO:</small> <h2>HH-055-P-2-G-0-11117</h2>	
<small>MATERIAL:</small>		<small>SCALE:</small> 1:1	<small>SHEET</small> 1 OF 1
<small>WEIGHT:</small>			



<small>PROPRIETARY AND CONFIDENTIAL THE INFORMATION CONTAINED IN THIS DRAWING IS THE SOLE PROPERTY OF ALTINKAYA ENCLOSURES. ANY REPRODUCTION IN PART OR AS A WHOLE WITHOUT THE WRITTEN PERMISSION OF ALTINKAYA ENCLOSURES IS PROHIBITED.</small>			ARTICLE NO:	REVISION:
<small>DRAWN</small> Dursun Daşdemir			 ALTINKAYA ENCLOSURES FOR ELECTRONICS	<small>CONTACT:</small> www.altinkaya.com.tr
<small>CHECKED</small> Ali Altıngök			<small>TITLE:</small> <h1>HH-055 Flat</h1>	
<small>COMMENTS:</small>			<small>DWG NO:</small> <h1>HH-055-P-3-G-0-11121</h1>	
<small>MATERIAL:</small>			<small>SCALE:</small> 2:1	<small>SHEET</small> 1 OF 1
<small>WEIGHT:</small>				



PROPRIETARY AND CONFIDENTIAL
 THE INFORMATION CONTAINED IN THIS
 DRAWING IS THE SOLE PROPERTY OF
 ALTINKAYA ENCLOSURES. ANY
 REPRODUCTION IN PART OR AS A WHOLE
 WITHOUT THE WRITTEN PERMISSION OF
 ALTINKAYA ENCLOSURES IS PROHIBITED.

ARTICLE NO:

REVISION:



CONTACT:
www.altinkaya.com.tr

	NAME	DATE
DRAWN	Dursun Daşdemir	
CHECKED	Ali Altınışık	
COMMENTS:		

TITLE:

No Included

MATERIAL:

DWG NO:

PCB board sample

A3

WEIGHT:

SCALE:1:1

SHEET 1 OF 1

