

ITEM NO.	PART NUMBER	DESCRIPTION	QTY.
1	HH-062-P-2-11148	HH-062 Cover	1
2	HH-062-P-1-11146	HH-062 Body	1
3	A-614-0-0-M-0-11099	3 x 9,5 mm YSB PLS Metallic Screw	4
4	HH-062 PCB sample	Not Included	2

PROPRIETARY AND CONFIDENTIAL
THE INFORMATION CONTAINED IN THIS
DRAWING IS THE SOLE PROPERTY OF
ALTINKAYA ENCLOSURES. ANY
REPRODUCTION IN PART OR AS A WHOLE
WITHOUT THE WRITTEN PERMISSION OF
ALTINKAYA ENCLOSURES IS PROHIBITED.

ARTICLE NO: _____ REVISION: _____

ALTINKAYA
ENCLOSURES FOR ELECTRONICS

CONTACT:
www.altinkaya.com.tr

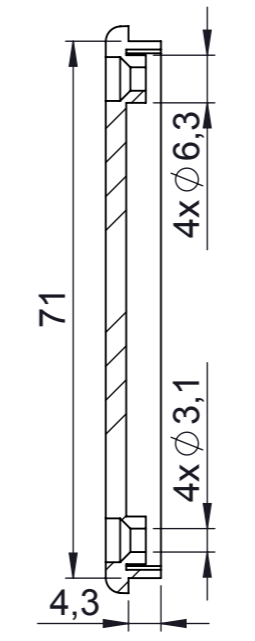
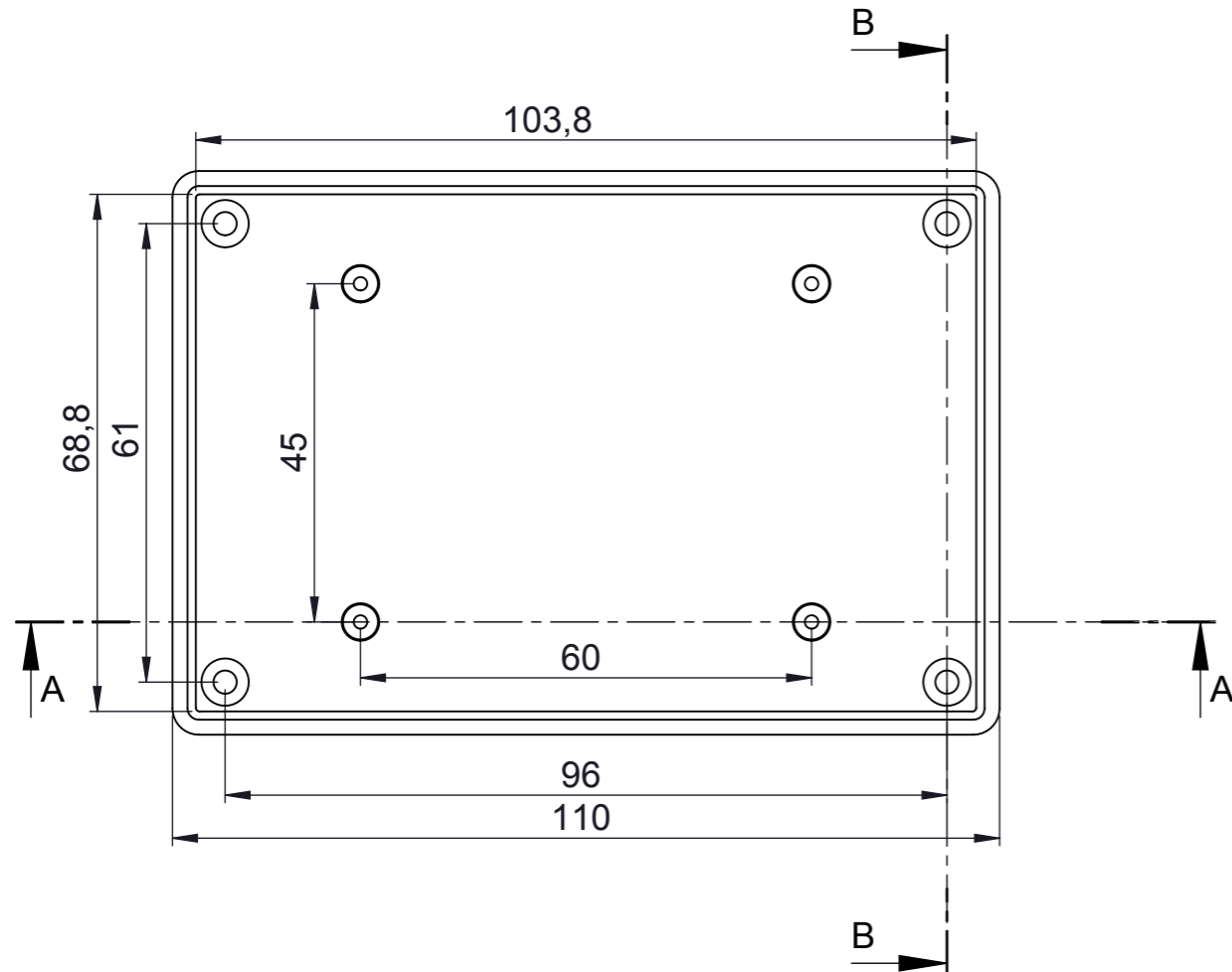
DRAWN: Dursun Dagdemir 22.07.08
CHECKED: Ali Altıngök 22.07.08
COMMENTS:

TITLE:
HH-062 Handheld Enclosure

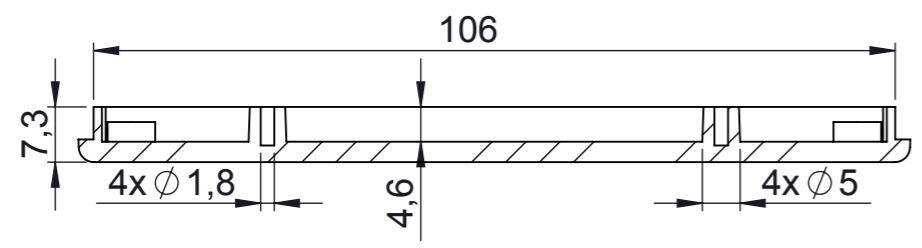
MATERIAL:

DWG NO: **HH-062-0-0-11144** A3

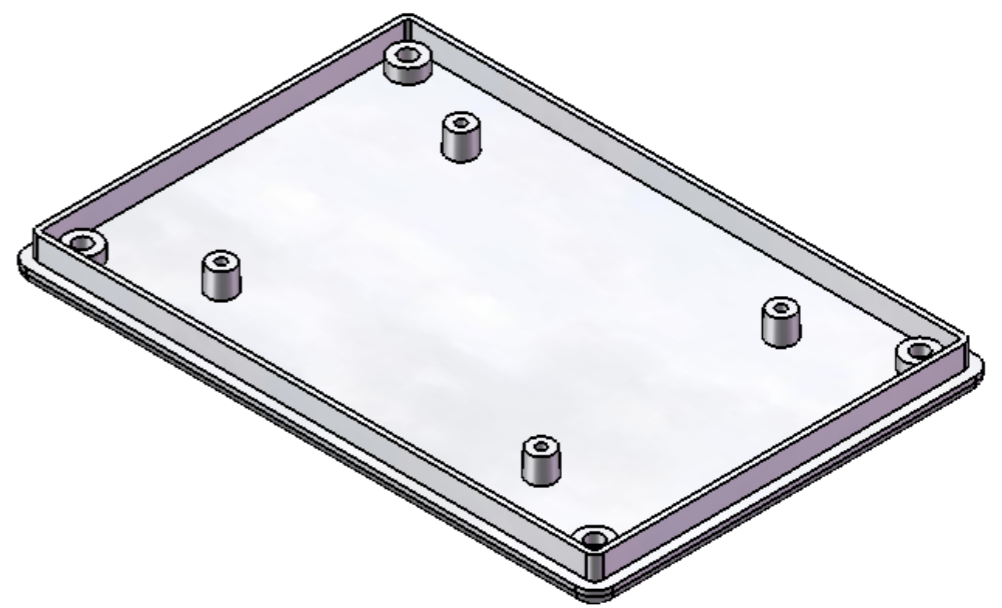
WEIGHT: _____ SCALE:1:1 SHEET 1 OF 1




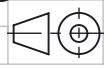
SECTION B-B

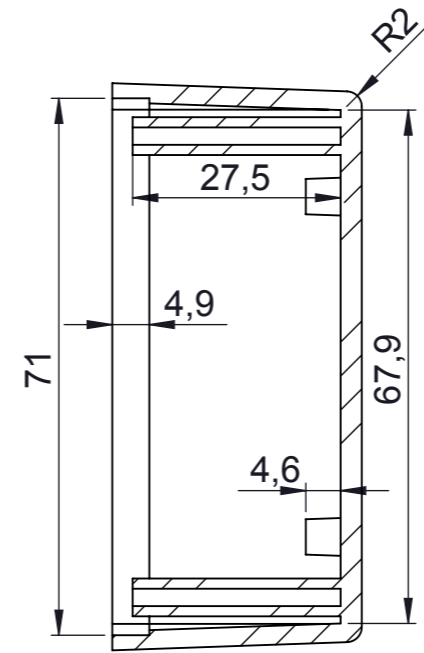
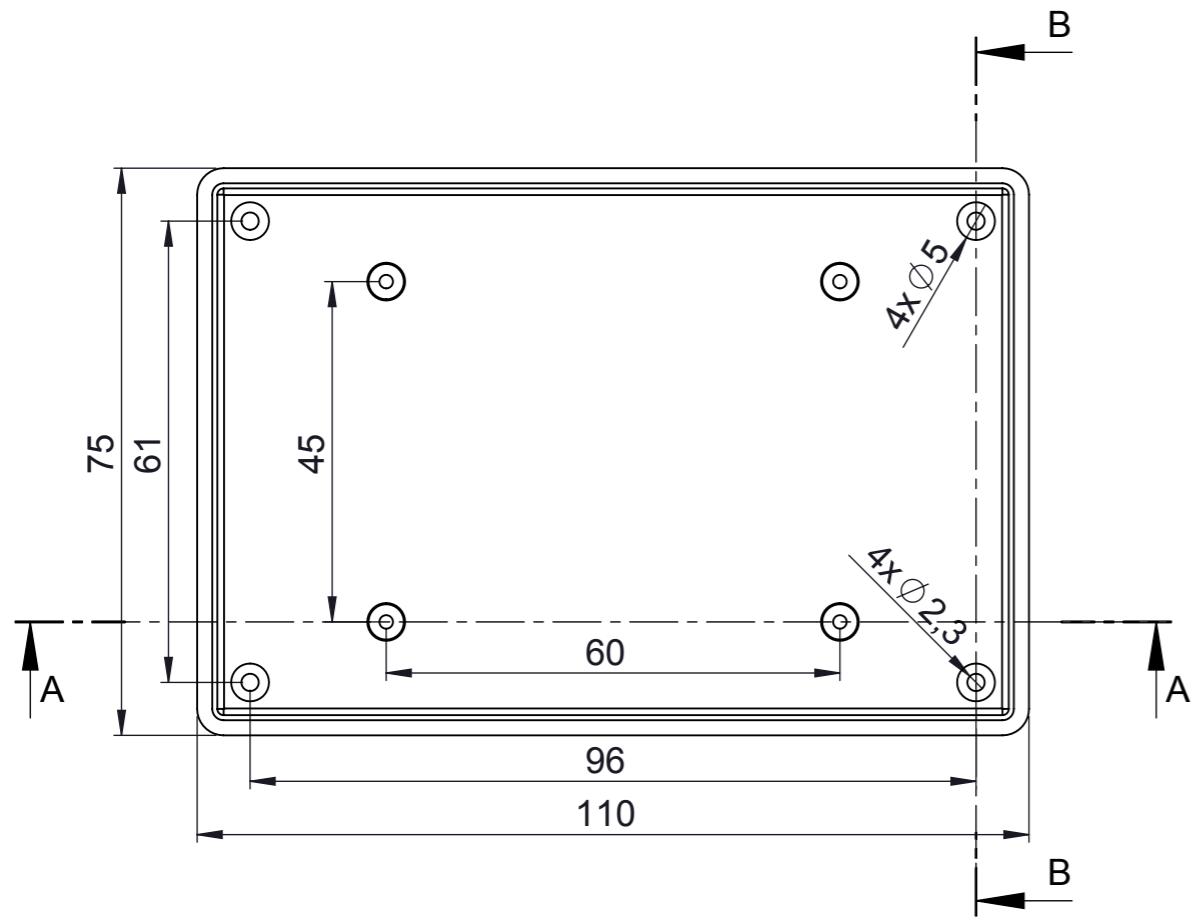


SECTION A-A

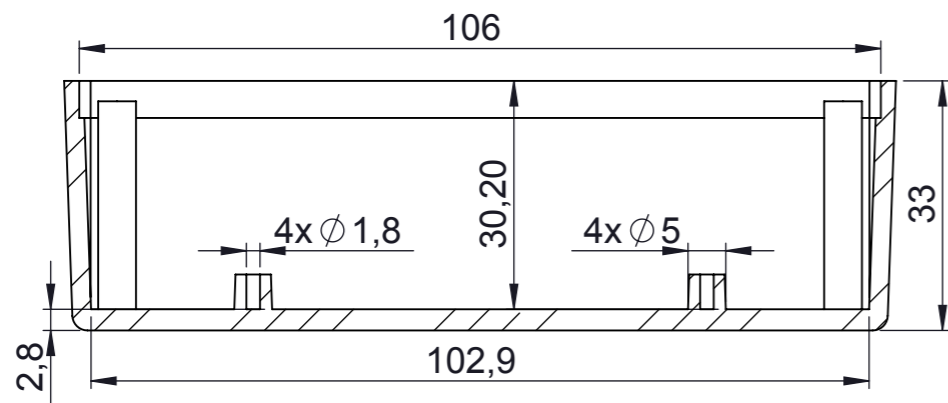


<small>PROPRIETARY AND CONFIDENTIAL THE INFORMATION CONTAINED IN THIS DRAWING IS THE SOLE PROPERTY OF ALTINKAYA ENCLOSURES. ANY REPRODUCTION IN PART OR AS A WHOLE WITHOUT THE WRITTEN PERMISSION OF ALTINKAYA ENCLOSURES IS PROHIBITED.</small>		ARTICLE NO:	REVISION:						
<table border="1"> <thead> <tr> <th>NAME</th> <th>DATE</th> </tr> </thead> <tbody> <tr> <td>Dursun Daşdemir</td> <td>22.07.08</td> </tr> <tr> <td>Ali Altınşık</td> <td>22.07.08</td> </tr> </tbody> </table>		NAME	DATE	Dursun Daşdemir	22.07.08	Ali Altınşık	22.07.08	 ENCLOSURES FOR ELECTRONICS	CONTACT: www.altinkaya.com.tr
NAME	DATE								
Dursun Daşdemir	22.07.08								
Ali Altınşık	22.07.08								
DRAWN: Dursun Daşdemir CHECKED: Ali Altınşık COMMENTS:		TITLE: <h1 style="text-align: center;">HH-062 Cover</h1>							
MATERIAL:		DWG NO: HH-062-P-2-11148 A3							
WEIGHT:		SCALE: 1:1	SHEET 1 OF 1						

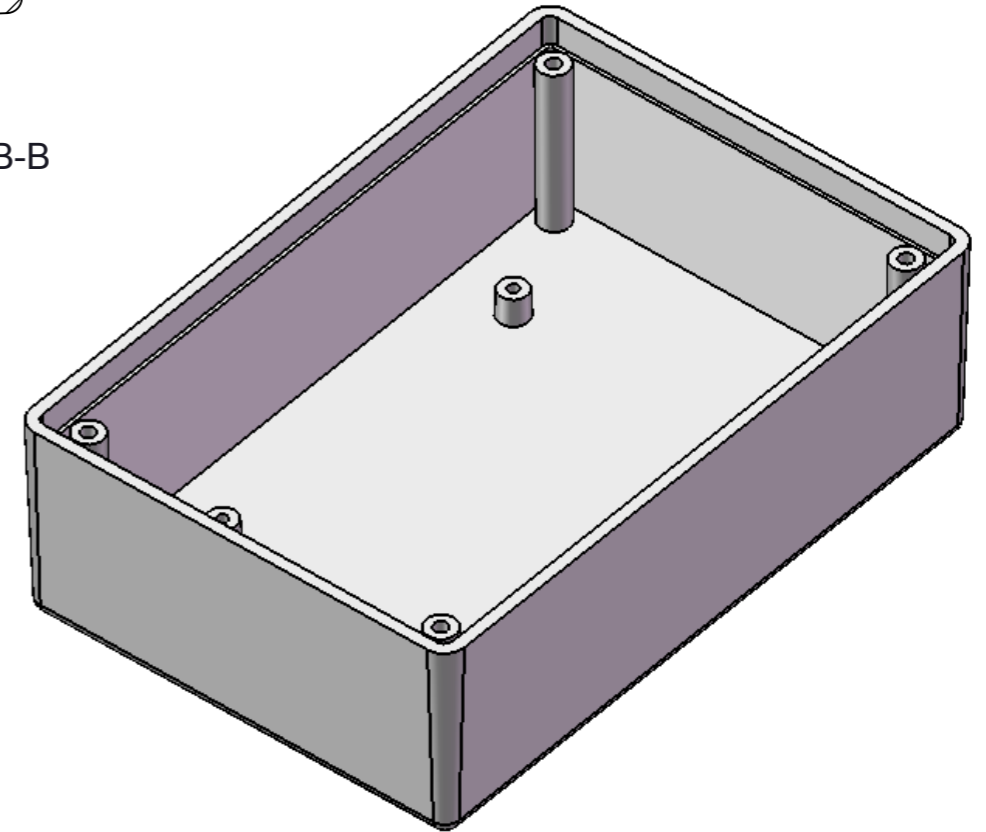





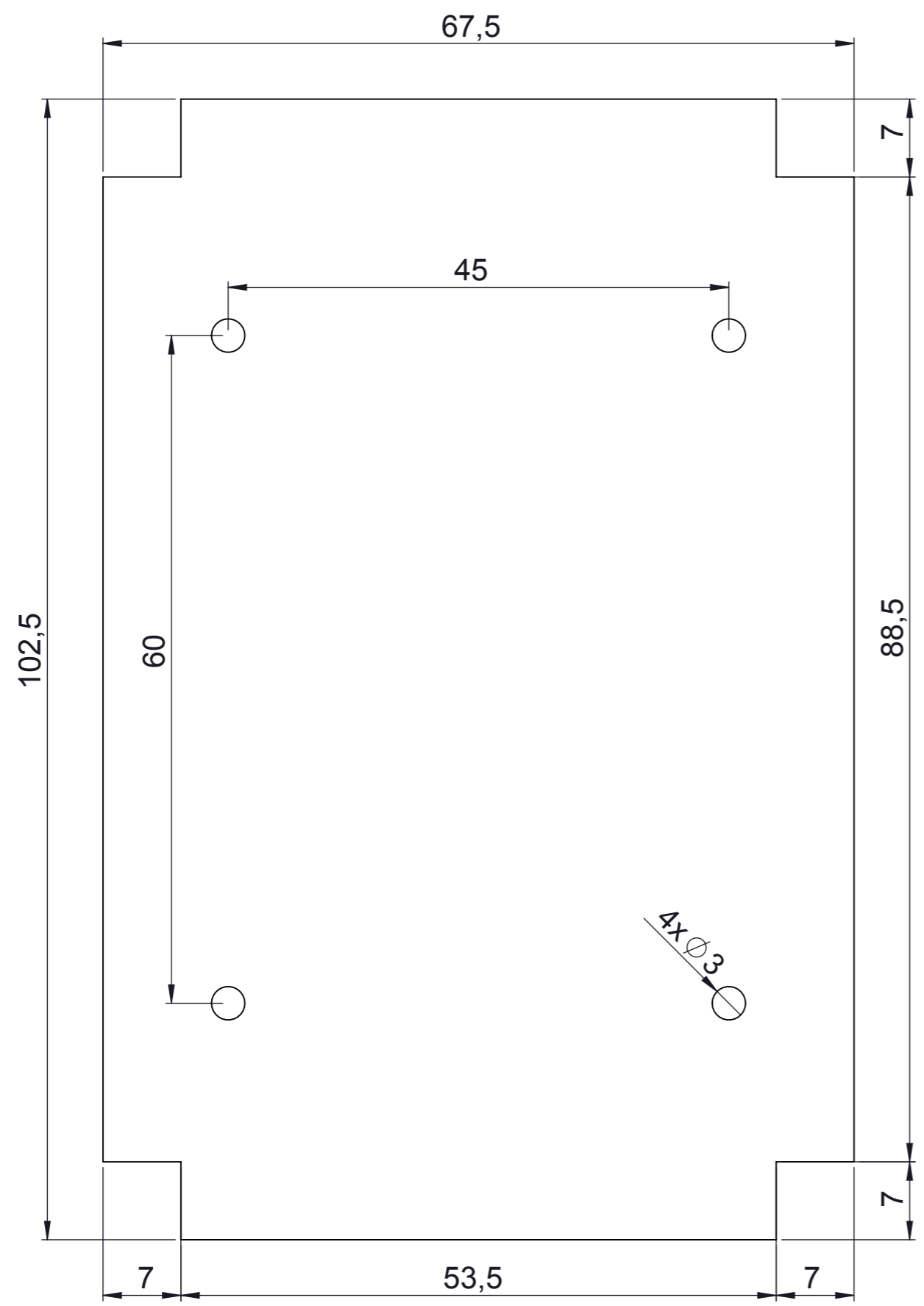
SECTION B-B




SECTION A-A



<small>PROPRIETARY AND CONFIDENTIAL THE INFORMATION CONTAINED IN THIS DRAWING IS THE SOLE PROPERTY OF ALTINKAYA ENCLOSURES. ANY REPRODUCTION IN PART OR AS A WHOLE WITHOUT THE WRITTEN PERMISSION OF ALTINKAYA ENCLOSURES IS PROHIBITED.</small>		ARTICLE NO:	REVISION:						
<table border="1"> <thead> <tr> <th>NAME</th> <th>DATE</th> </tr> </thead> <tbody> <tr> <td>Dursun Daşdemir</td> <td>22.07.08</td> </tr> <tr> <td>Ali Altıngök</td> <td>22.07.08</td> </tr> </tbody> </table>		NAME	DATE	Dursun Daşdemir	22.07.08	Ali Altıngök	22.07.08	 ENCLOSURES FOR ELECTRONICS	CONTACT: www.altinkaya.com.tr
NAME	DATE								
Dursun Daşdemir	22.07.08								
Ali Altıngök	22.07.08								
DRAWN: Dursun Daşdemir 22.07.08 CHECKED: Ali Altıngök 22.07.08 COMMENTS:		TITLE: <h1 style="text-align: center;">HH-062 Body</h1>							
MATERIAL:		DWG NO: HH-062-P-1-11146 A3							
WEIGHT:		SCALE: 1:1	SHEET 1 OF 1						



<small>PROPRIETARY AND CONFIDENTIAL THE INFORMATION CONTAINED IN THIS DRAWING IS THE SOLE PROPERTY OF ALTINKAYA ENCLOSURES. ANY REPRODUCTION IN PART OR AS A WHOLE WITHOUT THE WRITTEN PERMISSION OF ALTINKAYA ENCLOSURES IS PROHIBITED.</small>		ARTICLE NO:	REVISION:
<small>DRAWN</small> Dursun Dagdemir 22.07.08 <small>CHECKED</small> Ali Altıngök 22.07.08 <small>COMMENTS:</small>		 <small>ENCLOSURES FOR ELECTRONICS</small>	<small>CONTACT:</small> www.altinkaya.com.tr
<small>MATERIAL:</small>		<h1>Not Included</h1>	
<small>WEIGHT:</small>		<small>DWG NO:</small> HH-062 PCB sample	<small>SCALE:</small> 2:1 <small>SHEET</small> 1 OF 1

