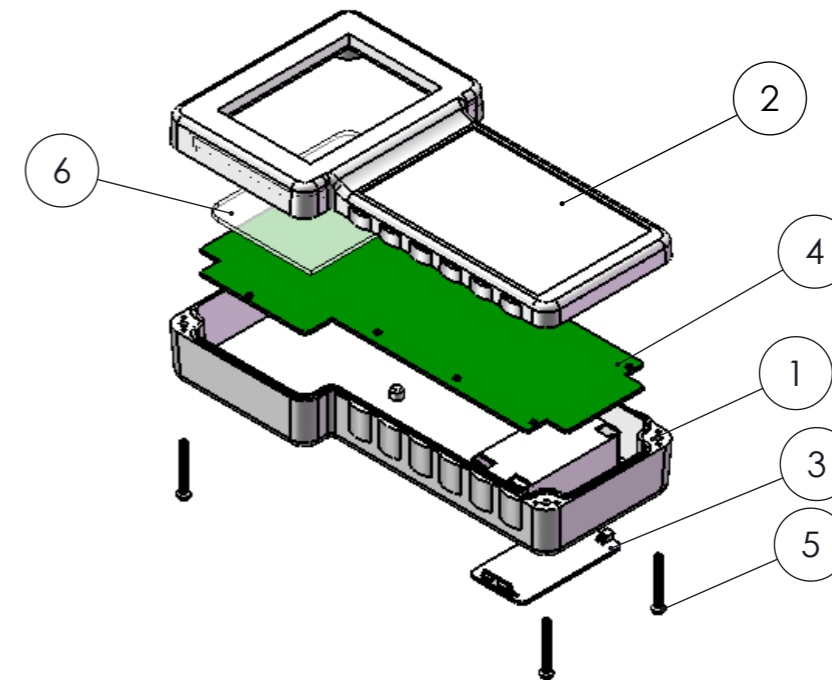


HH-095



HH-095-A

ITEM NO.	PART NUMBER	DESCRIPTION	QTY.
1	HH-095-P-2-11174	HH-095 Body with Battery Compartment	1
2	HH-095-P-3-11175	HH-095 Upper Body	1
3	A-99-0-0-G-0-11182	Plastic Battery Cover	1
4	HH-095 PCB sample	Not Included	1
5	A-647-0-0-M-0-11181	M3X25 YSB Metalik Vida	4
6	Cam	HH-095 Cam	1

PROPRIETARY AND CONFIDENTIAL  
THE INFORMATION CONTAINED IN THIS DRAWING IS THE SOLE PROPERTY OF ALTINKAYA ENCLOSURES. ANY REPRODUCTION IN PART OR AS A WHOLE WITHOUT THE WRITTEN PERMISSION OF ALTINKAYA ENCLOSURES IS PROHIBITED.

ARTICLE NO.: \_\_\_\_\_ REVISION: \_\_\_\_\_

**ALTINKAYA**  
ENCLOSURES FOR ELECTRONICS

CONTACT: [www.altinkaya.com.tr](http://www.altinkaya.com.tr)

DRAWN: \_\_\_\_\_ DATE: \_\_\_\_\_

CHECKED: \_\_\_\_\_

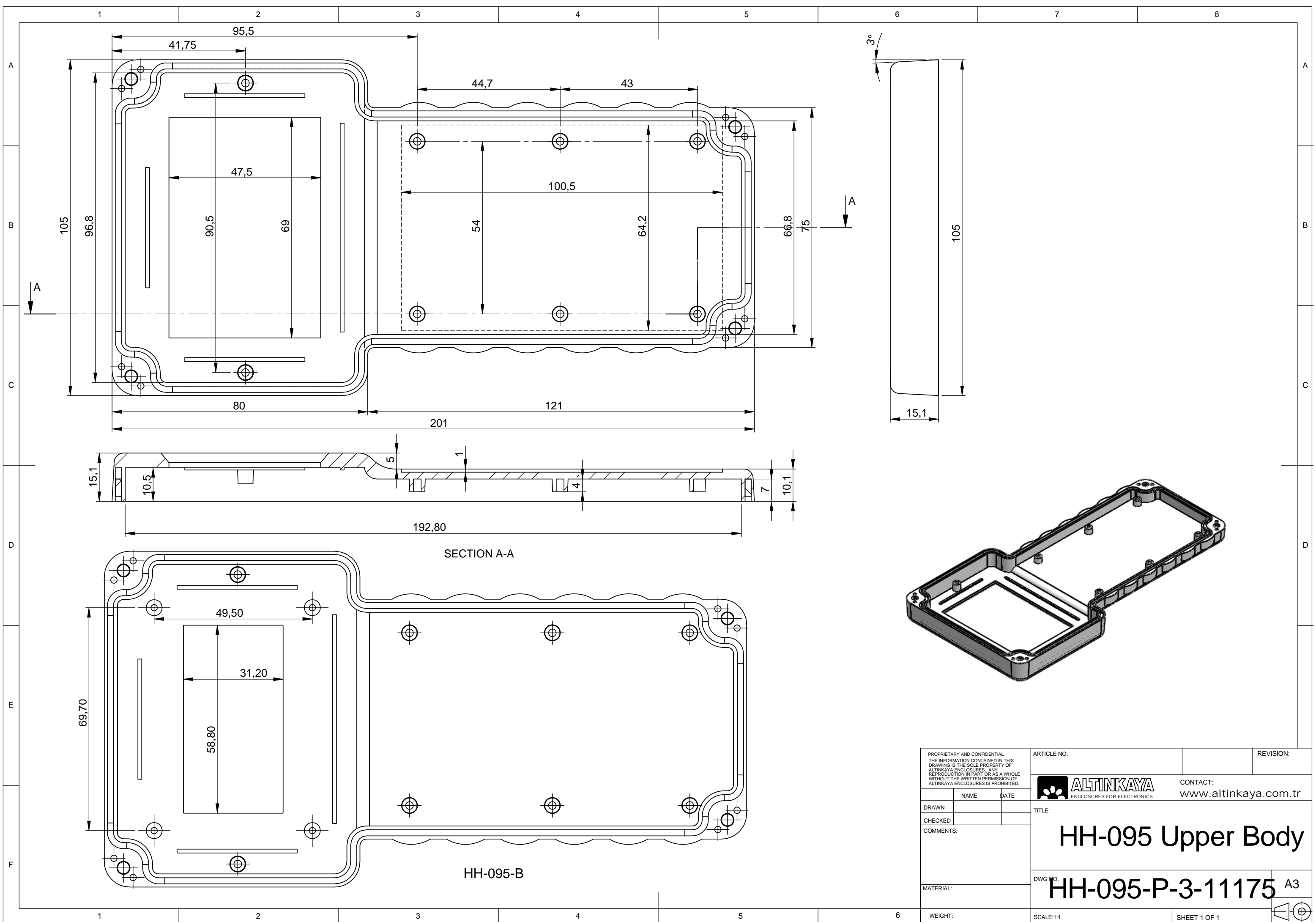
COMMENTS: \_\_\_\_\_

TITLE: **HH-095 Hand Terminal Enclosure**

MATERIAL: **ABS**

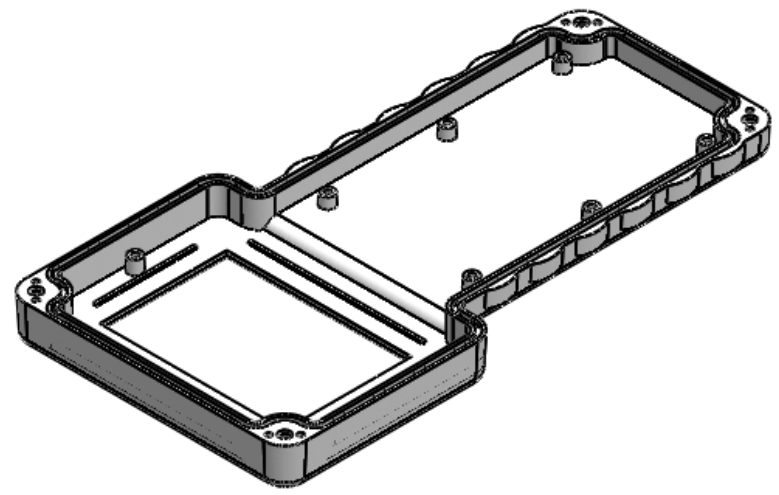
DWG NO. **HH-095-A-0-11172** A3


WEIGHT: \_\_\_\_\_ SCALE: 1:2 SHEET 1 OF 1

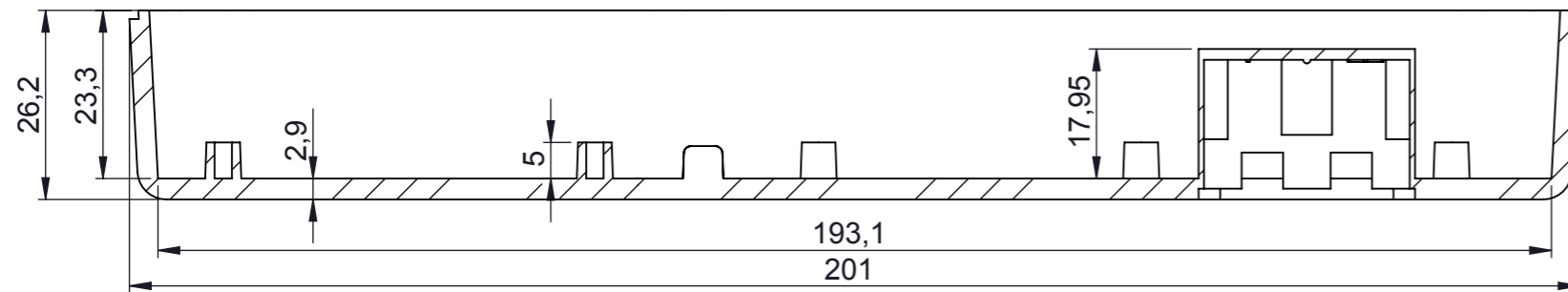
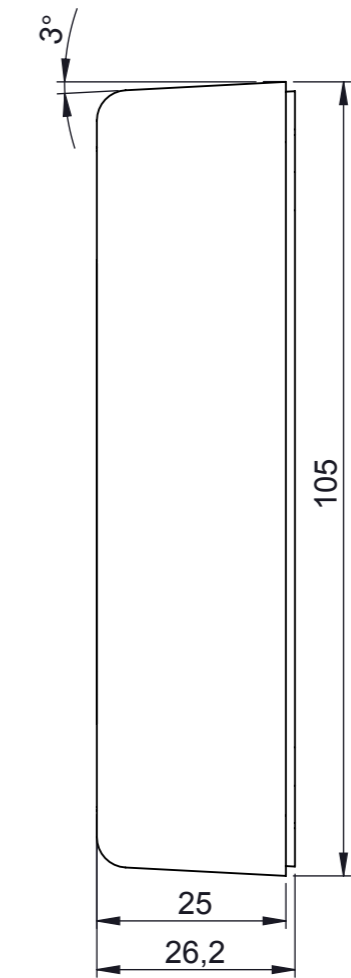
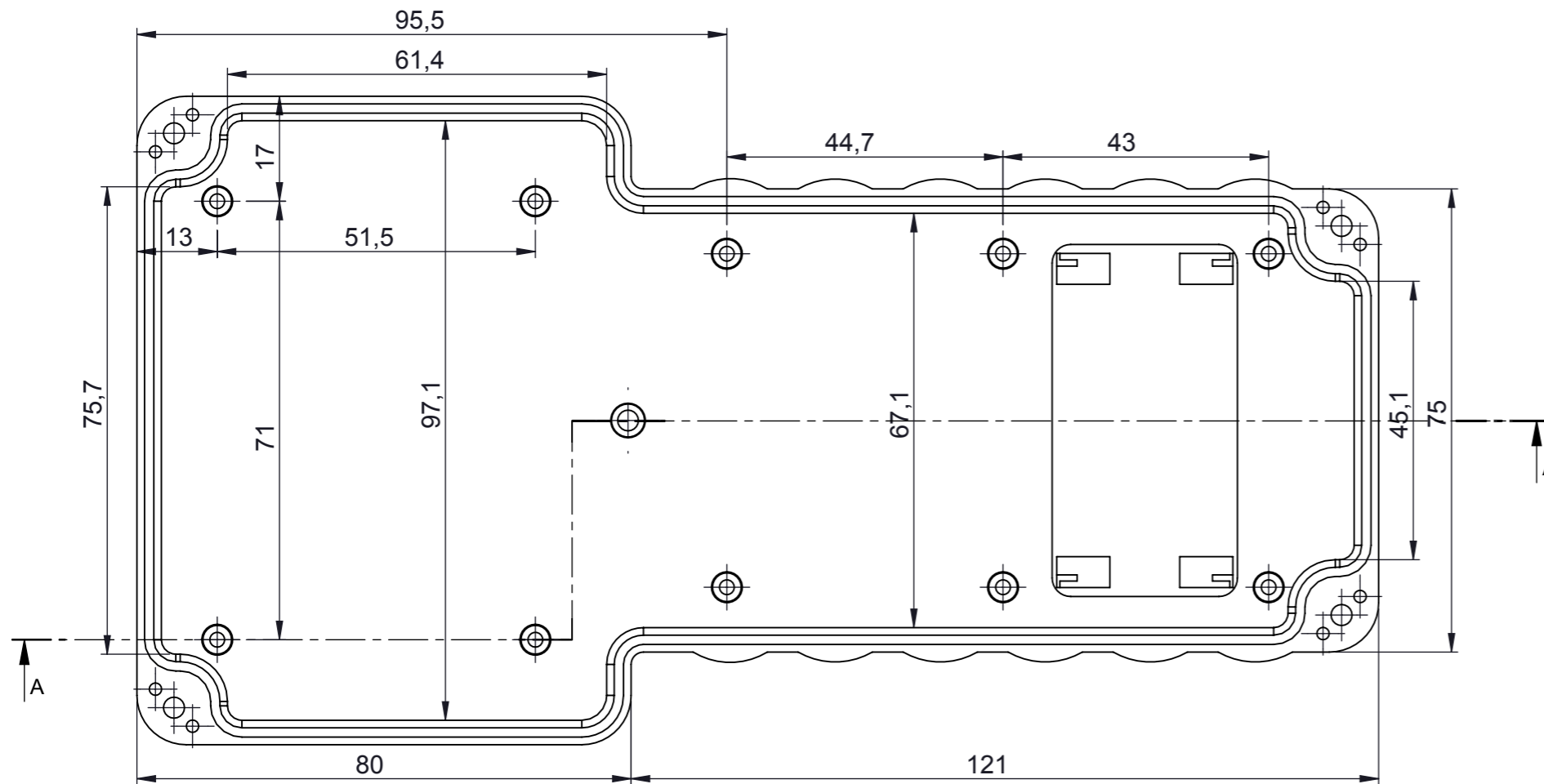


SECTION A-A

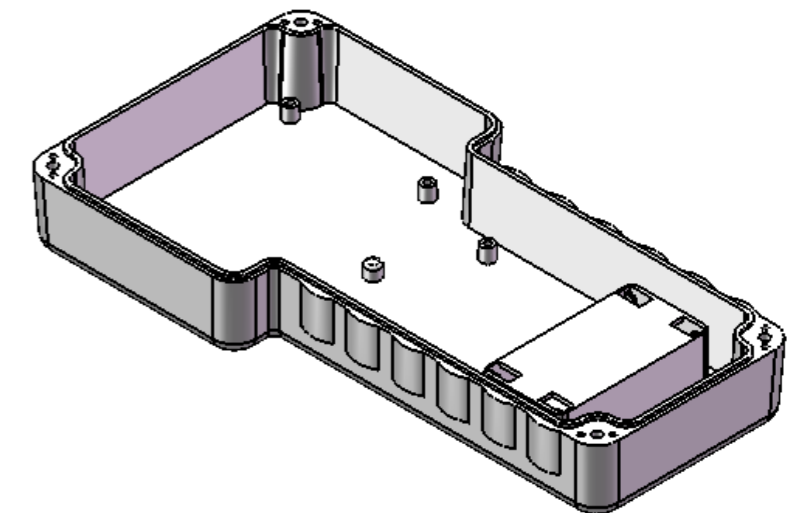
HH-095-B



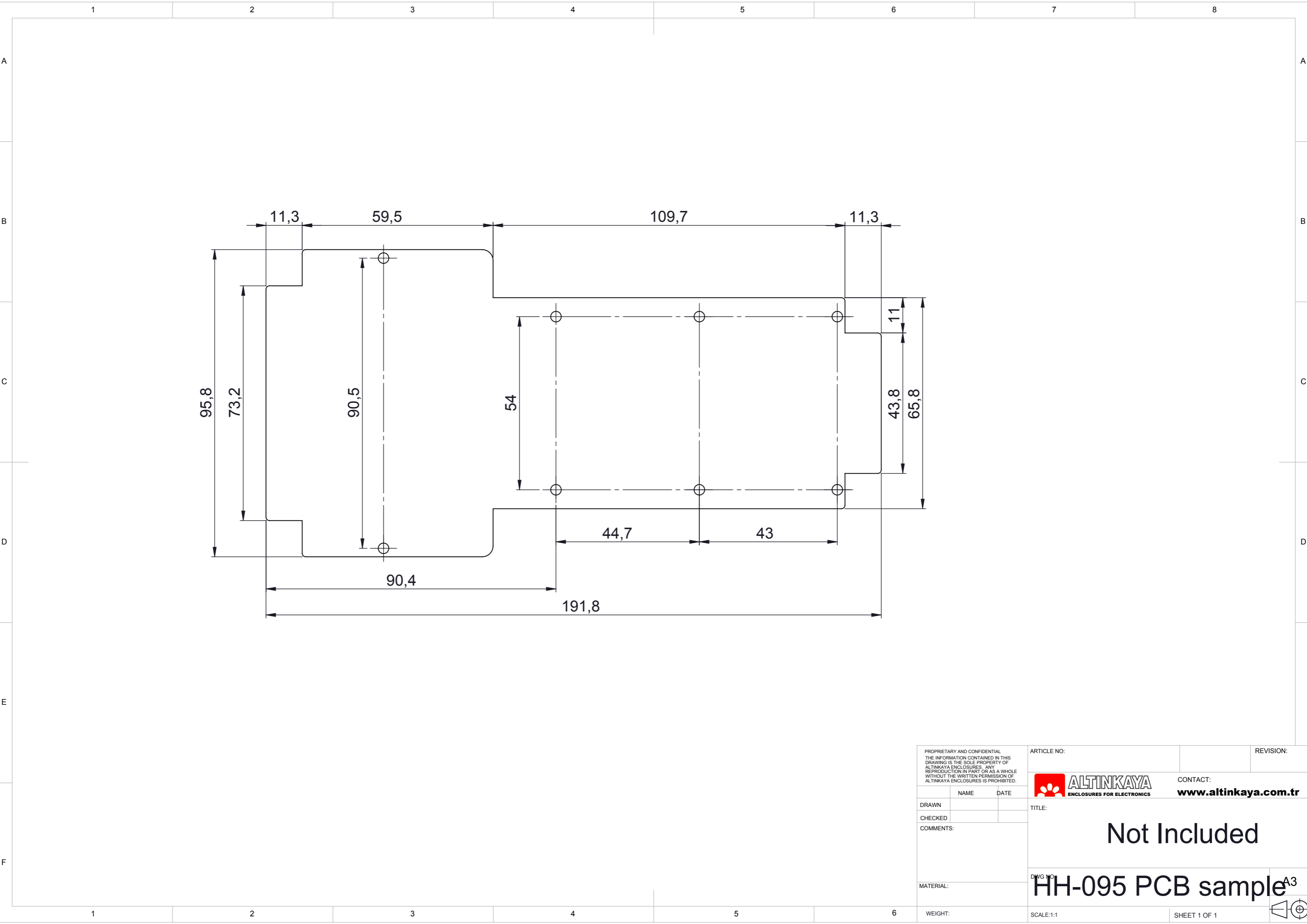
<small>PROPRIETARY AND CONFIDENTIAL THE INFORMATION CONTAINED IN THIS DRAWING IS THE SOLE PROPERTY OF ALTINKAYA ENCLOSURES. ANY REPRODUCTION IN PART OR AS A WHOLE WITHOUT THE WRITTEN PERMISSION OF ALTINKAYA ENCLOSURES IS PROHIBITED.</small>		ARTICLE NO:	REVISION:
<small>DRAWN</small> <small>CHECKED</small> <small>COMMENTS:</small>		 <small>ENCLOSURES FOR ELECTRONICS</small>	<small>CONTACT:</small> <a href="http://www.altinkaya.com.tr">www.altinkaya.com.tr</a>
<small>MATERIAL:</small>		<small>TITLE:</small> <h1>HH-095 Upper Body</h1>	
<small>WEIGHT:</small>		<small>DWG NO.</small> <h1>HH-095-P-3-11175</h1>	<small>A3</small>
		<small>SCALE:1:1</small>	<small>SHEET 1 OF 1</small>





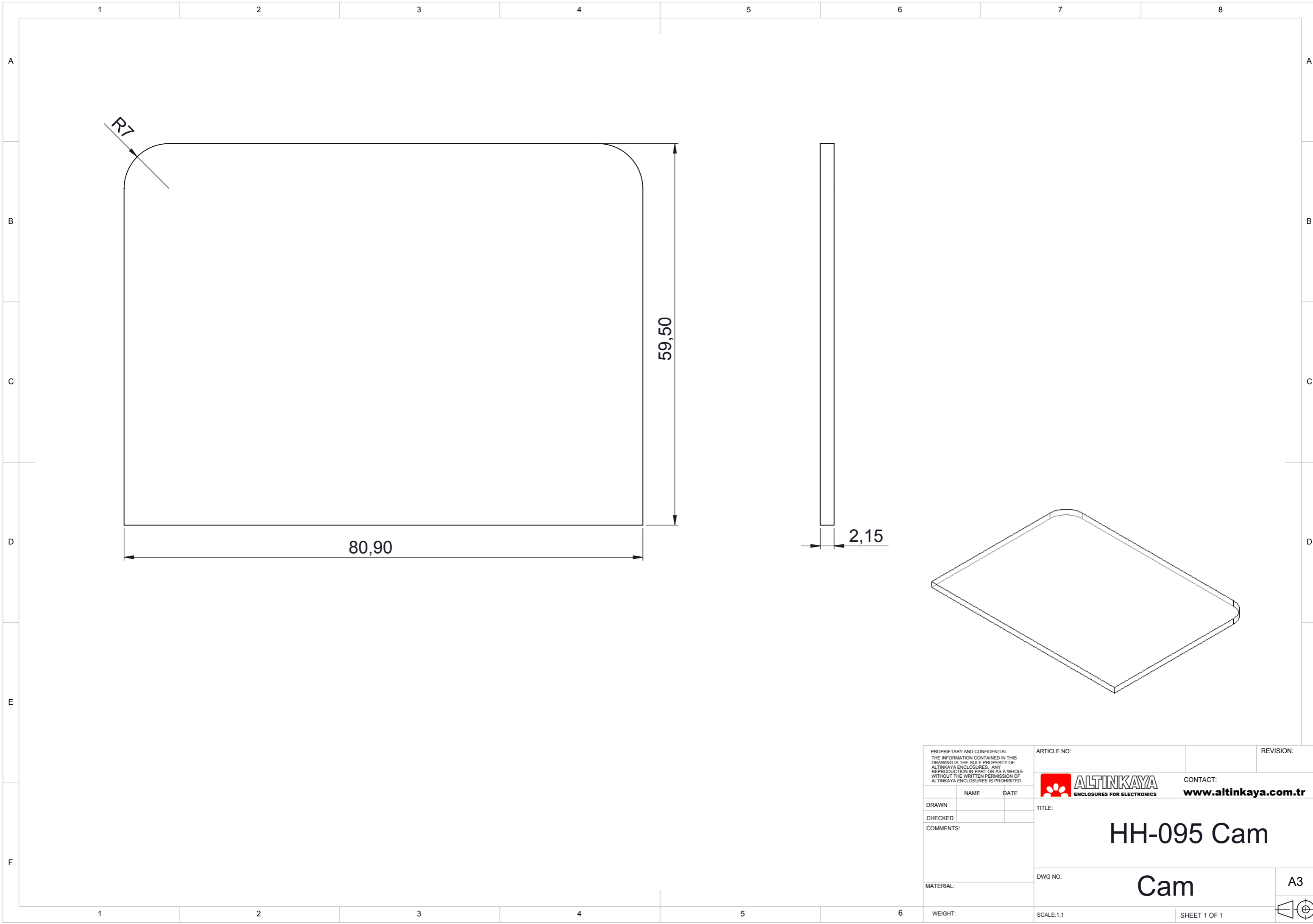
SECTION A-A  
SCALE 1 : 1




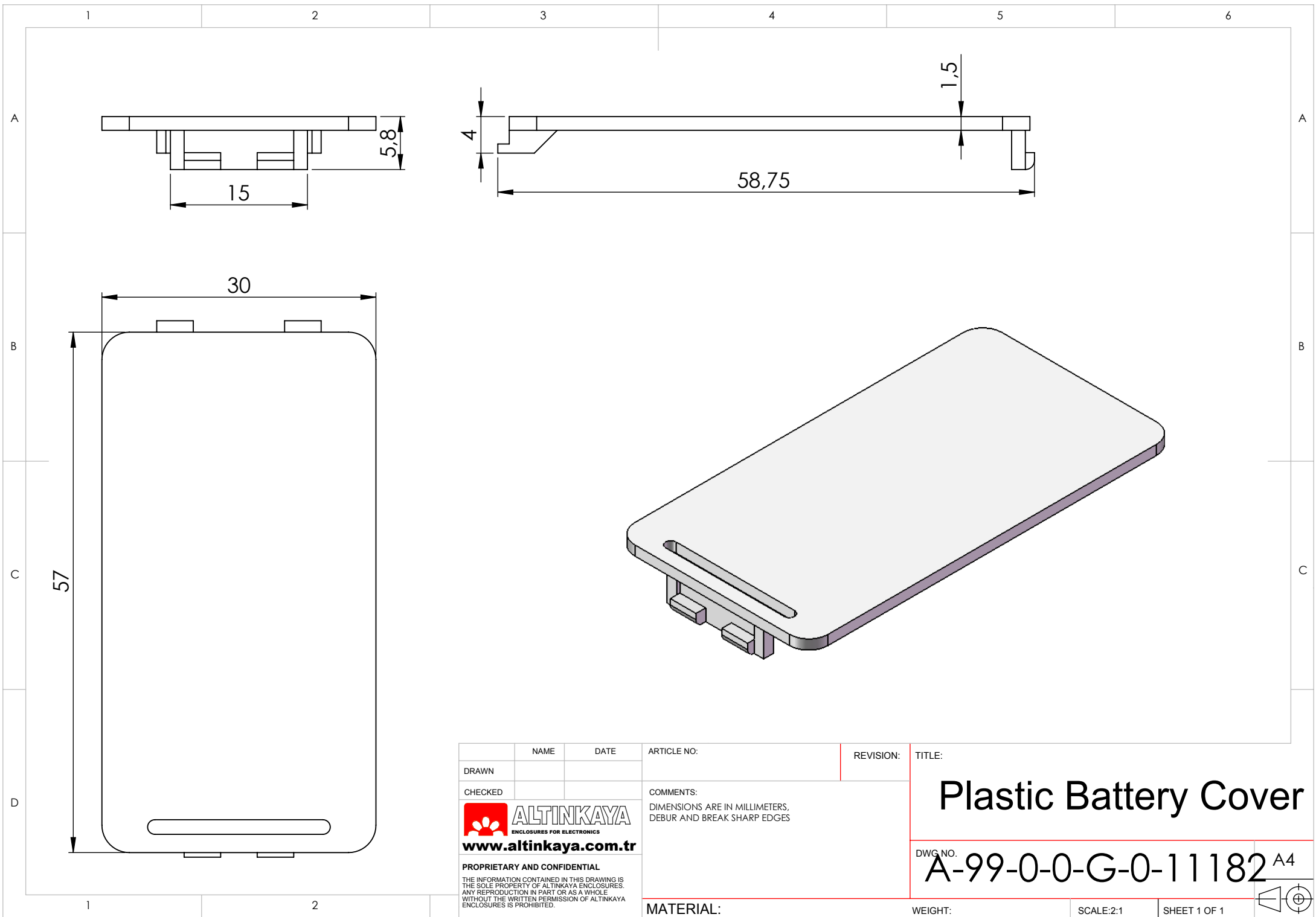
<small>PROPRIETARY AND CONFIDENTIAL THE INFORMATION CONTAINED IN THIS DRAWING IS THE SOLE PROPERTY OF ALTINKAYA ENCLOSURES. ANY REPRODUCTION IN PART OR AS A WHOLE WITHOUT THE WRITTEN PERMISSION OF ALTINKAYA ENCLOSURES IS PROHIBITED.</small>		ARTICLE NO:	REVISION:
<small>DRAWN</small> <small>CHECKED</small> <small>COMMENTS:</small>		 <b>ALTINKAYA</b> <small>ENCLOSURES FOR ELECTRONICS</small>	<small>CONTACT:</small> <a href="http://www.altinkaya.com.tr">www.altinkaya.com.tr</a>
<small>MATERIAL:</small>		<small>TITLE:</small> <b>HH-095 Body with Battery Compartment</b>	
<small>WEIGHT:</small>		<small>DWG NO.</small> <b>HH-095-P-2-11174</b>	<small>A3</small>
<small>SCALE:1:1</small>		<small>SHEET 1 OF 1</small>	





<small>PROPRIETARY AND CONFIDENTIAL THE INFORMATION CONTAINED IN THIS DRAWING IS THE SOLE PROPERTY OF ALTINKAYA ENCLOSURES. ANY REPRODUCTION IN PART OR AS A WHOLE WITHOUT THE WRITTEN PERMISSION OF ALTINKAYA ENCLOSURES IS PROHIBITED.</small>		ARTICLE NO:	REVISION:
<small>DRAWN</small> <small>CHECKED</small> <small>COMMENTS:</small>		 <small>ENCLOSURES FOR ELECTRONICS</small>	<small>CONTACT:</small> <a href="http://www.altinkaya.com.tr">www.altinkaya.com.tr</a>
<small>TITLE:</small> <h1 style="text-align: center;">Not Included</h1>		<small>DWG NO:</small> <h2 style="text-align: center;">HH-095 PCB sample<sup>A3</sup></h2>	
<small>MATERIAL:</small>		<small>SCALE:</small> 1:1	<small>SHEET</small> 1 OF 1
<small>WEIGHT:</small>			



<small>PROPRIETARY AND CONFIDENTIAL THE INFORMATION CONTAINED IN THIS DRAWING IS THE SOLE PROPERTY OF ALTINKAYA ENCLOSURES. ANY REPRODUCTION IN PART OR AS A WHOLE WITHOUT THE WRITTEN PERMISSION OF ALTINKAYA ENCLOSURES IS PROHIBITED.</small>		ARTICLE NO:	REVISION:				
<table border="1"> <thead> <tr> <th>NAME</th> <th>DATE</th> </tr> </thead> <tbody> <tr> <td> </td> <td> </td> </tr> </tbody> </table>		NAME	DATE				CONTACT: <b>www.altinkaya.com.tr</b>
NAME	DATE						
DRAWN: CHECKED: COMMENTS:		TITLE:  <h1>HH-095 Cam</h1>					
MATERIAL:		DWG NO:	A3				
WEIGHT:		SCALE:1:1	SHEET 1 OF 1				



NAME	DATE	ARTICLE NO:	REVISION:	TITLE:
DRAWN				<b>Plastic Battery Cover</b>
CHECKED				
 <b>www.altinkaya.com.tr</b>		COMMENTS: DIMENSIONS ARE IN MILLIMETERS. DEBUR AND BREAK SHARP EDGES		DWG NO: <b>A-99-0-0-G-0-11182</b> A4
PROPRIETARY AND CONFIDENTIAL <small>THE INFORMATION CONTAINED IN THIS DRAWING IS THE SOLE PROPERTY OF ALTINKAYA ENCLOSURES. ANY REPRODUCTION IN PART OR AS A WHOLE WITHOUT THE WRITTEN PERMISSION OF ALTINKAYA ENCLOSURES IS PROHIBITED.</small>		<b>MATERIAL:</b>		WEIGHT:

SCALE:2:1	SHEET 1 OF 1	
-----------	--------------	---