
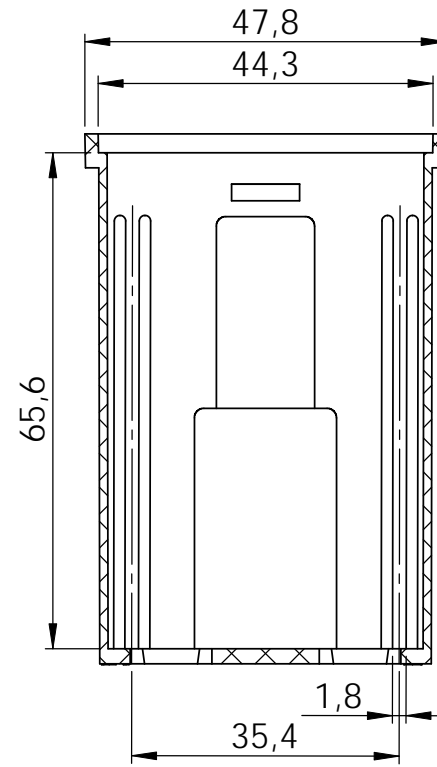
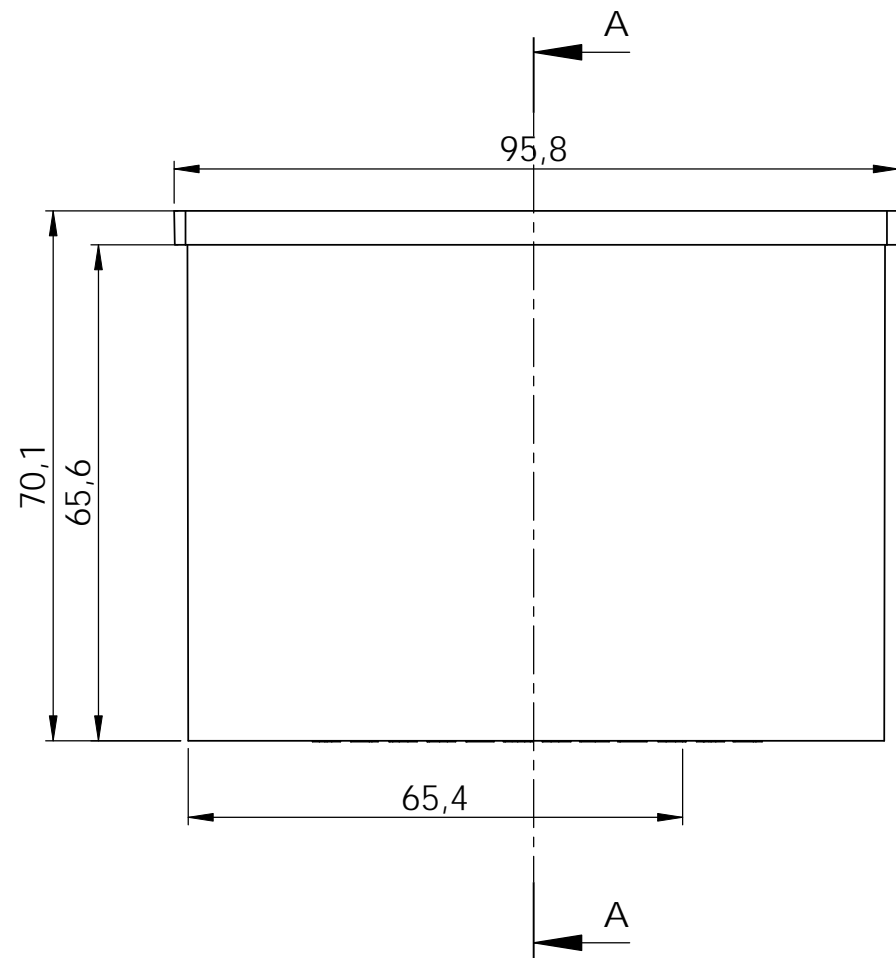
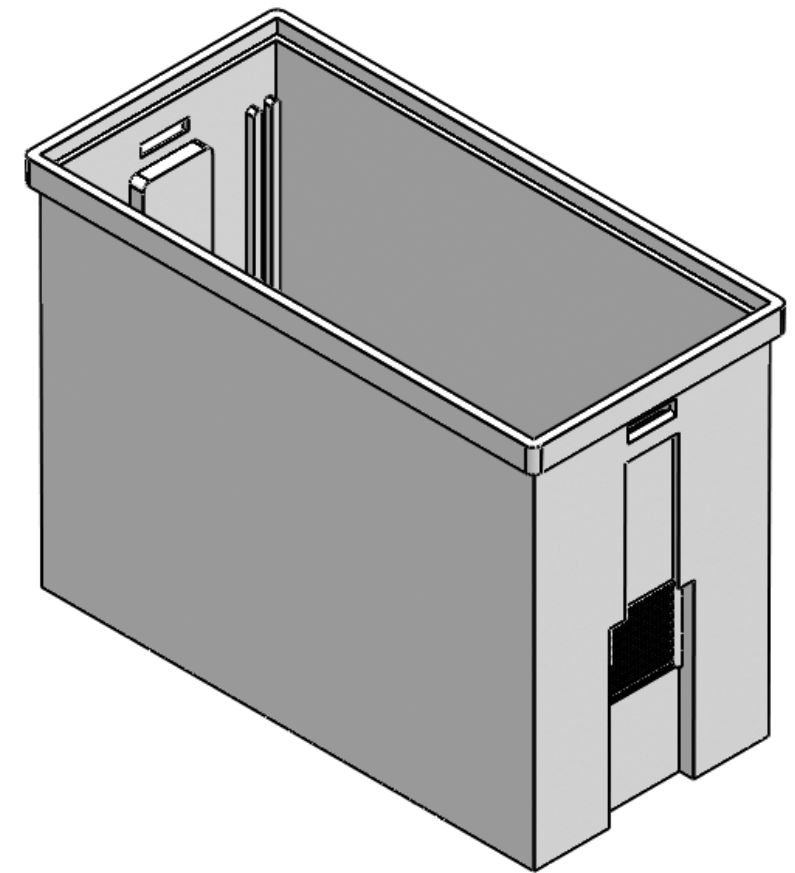
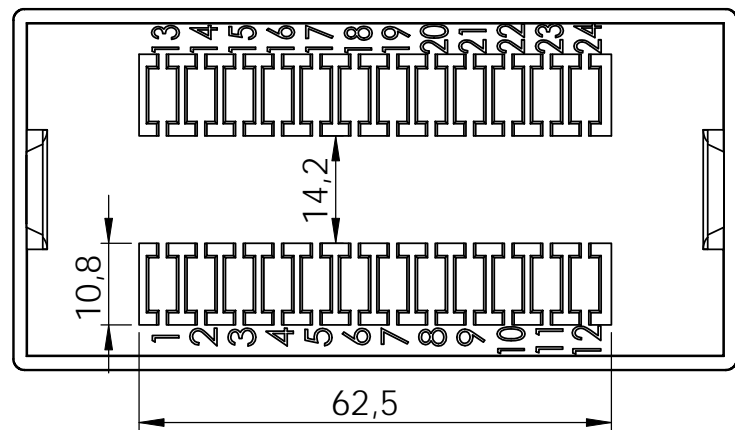
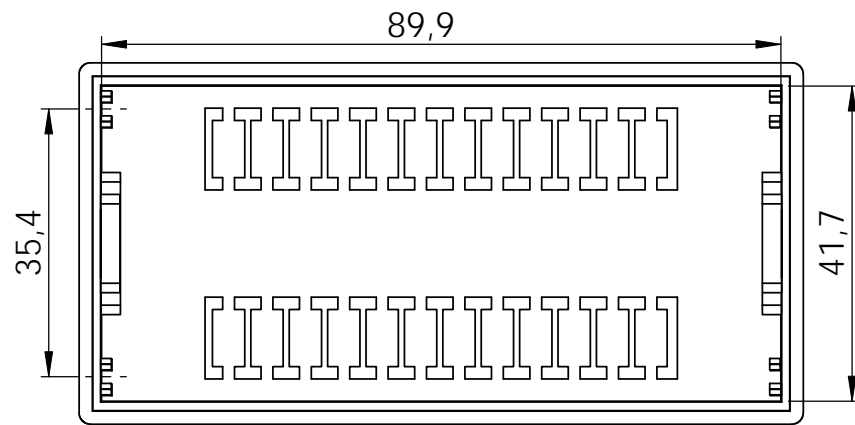



<small>PROPRIETARY AND CONFIDENTIAL. THE INFORMATION CONTAINED IN THIS DRAWING IS THE SOLE PROPERTY OF ALTINKAYA ENCLOSURES. ANY REPRODUCTION IN PART OR AS A WHOLE WITHOUT THE WRITTEN PERMISSION OF ALTINKAYA ENCLOSURES IS PROHIBITED.</small>			ARTICLE NO.:	REVISION:						
<table border="1"> <tr> <th>NAME</th> <th>DATE</th> </tr> <tr> <td>Dursun Daşdemir</td> <td></td> </tr> <tr> <td>Ali Altınışık</td> <td></td> </tr> </table>			NAME	DATE	Dursun Daşdemir		Ali Altınışık		 ENCLOSURES FOR ELECTRONICS	CONTACT: www.altinkaya.com.tr
NAME	DATE									
Dursun Daşdemir										
Ali Altınışık										
COMMENTS:			TITLE:							
MATERIAL:			DWG NO. PT-165-0-0-G-0	A3						
WEIGHT:			SCALE:1:1	SHEET 1 OF 3						



KESIT A-A



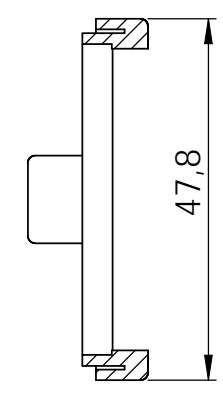
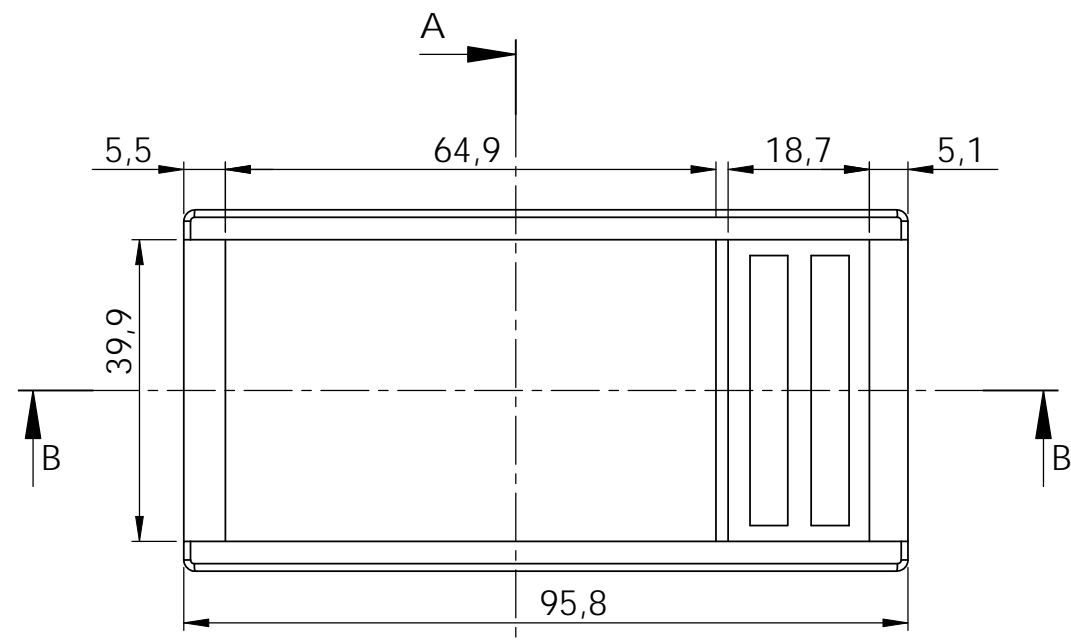
<small>PROPRIETARY AND CONFIDENTIAL. THE INFORMATION CONTAINED IN THIS DRAWING IS THE SOLE PROPERTY OF ALTINKAYA ENCLOSURES. ANY REPRODUCTION IN PART OR AS A WHOLE WITHOUT THE WRITTEN PERMISSION OF ALTINKAYA ENCLOSURES IS PROHIBITED.</small>		ARTICLE NO.:	REVISION:
<small>DRAWN</small> Dursun Daşdemir		 ENCLOSURES FOR ELECTRONICS	<small>CONTACT:</small> www.altinkaya.com.tr
<small>CHECKED</small> Ali Altınışık		TITLE:	
<small>COMMENTS:</small>		<small>DWG NO.</small> PT-165_Govde	
<small>MATERIAL:</small>		<small>SCALE:</small> 1:1	
<small>WEIGHT:</small>		<small>SHEET 1 OF 1</small>	

A3

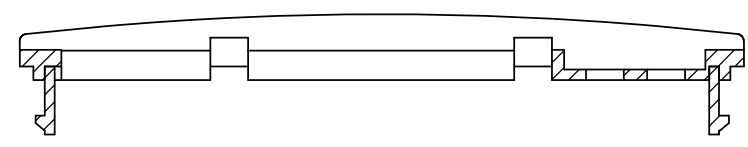


1 2 3 4 5 6 7 8

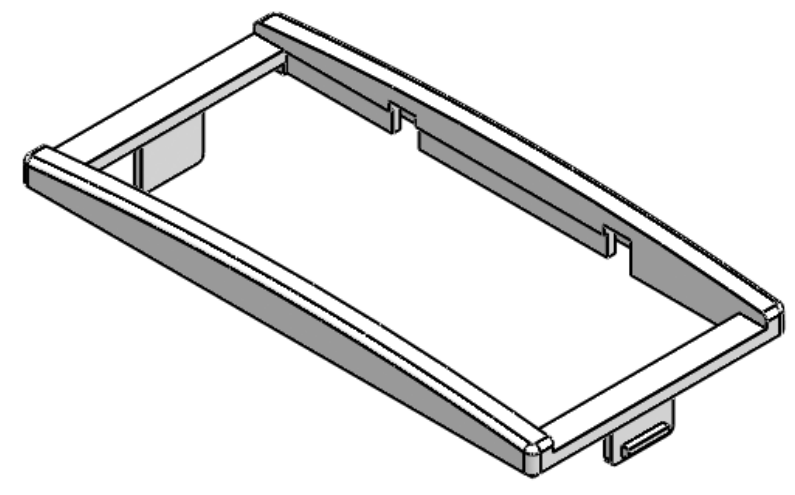
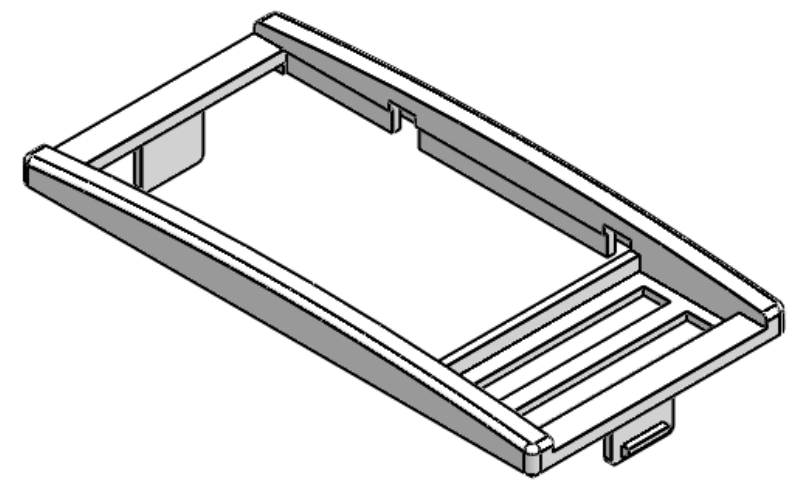
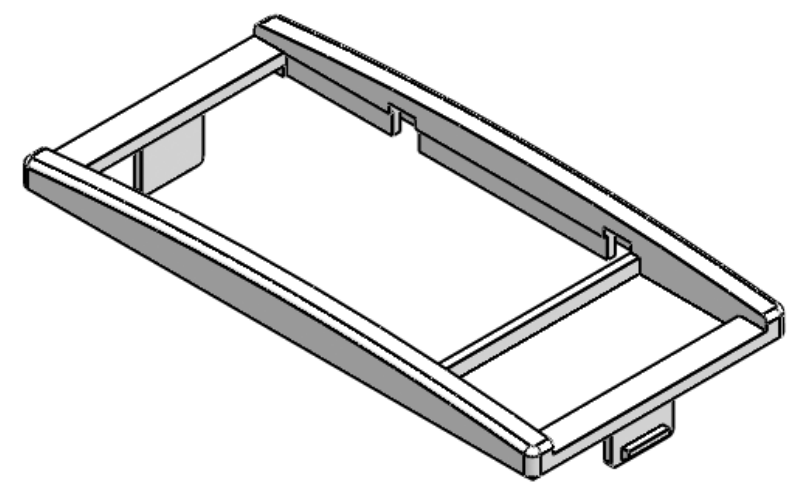
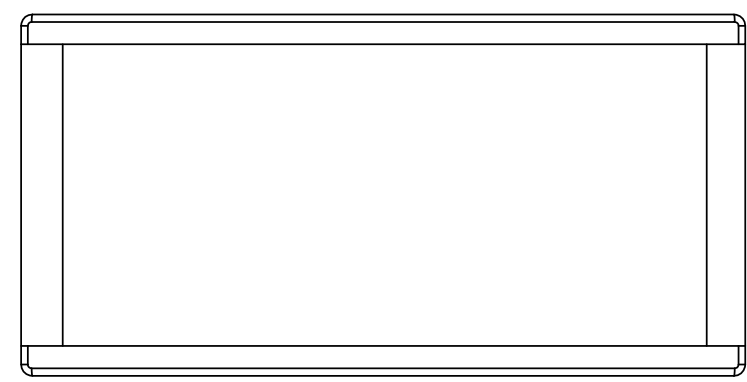
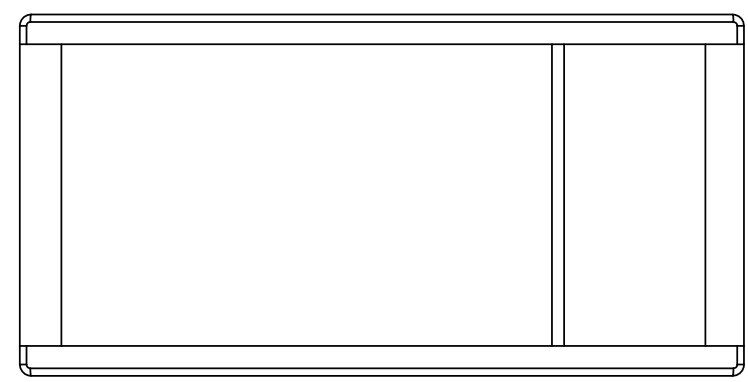
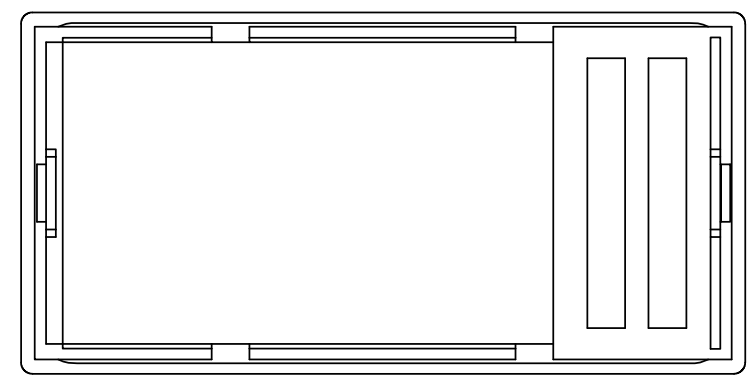
A
B
C
D
E
F




KESIT A-A



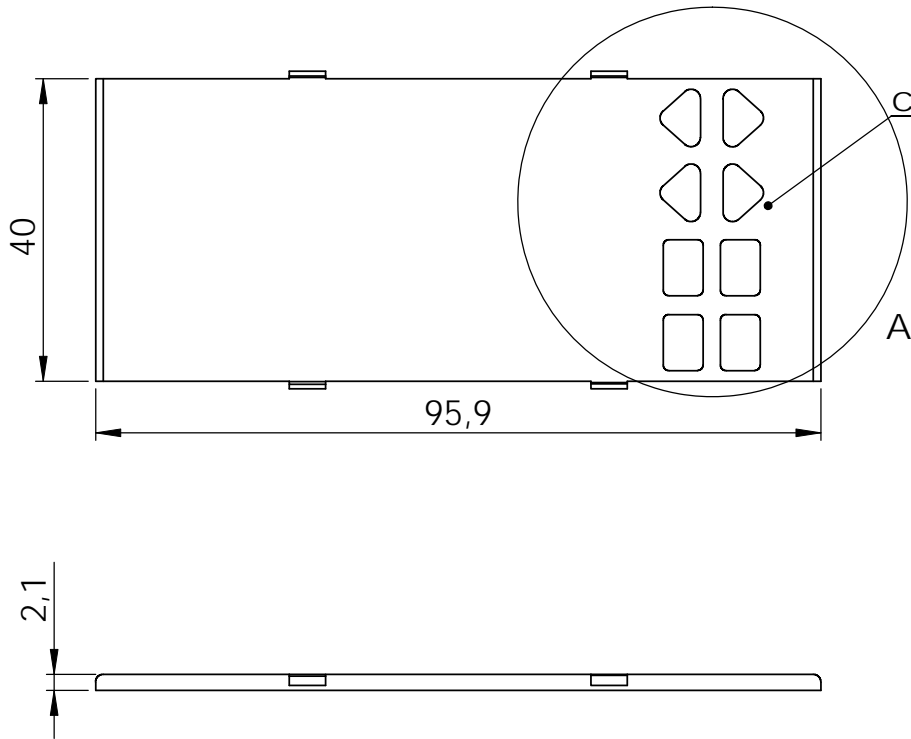
KESIT B-B



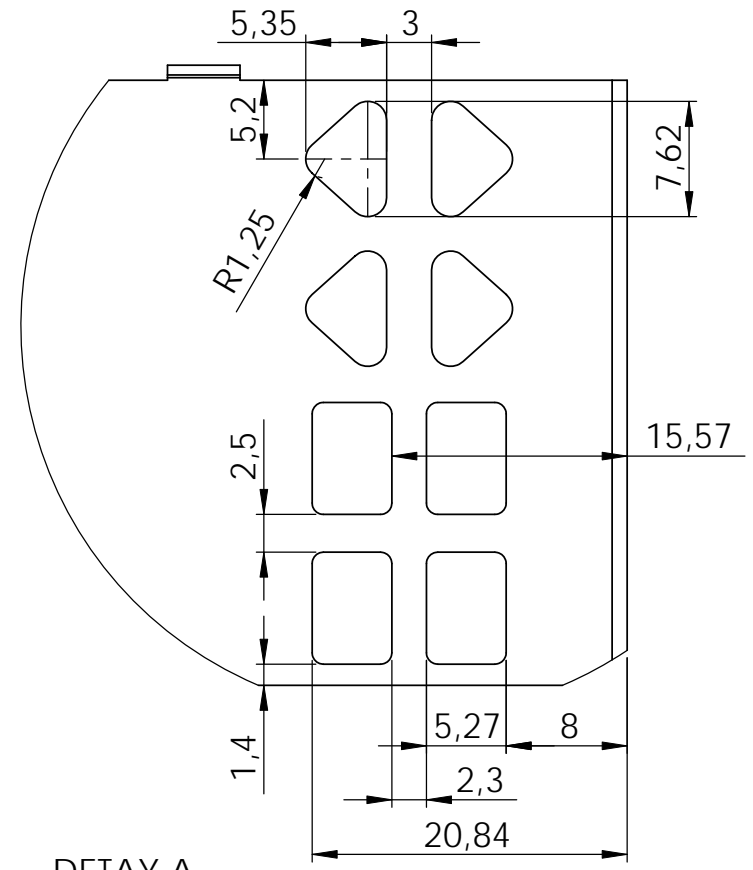
<small>PROPRIETARY AND CONFIDENTIAL. THE INFORMATION CONTAINED IN THIS DRAWING IS THE SOLE PROPERTY OF ALTINKAYA ENCLOSURES. ANY REPRODUCTION IN PART OR AS A WHOLE WITHOUT THE WRITTEN PERMISSION OF ALTINKAYA ENCLOSURES IS PROHIBITED.</small>		ARTICLE NO:	REVISION:
<small>DRAWN</small> Dursun Daşdemir		 ENCLOSURES FOR ELECTRONICS	<small>CONTACT:</small> www.altinkaya.com.tr
<small>CHECKED</small> Ali Altınışık		TITLE:	
<small>COMMENTS:</small>		<small>DWG NO.</small> PT-165_cerceve3	
<small>MATERIAL:</small>		<small>A3</small>	
<small>WEIGHT:</small>		<small>SCALE:</small> 1:1	<small>SHEET</small> 1 OF 1

1 2 3 4 5 6


A
B
C
D
E
F

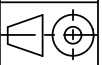


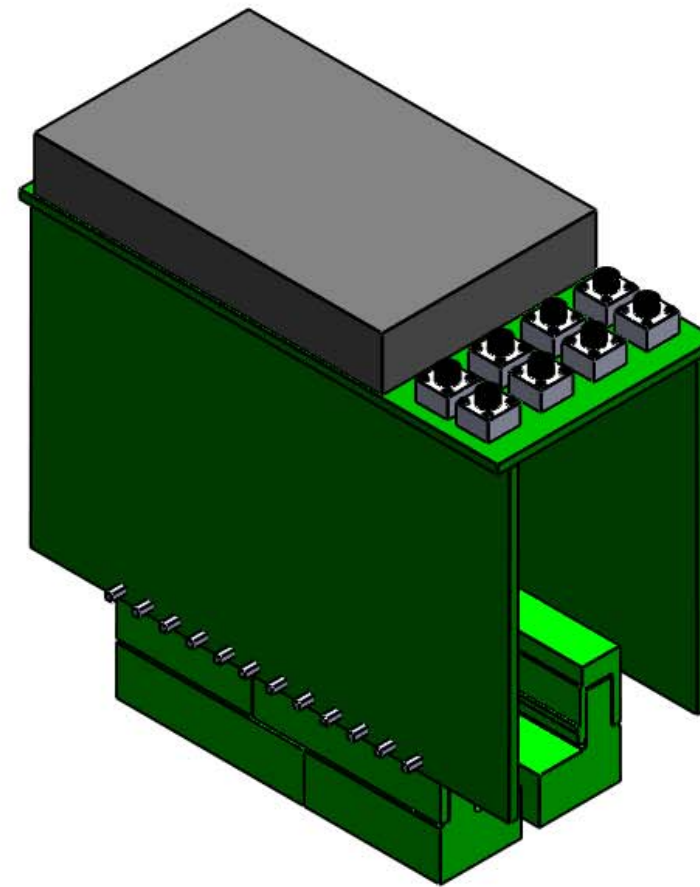
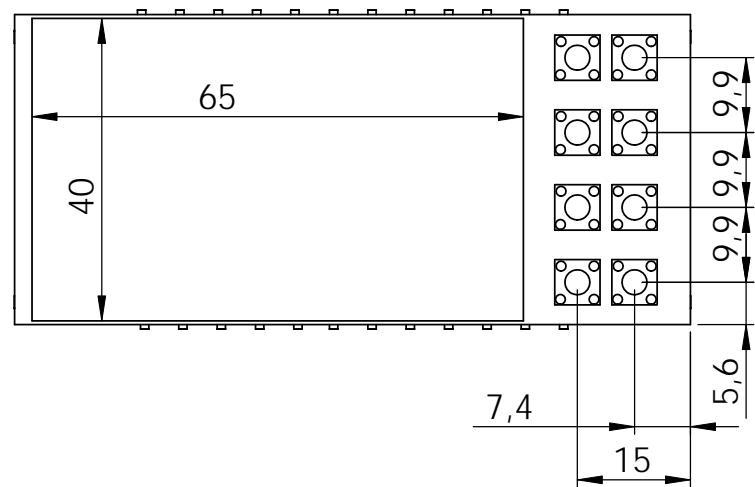
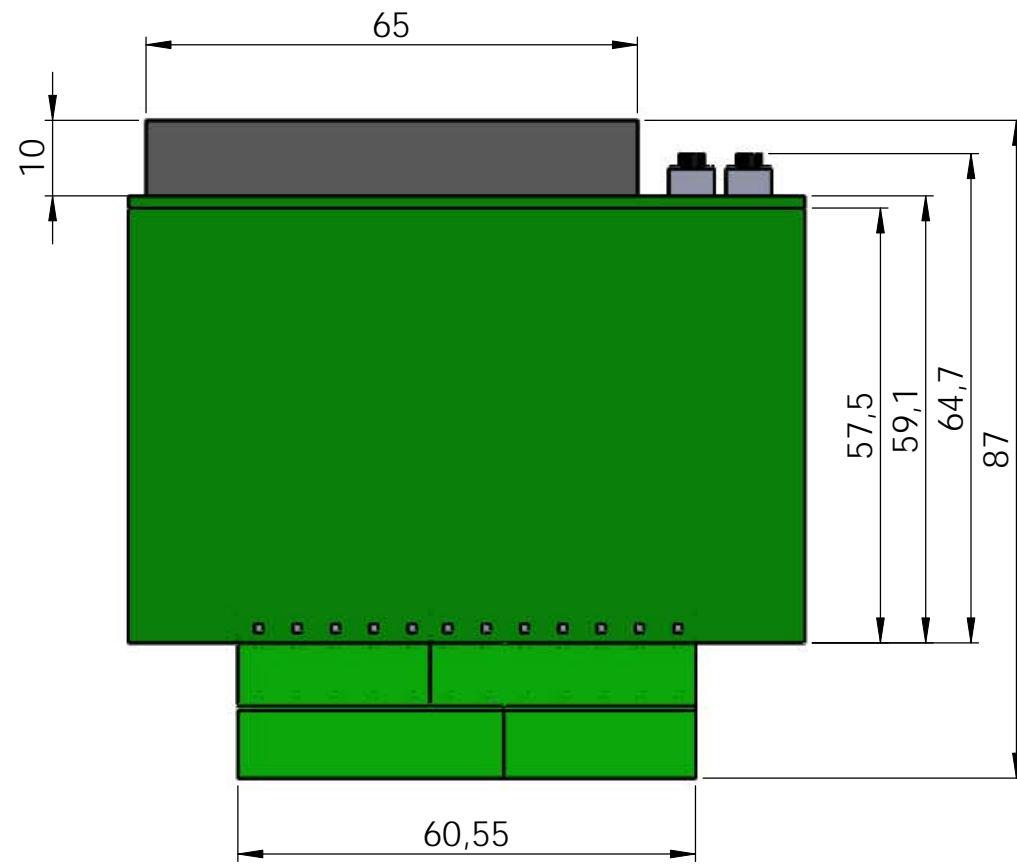
custom button holes based on your design




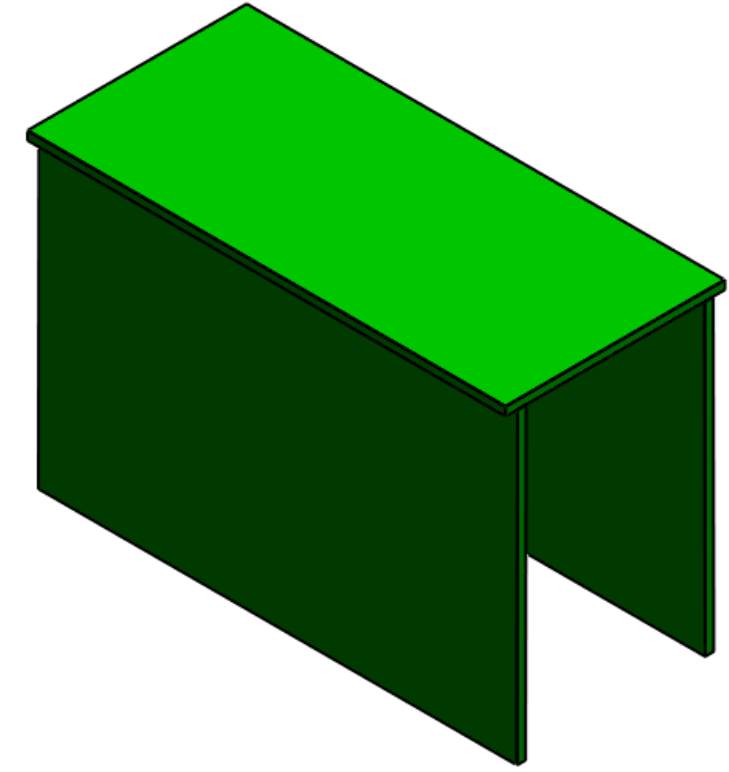
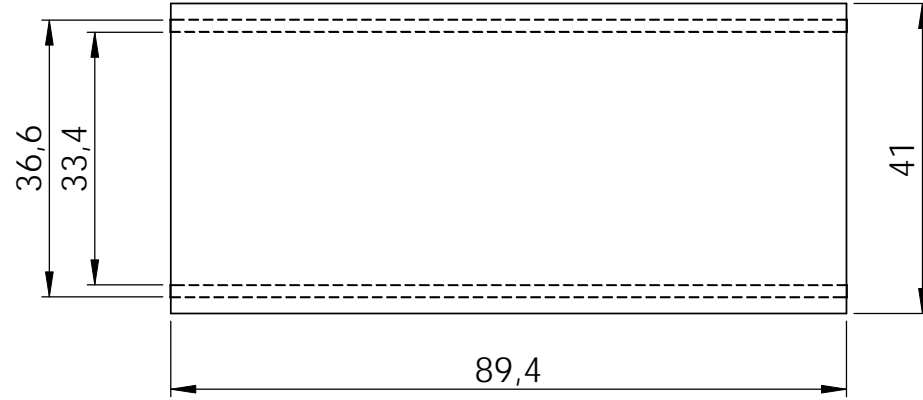
DETAY A
ÖLÇEK 2 : 1


	NAME	DATE	ARTICLE NO:	REVISION:	TITLE:
DRAWN	Dursun Daşdemir				
CHECKED	Ali Altınışık		COMMENTS: DIMENSIONS ARE IN MILLIMETERS, DEBUR AND BREAK SHARP EDGES		
 <p>ENCLOSURES FOR ELECTRONICS www.altinkaya.com.tr</p>			DWG NO.		PT-165_cam
<p>PROPRIETARY AND CONFIDENTIAL</p> <p>THE INFORMATION CONTAINED IN THIS DRAWING IS THE SOLE PROPERTY OF ALTINKAYA ENCLOSURES. ANY REPRODUCTION IN PART OR AS A WHOLE WITHOUT THE WRITTEN PERMISSION OF ALTINKAYA ENCLOSURES IS PROHIBITED.</p>			MATERIAL:		A4
			WEIGHT:		SCALE:1:1
					SHEET 1 OF 1





<small>PROPRIETARY AND CONFIDENTIAL THE INFORMATION CONTAINED IN THIS DRAWING IS THE SOLE PROPERTY OF ALTINKAYA ENCLOSURES. ANY REPRODUCTION IN PART OR AS A WHOLE WITHOUT THE WRITTEN PERMISSION OF ALTINKAYA ENCLOSURES IS PROHIBITED.</small>		ARTICLE NO.:	REVISION:														
<table border="1"> <tr> <th>NAME</th> <th>DATE</th> </tr> <tr> <td>Dursun Daşdemir</td> <td></td> </tr> <tr> <th>CHECKED</th> <th></th> </tr> <tr> <td>Ali Altınışık</td> <td></td> </tr> <tr> <th>COMMENTS:</th> <td></td> </tr> <tr> <th>MATERIAL:</th> <td></td> </tr> <tr> <th>WEIGHT:</th> <td></td> </tr> </table>		NAME	DATE	Dursun Daşdemir		CHECKED		Ali Altınışık		COMMENTS:		MATERIAL:		WEIGHT:		 ENCLOSURES FOR ELECTRONICS CONTACT: www.altinkaya.com.tr	TITLE:
NAME	DATE																
Dursun Daşdemir																	
CHECKED																	
Ali Altınışık																	
COMMENTS:																	
MATERIAL:																	
WEIGHT:																	
		PCB sample															
		DWG NO. PT-165-0-0-G-0	A3														
		SCALE:1:1	SHEET 2 OF 3														



<small>PROPRIETARY AND CONFIDENTIAL. THE INFORMATION CONTAINED IN THIS DRAWING IS THE SOLE PROPERTY OF ALTINKAYA ENCLOSURES. ANY REPRODUCTION IN PART OR AS A WHOLE WITHOUT THE WRITTEN PERMISSION OF ALTINKAYA ENCLOSURES IS PROHIBITED.</small>		ARTICLE NO.:	REVISION:														
<table border="1"> <tr> <th>NAME</th> <th>DATE</th> </tr> <tr> <td>Dursun Daşdemir</td> <td></td> </tr> <tr> <th>CHECKED</th> <th></th> </tr> <tr> <td>Ali Altınışık</td> <td></td> </tr> <tr> <th>COMMENTS:</th> <td></td> </tr> <tr> <th>MATERIAL:</th> <td></td> </tr> <tr> <th>WEIGHT:</th> <td></td> </tr> </table>		NAME	DATE	Dursun Daşdemir		CHECKED		Ali Altınışık		COMMENTS:		MATERIAL:		WEIGHT:		 ENCLOSURES FOR ELECTRONICS CONTACT: www.altinkaya.com.tr	TITLE:
NAME	DATE																
Dursun Daşdemir																	
CHECKED																	
Ali Altınışık																	
COMMENTS:																	
MATERIAL:																	
WEIGHT:																	
		PCB sample															
		DWG NO. PT-165-0-0-G-0	A3														
		SCALE:1:1	SHEET 3 OF 3														