

1

2

3

4

5

6

A

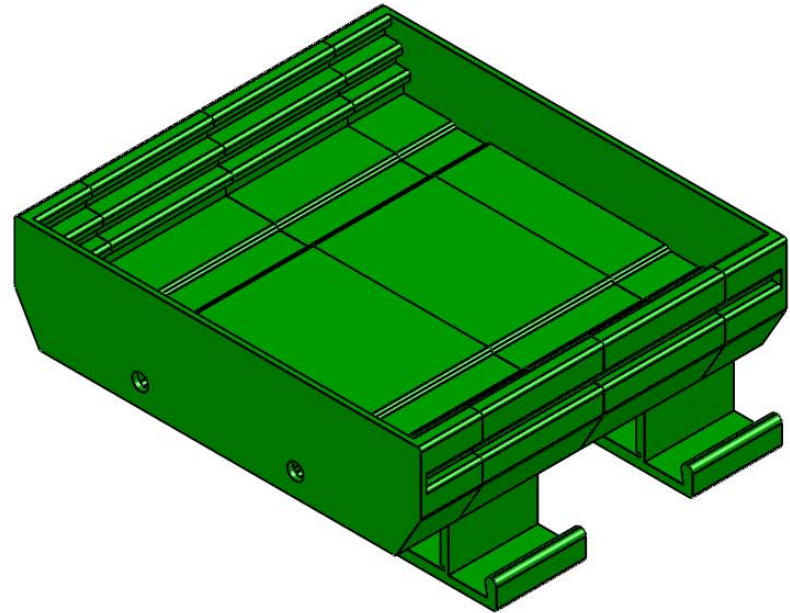
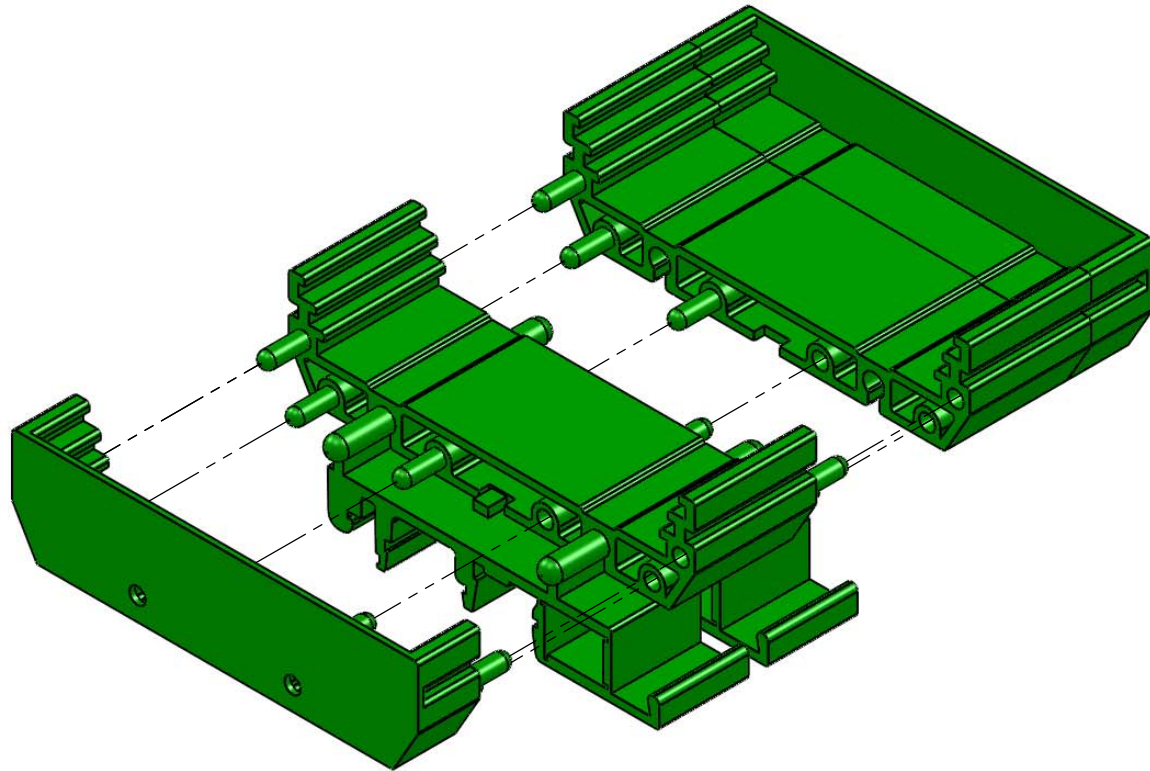
A

B



B

C

C



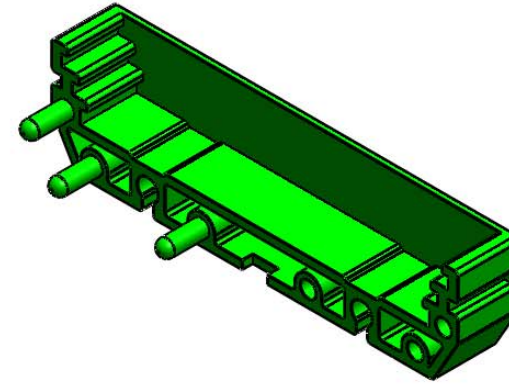
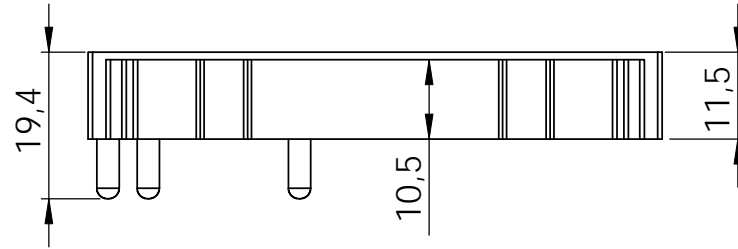
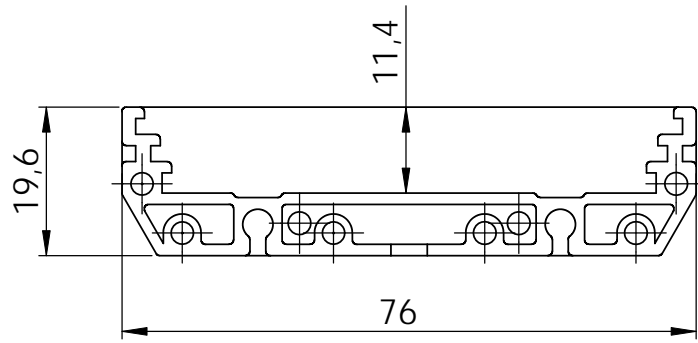
D


|         |   |      |   |              |   |
|---------|---|------|---|--------------|---|
|         | NAME  | DATE | ARTICLE NO:   | REVISION:    | TITLE:  |
| DRAWN   | Dursun Daşdemir   |      |   |              |   |
| CHECKED | Ali Altınışık   |      | COMMENTS:   |              |   |
|         | <br><b>ALTINKAYA</b><br>ENCLOSURES FOR ELECTRONICS<br><a href="http://www.altinkaya.com.tr">www.altinkaya.com.tr</a>  |      | DIMENSIONS ARE IN MILLIMETERS,<br>DEBUR AND BREAK SHARP EDGES |              |   |
|         | <b>PROPRIETARY AND CONFIDENTIAL</b><br>THE INFORMATION CONTAINED IN THIS DRAWING IS<br>THE SOLE PROPERTY OF ALTINKAYA ENCLOSURES.<br>ANY REPRODUCTION IN PART OR AS A WHOLE<br>WITHOUT THE WRITTEN PERMISSION OF ALTINKAYA<br>ENCLOSURES IS PROHIBITED. |      | MATERIAL:   | WEIGHT:      | DWG NO. <b>RT-072-Assembly</b>  |
|         |   |      |   | SCALE:1:2    | A4  |
|         |   |      |   | SHEET 1 OF 1 |  |

1

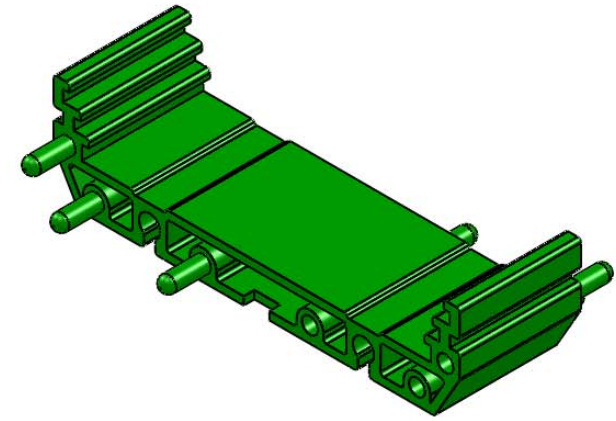
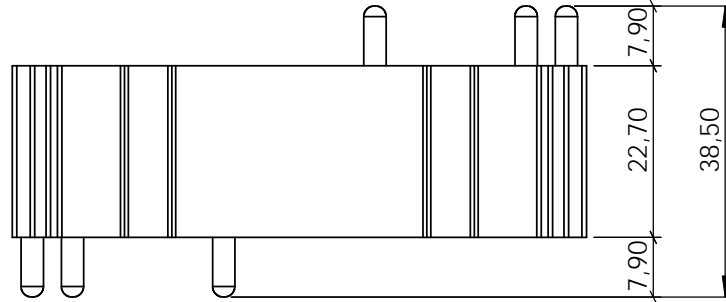
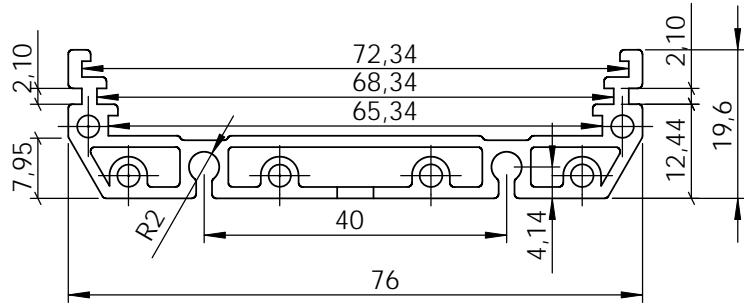
2






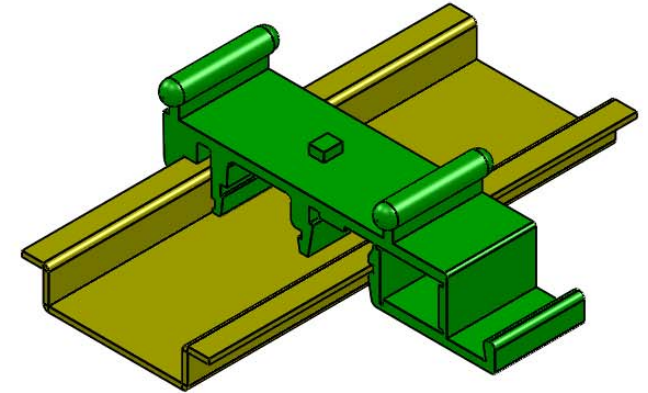
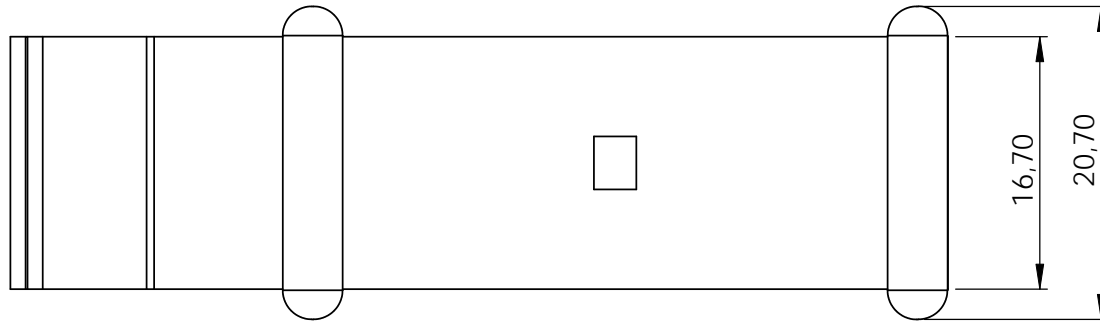
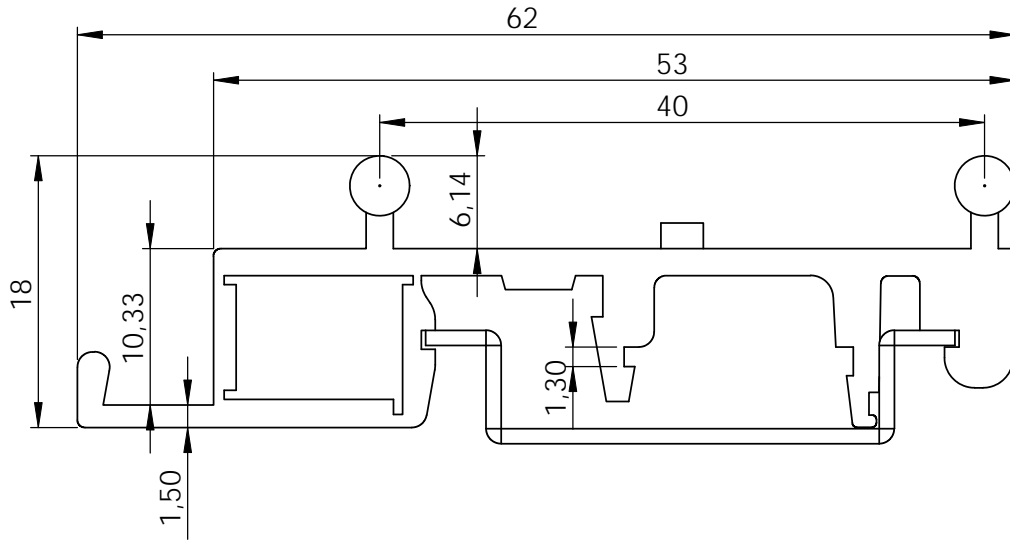
|   |                 |      |   |           |              |
|---|-----------------|------|---|-----------|--------------|
|   | NAME            | DATE | ARTICLE NO:   | REVISION: | TITLE:       |
| DRAWN   | Dursun Daşdemir |      |   |           |              |
| CHECKED   | Ali Altınışık   |      | COMMENTS:   |           |              |
| <br>ENCLOSURES FOR ELECTRONICS<br><a href="http://www.altinkaya.com.tr">www.altinkaya.com.tr</a>  |                 |      | DIMENSIONS ARE IN MILLIMETERS,<br>DEBUR AND BREAK SHARP EDGES |           |              |
| PROPRIETARY AND CONFIDENTIAL<br><small>THE INFORMATION CONTAINED IN THIS DRAWING IS THE SOLE PROPERTY OF ALTINKAYA ENCLOSURES. ANY REPRODUCTION IN PART OR AS A WHOLE WITHOUT THE WRITTEN PERMISSION OF ALTINKAYA ENCLOSURES IS PROHIBITED.</small> |                 |      | DWG NO. <b>RT-072 - yan</b>                                   |           | A4           |
| MATERIAL:   |                 |      | WEIGHT:   | SCALE:1:1 | SHEET 1 OF 1 |


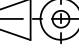




|  |                 |      |   |           |              |
|--|-----------------|------|---|-----------|--------------|
|  | NAME            | DATE | ARTICLE NO:   | REVISION: | TITLE:       |
| DRAWN  | Dursun Daşdemir |      |   |           |              |
| CHECKED  | Ali Altınışık   |      | COMMENTS:   |           |              |
| <br><b>ALTINKAYA</b><br>ENCLOSURES FOR ELECTRONICS<br><a href="http://www.altinkaya.com.tr">www.altinkaya.com.tr</a>   |                 |      | DIMENSIONS ARE IN MILLIMETERS,<br>DEBUR AND BREAK SHARP EDGES |           |              |
| <b>PROPRIETARY AND CONFIDENTIAL</b><br><small>THE INFORMATION CONTAINED IN THIS DRAWING IS THE SOLE PROPERTY OF ALTINKAYA ENCLOSURES. ANY REPRODUCTION IN PART OR AS A WHOLE WITHOUT THE WRITTEN PERMISSION OF ALTINKAYA ENCLOSURES IS PROHIBITED.</small> |                 |      | DWG NO. <b>RT-072</b>   |           | A4           |
| <b>MATERIAL:</b>   |                 |      | WEIGHT:   | SCALE:1:1 | SHEET 1 OF 1 |





|         |  |      |   |              |   |
|---------|--|------|---|--------------|---|
|         | NAME   | DATE | ARTICLE NO:   | REVISION:    | TITLE:  |
| DRAWN   | Dursun Daşdemir  |      |   |              |   |
| CHECKED | Ali Altınışık  |      | COMMENTS:   |              |   |
|         | <br>ENCLOSURES FOR ELECTRONICS<br><a href="http://www.altinkaya.com.tr">www.altinkaya.com.tr</a>   |      | DIMENSIONS ARE IN MILLIMETERS,<br>DEBUR AND BREAK SHARP EDGES |              |   |
|         | PROPRIETARY AND CONFIDENTIAL<br>THE INFORMATION CONTAINED IN THIS DRAWING IS<br>THE SOLE PROPERTY OF ALTINKAYA ENCLOSURES.<br>ANY REPRODUCTION IN PART OR AS A WHOLE<br>WITHOUT THE WRITTEN PERMISSION OF ALTINKAYA<br>ENCLOSURES IS PROHIBITED. |      | MATERIAL:   | WEIGHT:      | DWG NO. RT-072-DinRail-Lock   |
|         |  |      |   | SCALE:1:2    | A4  |
|         |  |      |   | SHEET 1 OF 1 |  |