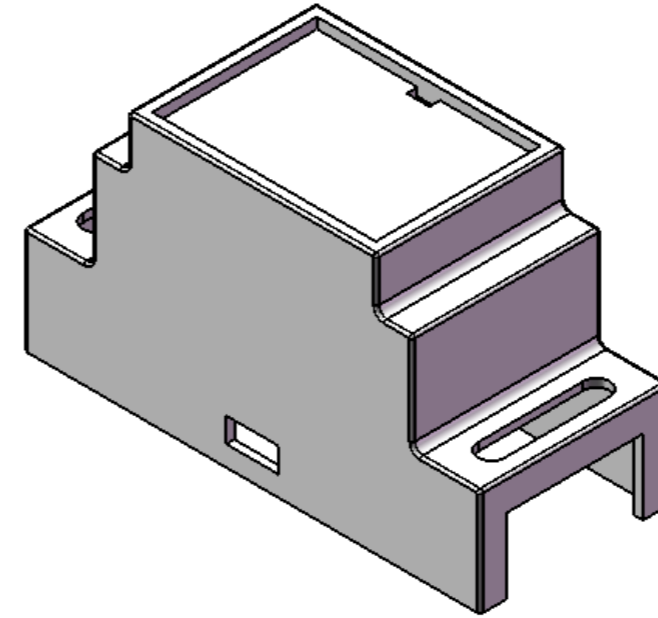
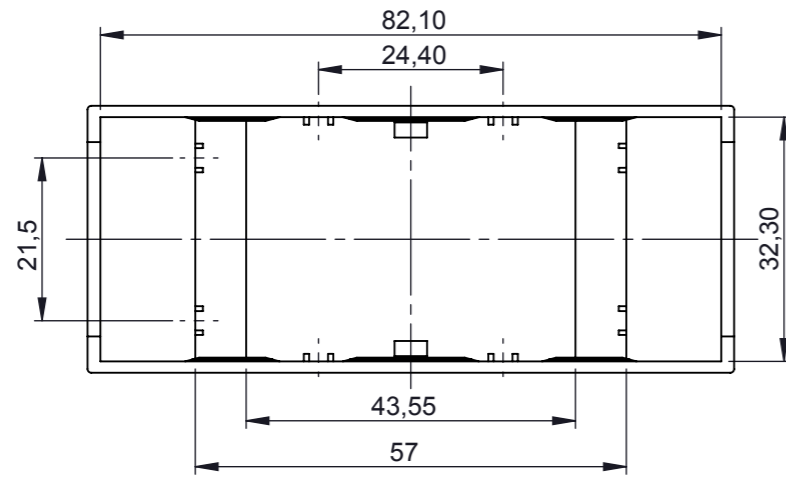
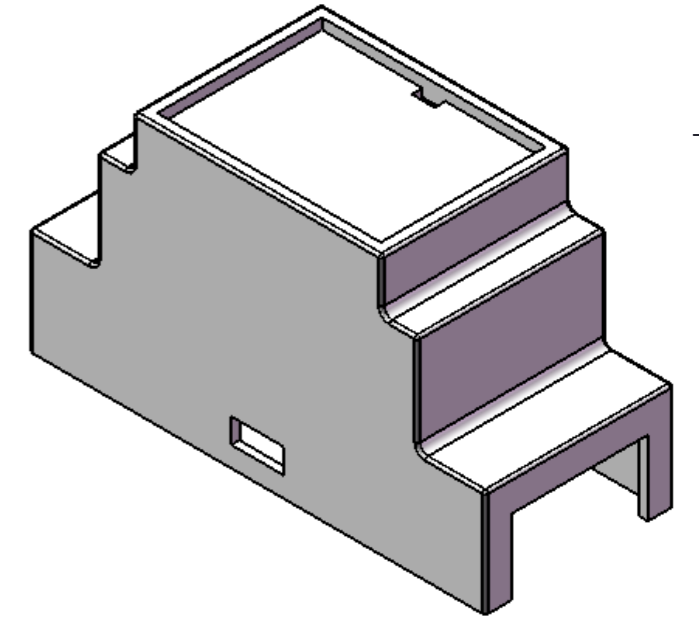


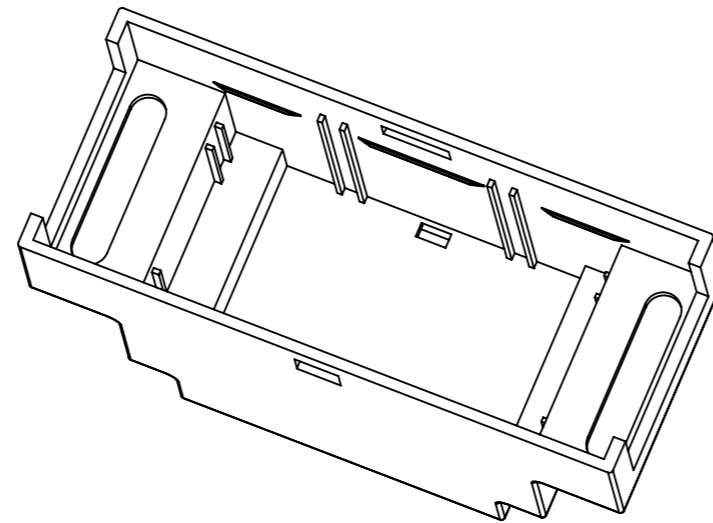
RT-102-A




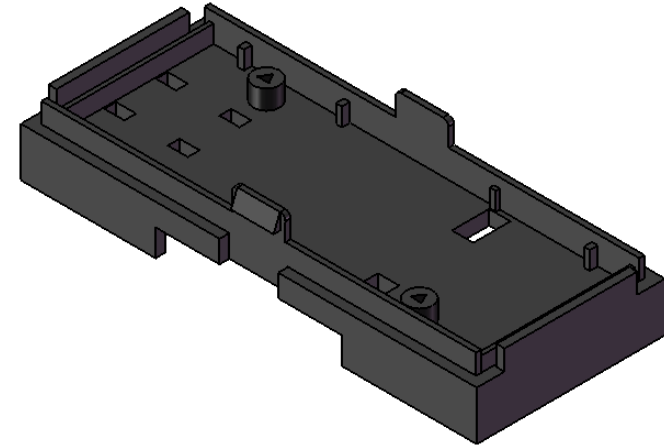
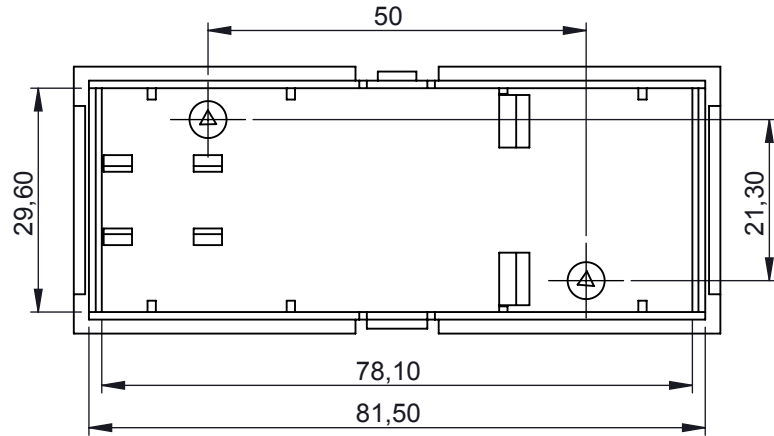
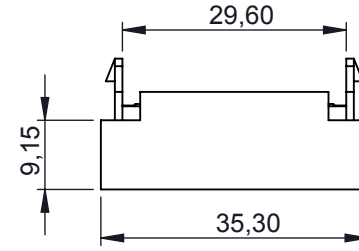
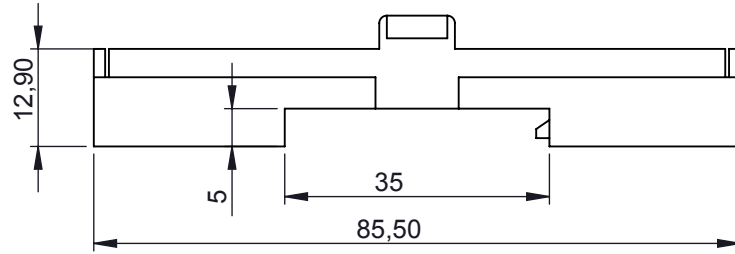
RT-102-C




RT-102-B



<small>PROPRIETARY AND CONFIDENTIAL THE INFORMATION CONTAINED IN THIS DRAWING IS THE SOLE PROPERTY OF ALTINKAYA ENCLOSURES. ANY REPRODUCTION IN PART OR AS A WHOLE WITHOUT THE WRITTEN PERMISSION OF ALTINKAYA ENCLOSURES IS PROHIBITED.</small>			ARTICLE NO.:	REVISION:
<small>DRAWN</small> Dursun Daşdemir 30.05.08 <small>CHECKED</small> Ali Altınışık 30.05.08 <small>COMMENTS:</small> <small>MATERIAL:</small> <small>WEIGHT:</small>			 <small>ENCLOSURES FOR ELECTRONICS</small>	<small>CONTACT:</small> <a href="http://www.altinkaya.com.tr">www.altinkaya.com.tr</a>
			<small>TITLE:</small> <h2>RT-102 Üst Kapak</h2>	
			<small>DWG NO.</small> <h2>ust_kapak</h2>	<small>A3</small>
			<small>SCALE:1:1</small>	<small>SHEET 1 OF 1</small>



NAME	DATE	ARTICLE NO:	REVISION:	TITLE:
DRAWN Dursun Daşdemir	30.05.08			RT-102 Alt Kapak
CHECKED Ali Altınışık	30.05.08	COMMENTS: DIMENSIONS ARE IN MILLIMETERS. DEBUR AND BREAK SHARP EDGES		
 <b>www.altinkaya.com.tr</b>		<b>PROPRIETARY AND CONFIDENTIAL</b> <small>THE INFORMATION CONTAINED IN THIS DRAWING IS THE SOLE PROPERTY OF ALTINKAYA ENCLOSURES. ANY REPRODUCTION IN PART OR AS A WHOLE WITHOUT THE WRITTEN PERMISSION OF ALTINKAYA ENCLOSURES IS PROHIBITED.</small>		DWG NO. alt_kapak
		MATERIAL:	WEIGHT:	SCALE:1:1
				SHEET 1 OF 1

A4

