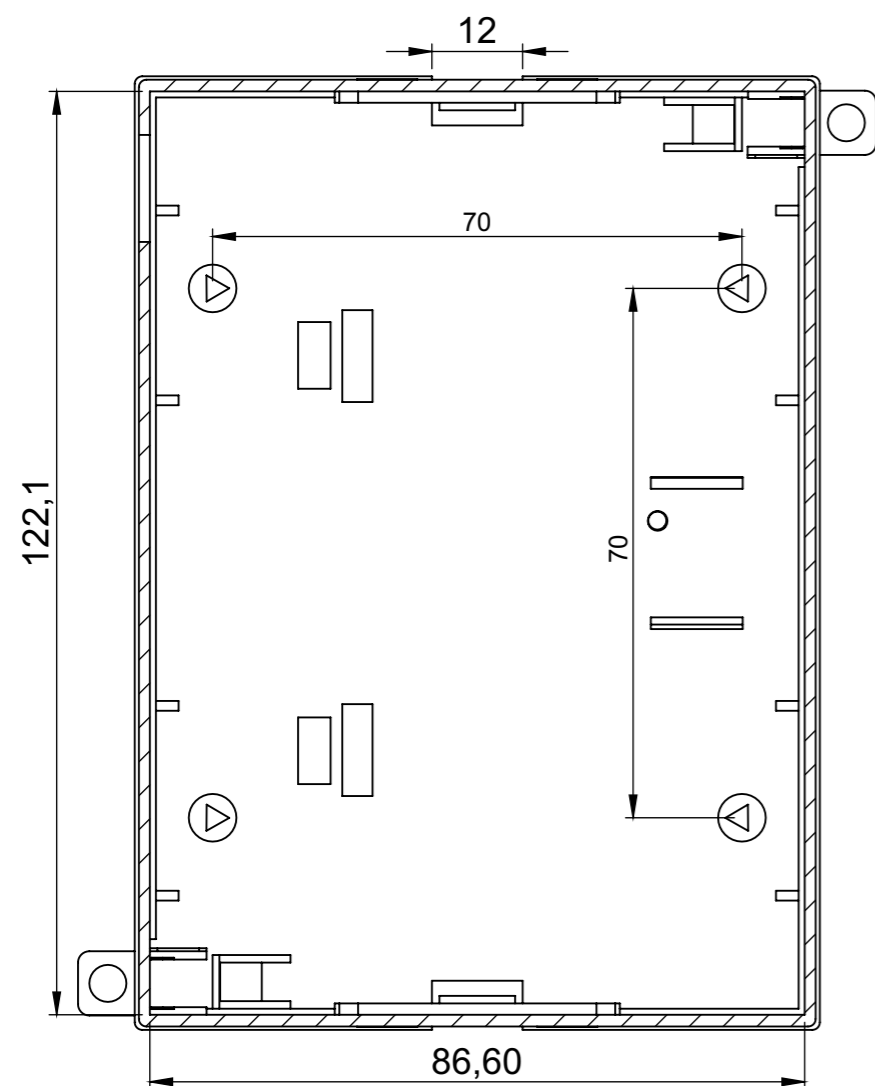


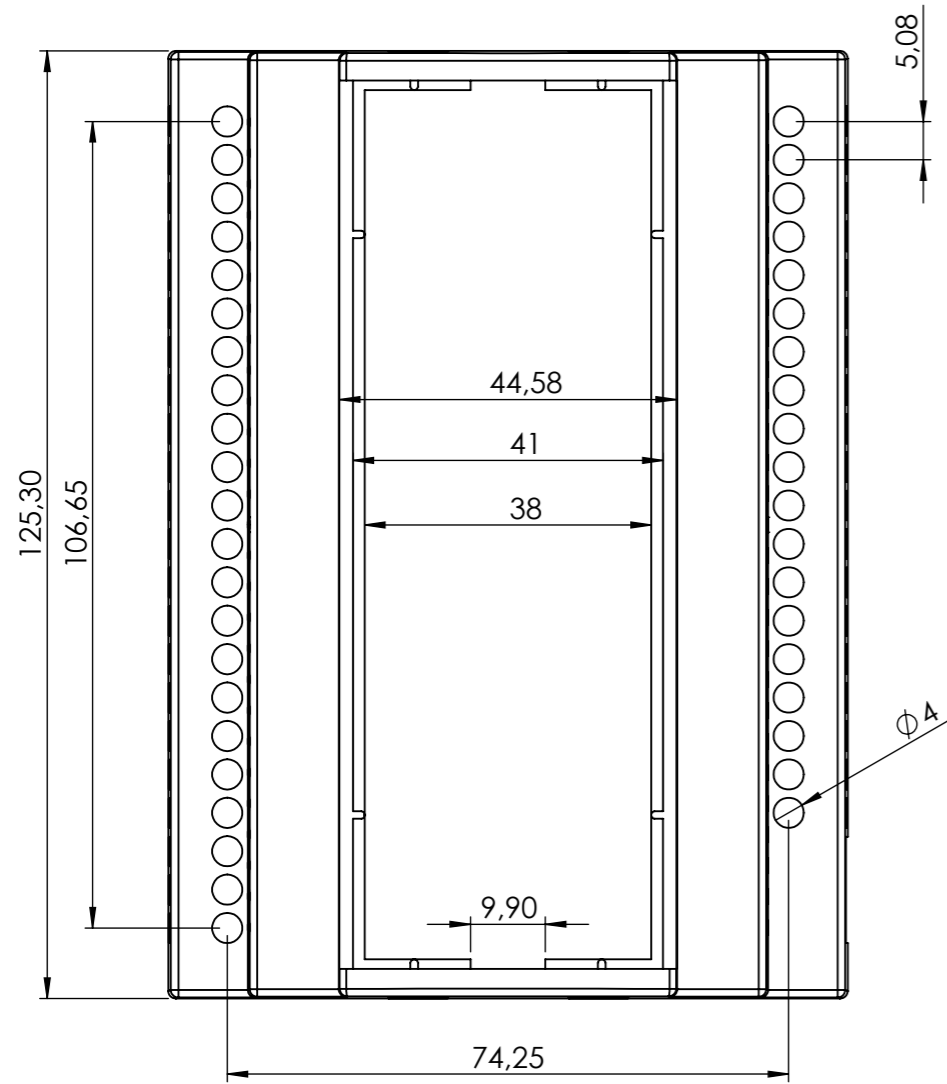
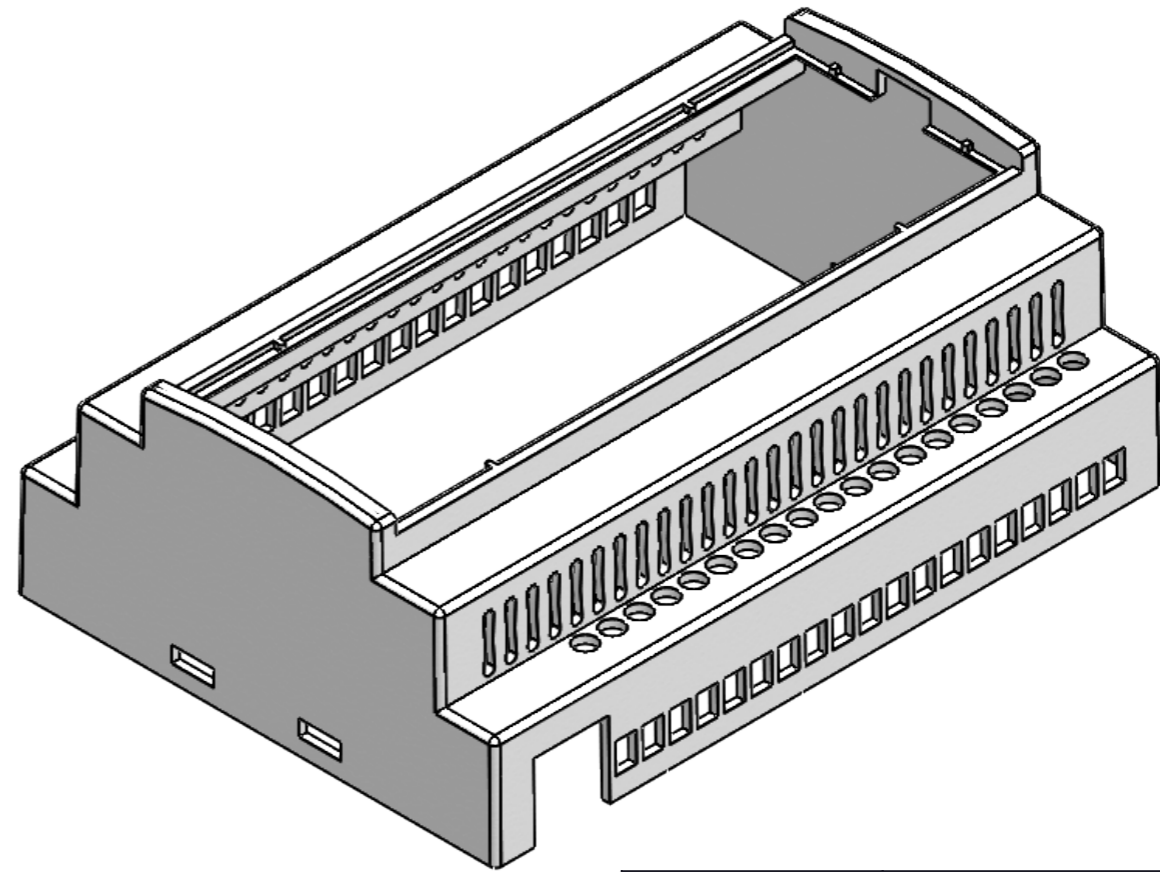
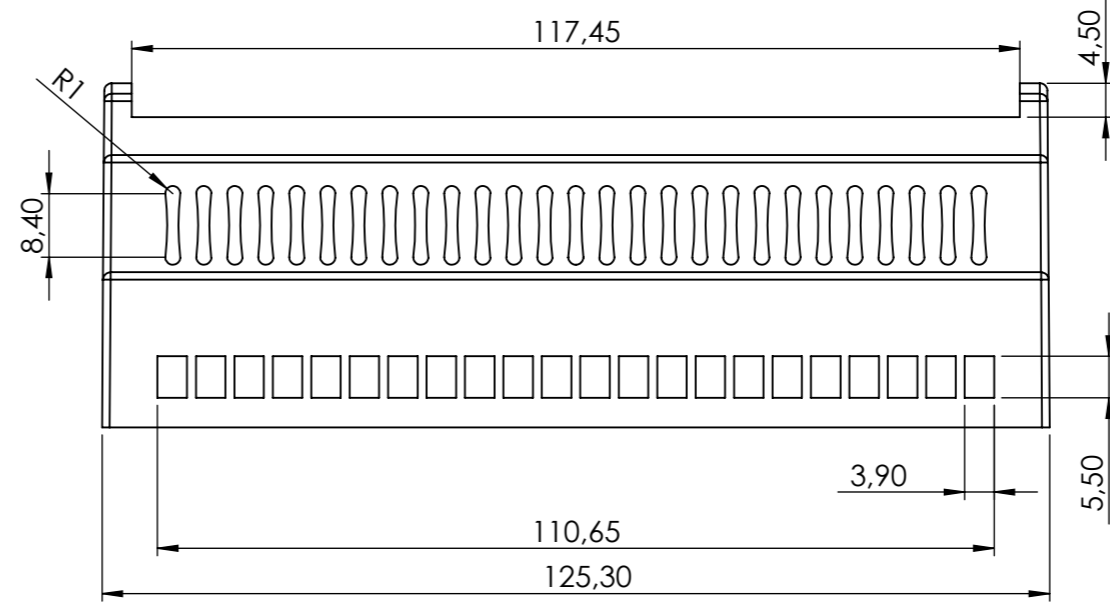
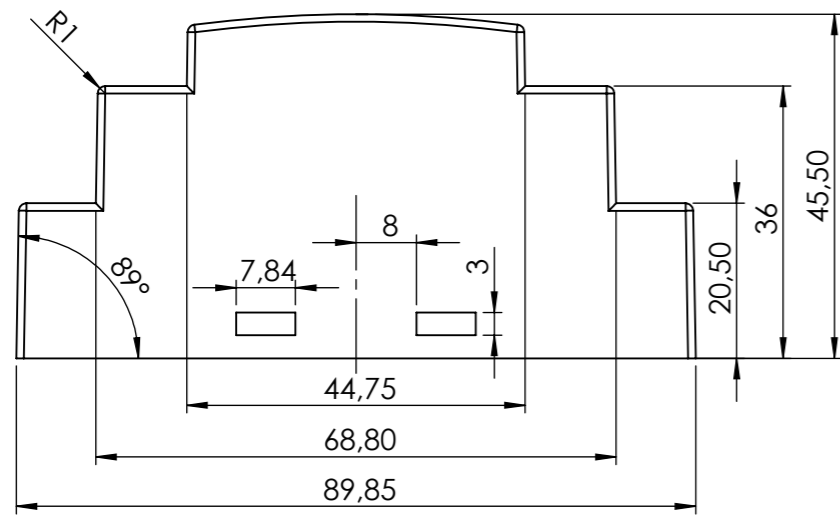



SECTION B-B
SCALE 1 : 1

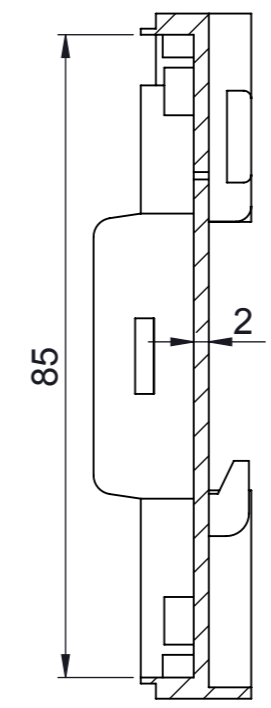
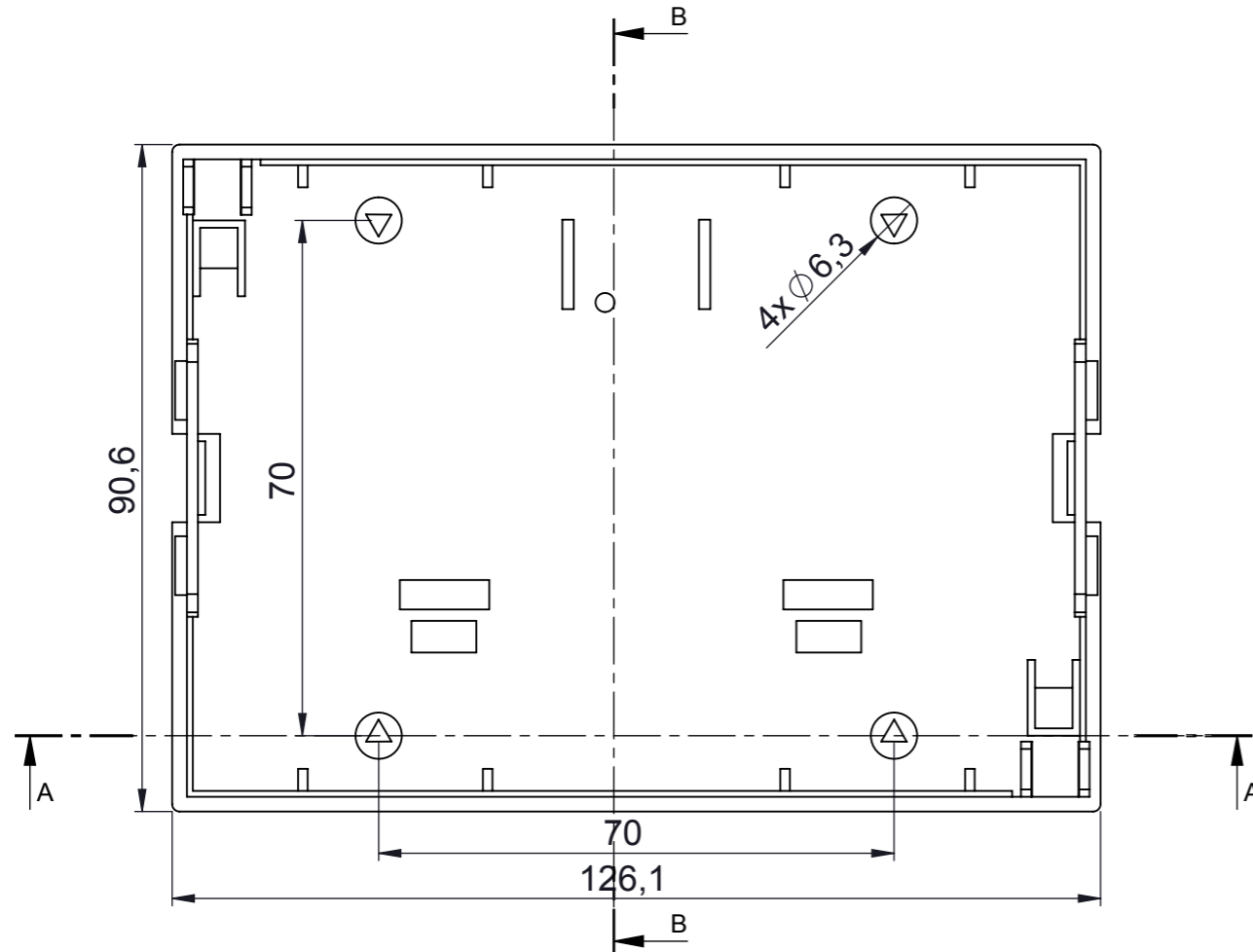


SECTION A-A
SCALE 1 : 1

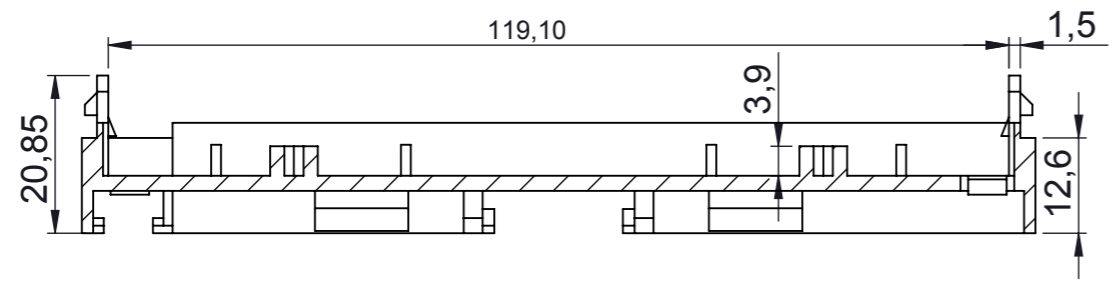
<small>PROPRIETARY AND CONFIDENTIAL THE INFORMATION CONTAINED IN THIS DRAWING IS THE SOLE PROPERTY OF ALTINKAYA ENCLOSURES. ANY REPRODUCTION IN PART OR AS A WHOLE WITHOUT THE WRITTEN PERMISSION OF ALTINKAYA ENCLOSURES IS PROHIBITED.</small>			ARTICLE NO:	REVISION:
<small>DRAWN Dursun Dağdemir 14.04.08 CHECKED Ali Altınışık 14.04.08</small>			 <small>ENCLOSURES FOR ELECTRONICS</small>	<small>CONTACT: www.altinkaya.com.tr</small>
<small>TITLE:</small> Rail Type Enclosure			<small>DWG NO.</small>	
<small>MATERIAL:</small>			<small>A3</small>	
<small>WEIGHT:</small>			<small>SCALE:1:1</small>	
<small>SHEET 1 OF 1</small>				



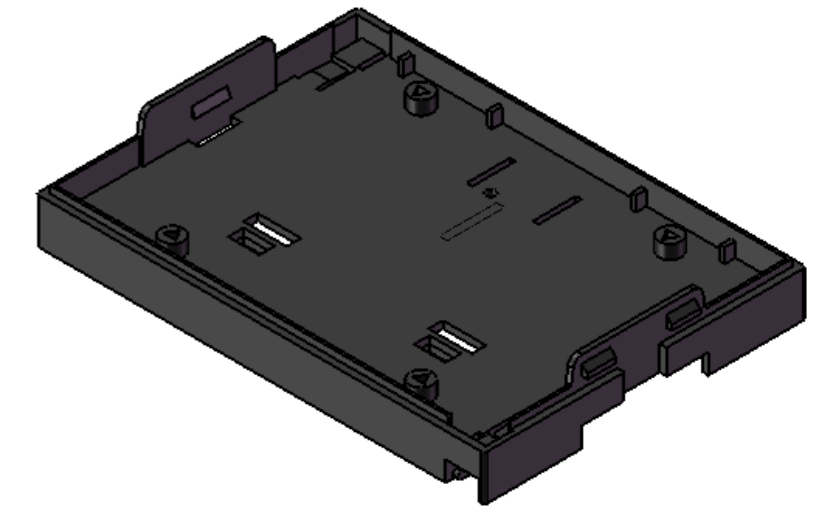
PROPRIETARY AND CONFIDENTIAL THE INFORMATION CONTAINED IN THIS DRAWING IS THE SOLE PROPERTY OF ALTINKAYA ENCLOSURES. ANY REPRODUCTION IN PART OR AS A WHOLE WITHOUT THE WRITTEN PERMISSION OF ALTINKAYA ENCLOSURES IS PROHIBITED.		ARTICLE NO:	REVISION:
DRAWN: Dursun Daşdemir CHECKED: Ali Altınışık COMMENTS:		 ALTINKAYA ENCLOSURES FOR ELECTRONICS	CONTACT: www.altinkaya.com.tr
MATERIAL:		TITLE:	
WEIGHT:		DWG NO: RT-107-TOP_BODY	A3
		SCALE:1:1	SHEET 1 OF 1


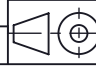


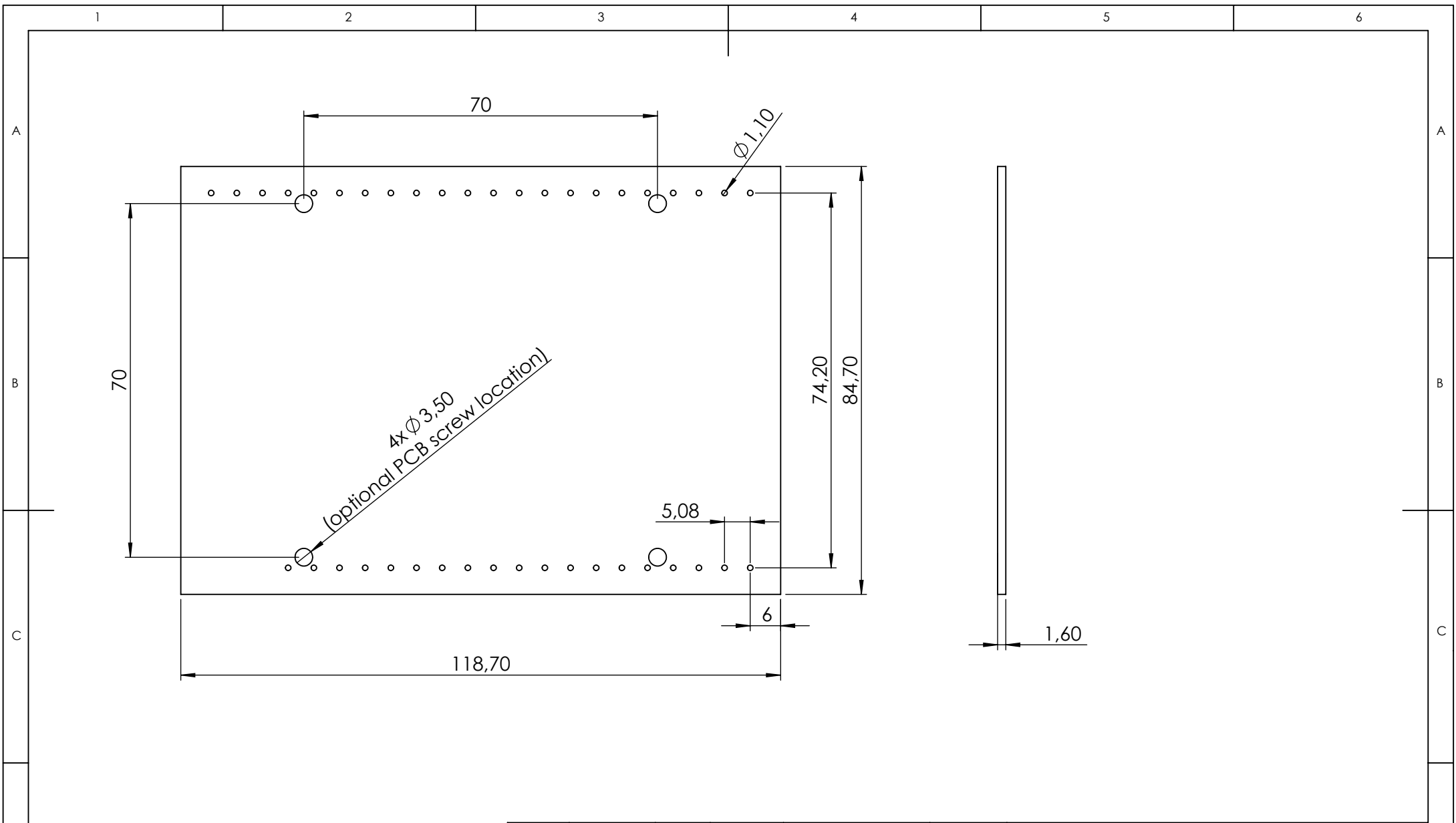
SECTION B-B
SCALE 1 : 1




SECTION A-A
SCALE 1 : 1



<small>PROPRIETARY AND CONFIDENTIAL THE INFORMATION CONTAINED IN THIS DRAWING IS THE SOLE PROPERTY OF ALTINKAYA ENCLOSURES. ANY REPRODUCTION IN PART OR AS A WHOLE WITHOUT THE WRITTEN PERMISSION OF ALTINKAYA ENCLOSURES IS PROHIBITED.</small>			ARTICLE NO:	REVISION:
<small>DRAWN</small> Dursun Daşdemir 14.04.08 <small>CHECKED</small> Ali Altınışık 14.04.08 <small>COMMENTS:</small> <small>MATERIAL:</small> <small>WEIGHT:</small>			 ALTINKAYA <small>ENCLOSURES FOR ELECTRONICS</small>	<small>CONTACT:</small> www.altinkaya.com.tr
			<h2>RT-107 Base</h2>	
			<small>DWG NO.</small> RT-107-P-3-S-0-10247	A3 
			<small>SCALE:</small> 1:1	<small>SHEET</small> 1 OF 1



	NAME	DATE	ARTICLE NO:	REVISION:	TITLE:
DRAWN	Dursun Dağdemir				
CHECKED	Ali Altınışık		COMMENTS:		
 ALTINKAYA ENCLOSURES FOR ELECTRONICS www.altinkaya.com.tr			DIMENSIONS ARE IN MILLIMETERS. DEBUR AND BREAK SHARP EDGES		
PROPRIETARY AND CONFIDENTIAL <small>THE INFORMATION CONTAINED IN THIS DRAWING IS THE SOLE PROPERTY OF ALTINKAYA ENCLOSURES. ANY REPRODUCTION IN PART OR AS A WHOLE WITHOUT THE WRITTEN PERMISSION OF ALTINKAYA ENCLOSURES IS PROHIBITED.</small>			DWG NO: RT-107_BOTTOM_PCB		A4
			MATERIAL:	WEIGHT:	SCALE: 1:1
					SHEET 1 OF 1

